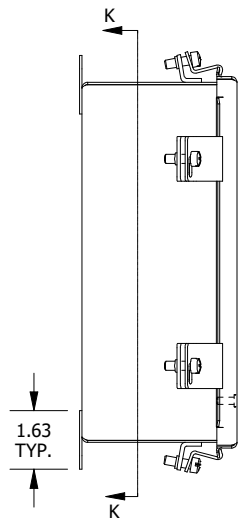
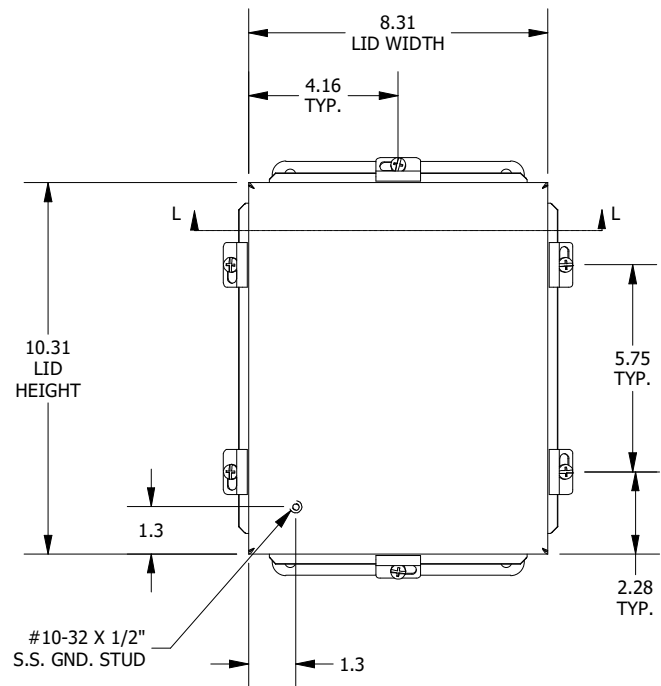


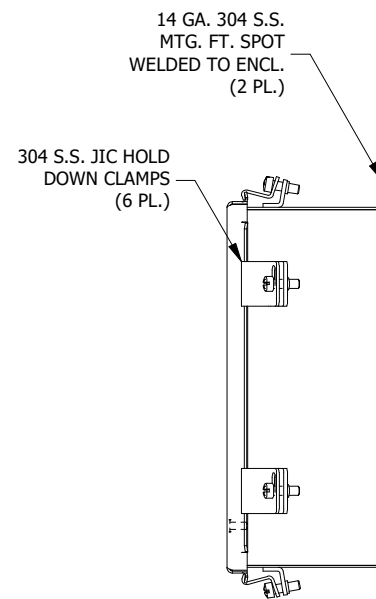
TOP VIEW



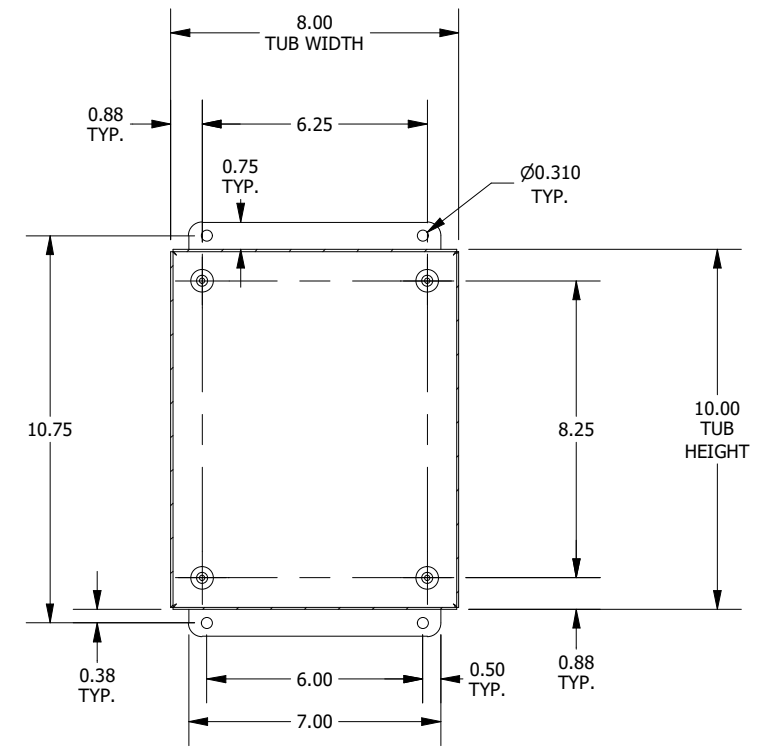
LEFT SIDE VIEW



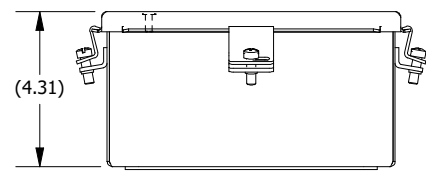
FRONT VIEW



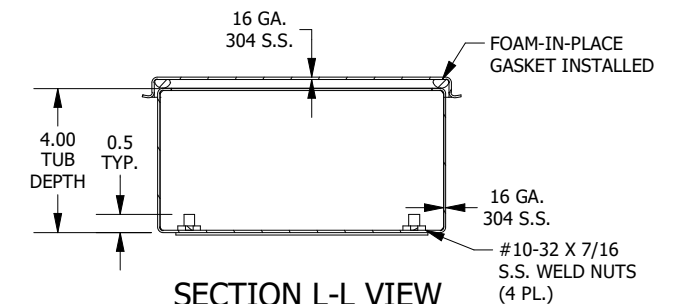
RIGHT SIDE VIEW



SECTION K-K VIEW  
(INSIDE BACK OF ENCL.)



BOTTOM VIEW



SECTION L-L VIEW  
(INSIDE TOP OF ENCL.)

PART #:BN4100804SS  
 (DATA SUBJECT TO CHANGE WITHOUT NOTICE)  
 THIS DRAWING IS THE PROPERTY OF HUBBELL INC. WIEGMANN  
 ALL INFORMATION IS PROPRIETARY AND NOT TO BE DUPLICATED