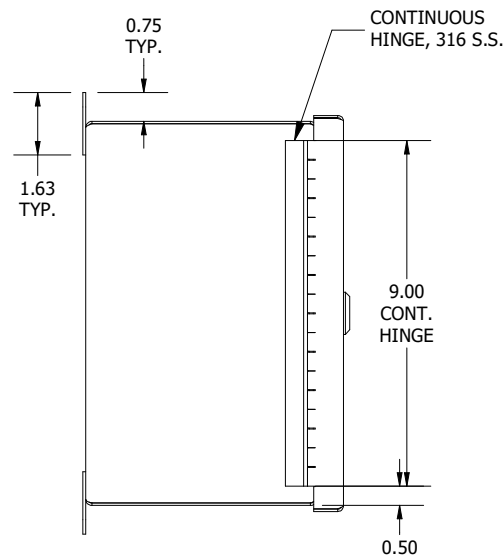
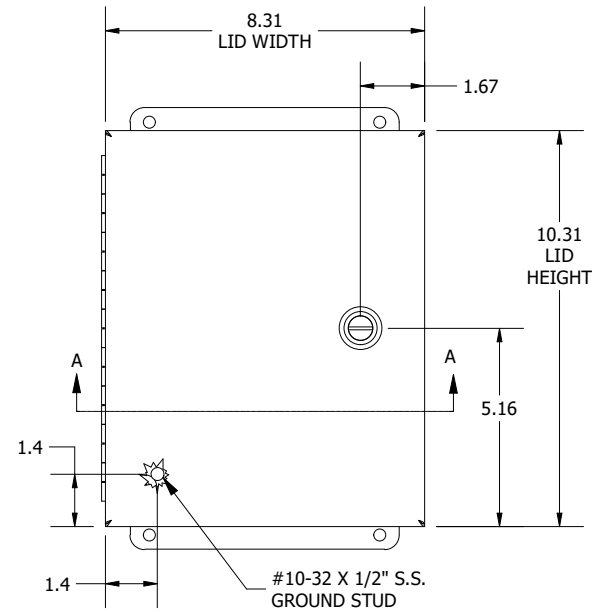


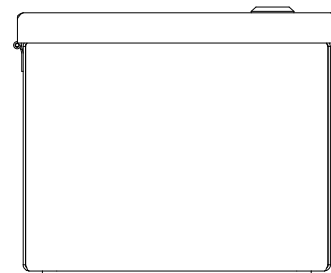
TOP VIEW



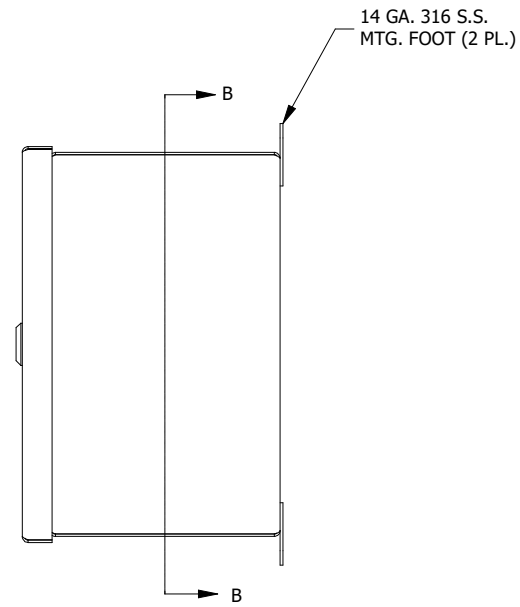
LEFT SIDE VIEW



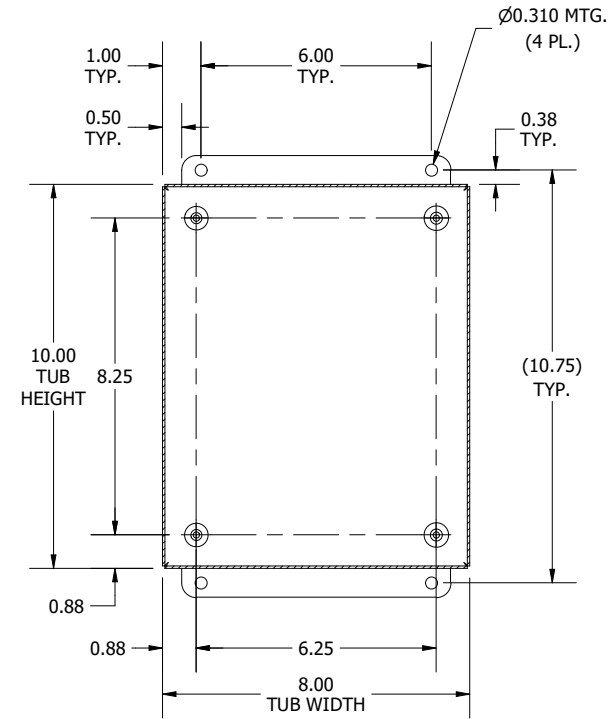
FRONT VIEW



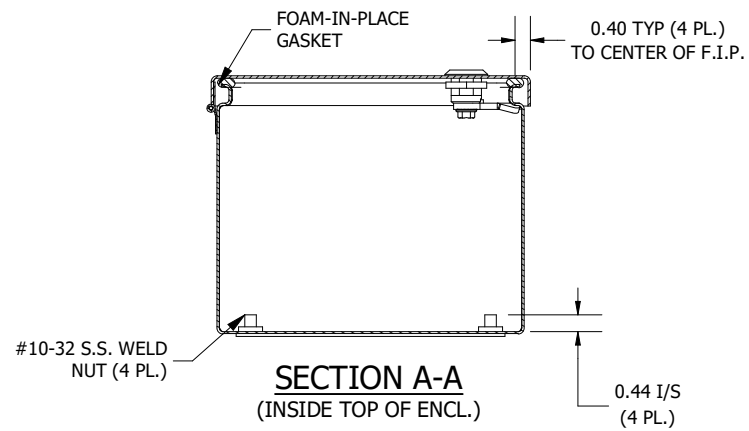
BOTTOM VIEW



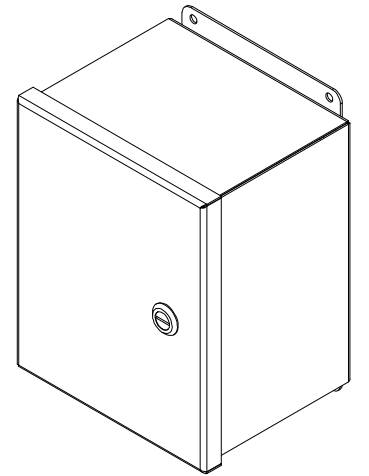
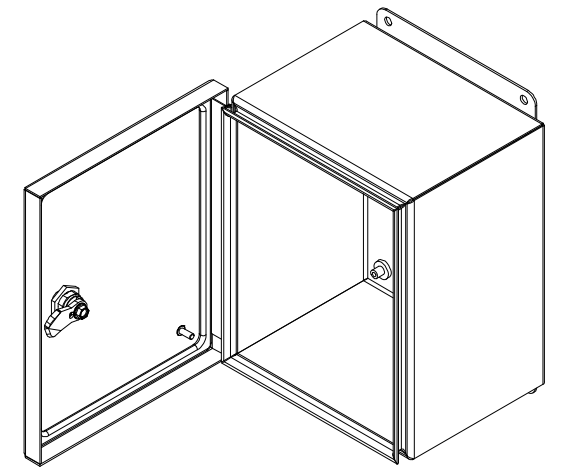
RIGHT SIDE VIEW



**SECTION B-B
(INSIDE BACK OF ENCL.)**



**SECTION A-A
(INSIDE TOP OF ENCL.)**



PART #:BN4100806CHQTSSA
 (DATA SUBJECT TO CHANGE WITHOUT NOTICE)
 THIS DRAWING IS THE PROPERTY OF HUBBELL INC. WIEGMANN
 ALL INFORMATION IS PROPRIETARY AND NOT TO BE DUPLICATED