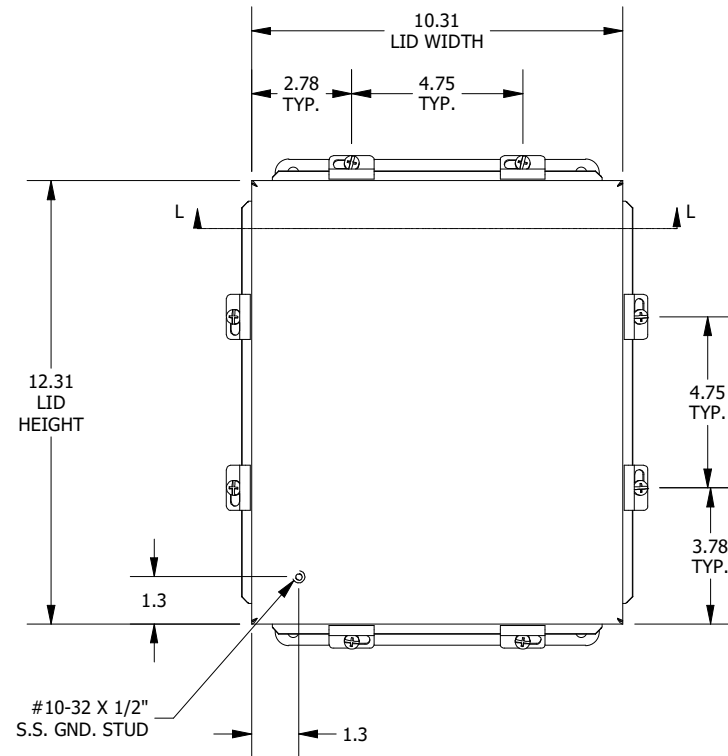
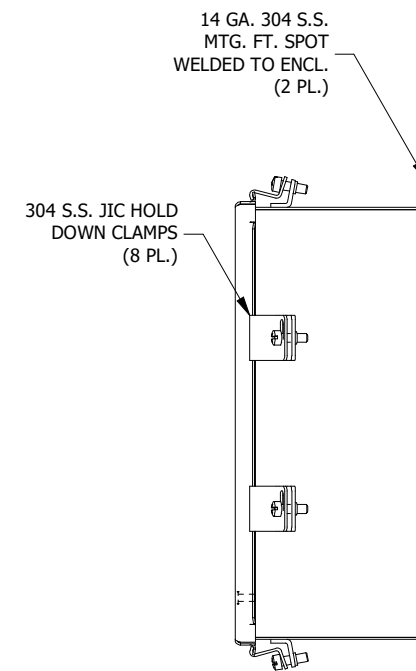


TOP VIEW

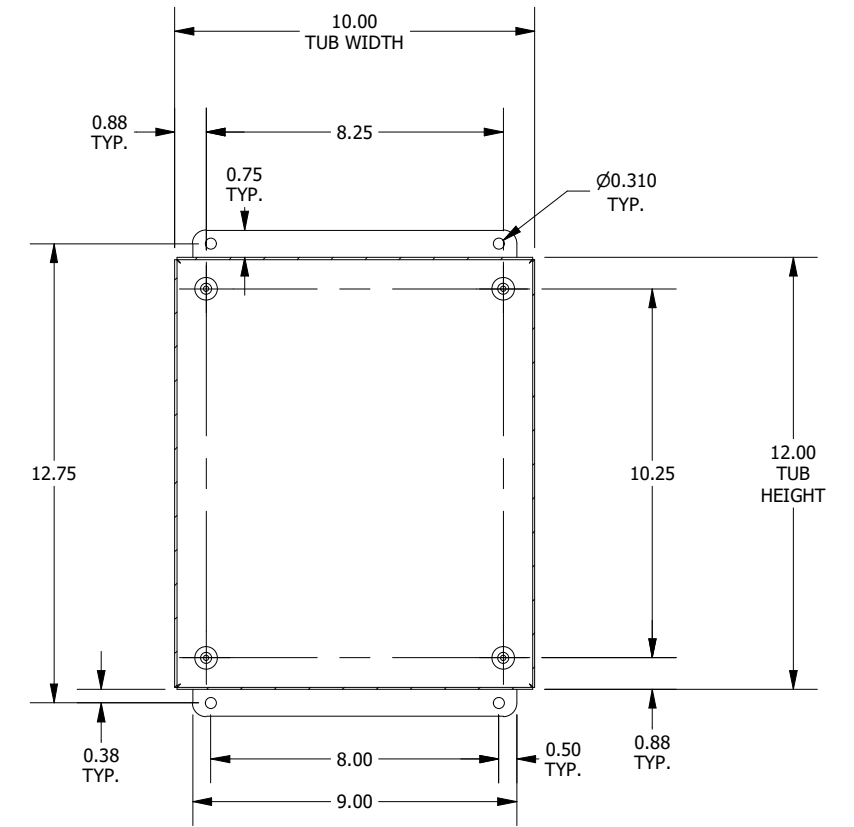
0.56



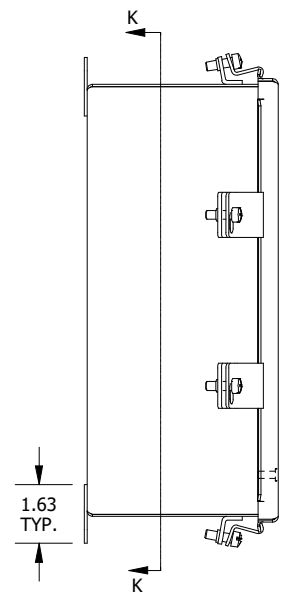
FRONT VIEW



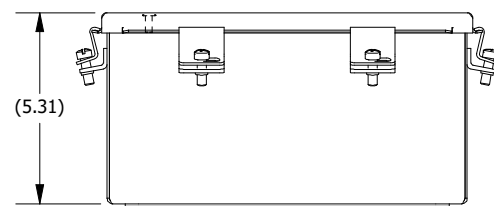
RIGHT SIDE VIEW



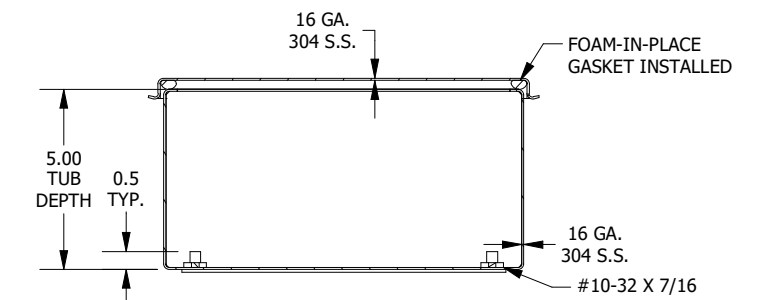
SECTION K-K VIEW
(INSIDE BACK OF ENCL.)



LEFT SIDE VIEW



BOTTOM VIEW



SECTION L-L VIEW
(INSIDE TOP OF ENCL.)

PART #:BN4121005SS
 (DATA SUBJECT TO CHANGE WITHOUT NOTICE)
 THIS DRAWING IS THE PROPERTY OF HUBBELL INC. WIEGMANN
 ALL INFORMATION IS PROPRIETARY AND NOT TO BE DUPLICATED