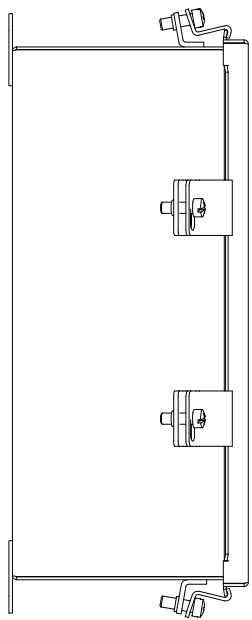
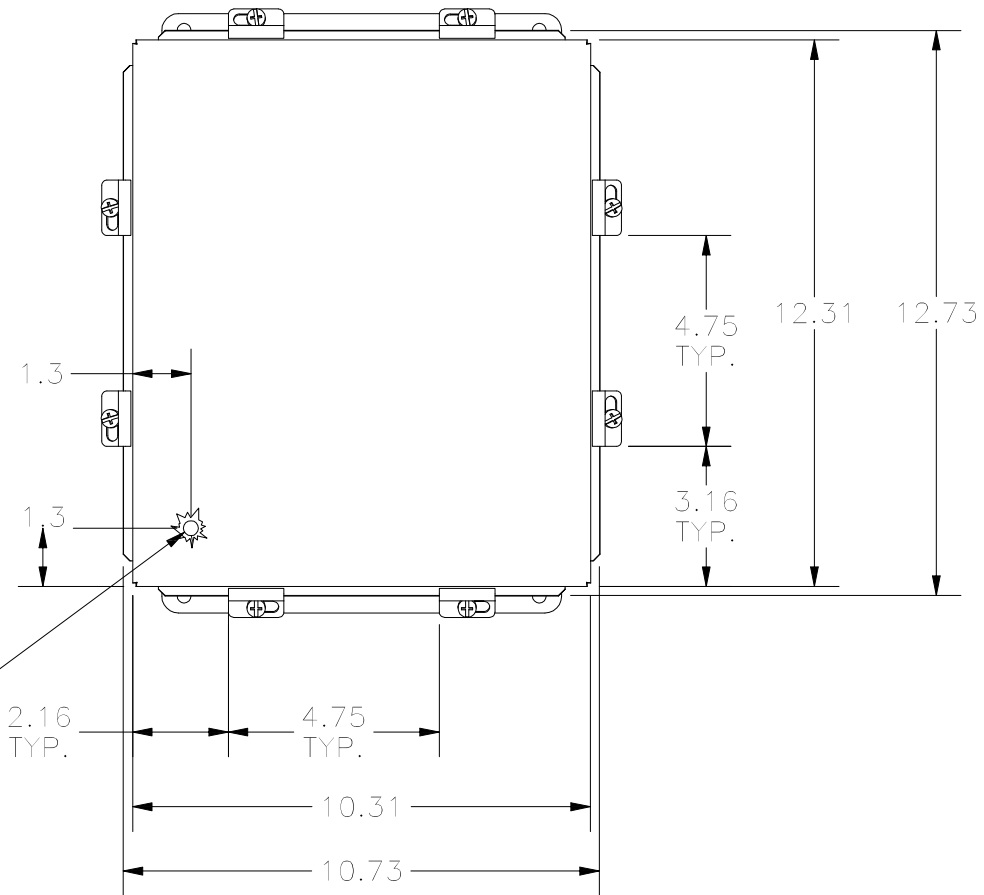


TOP VIEW

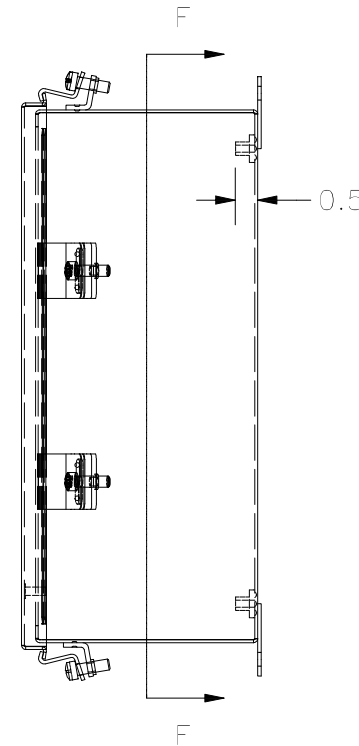


LEFT SIDE VIEW

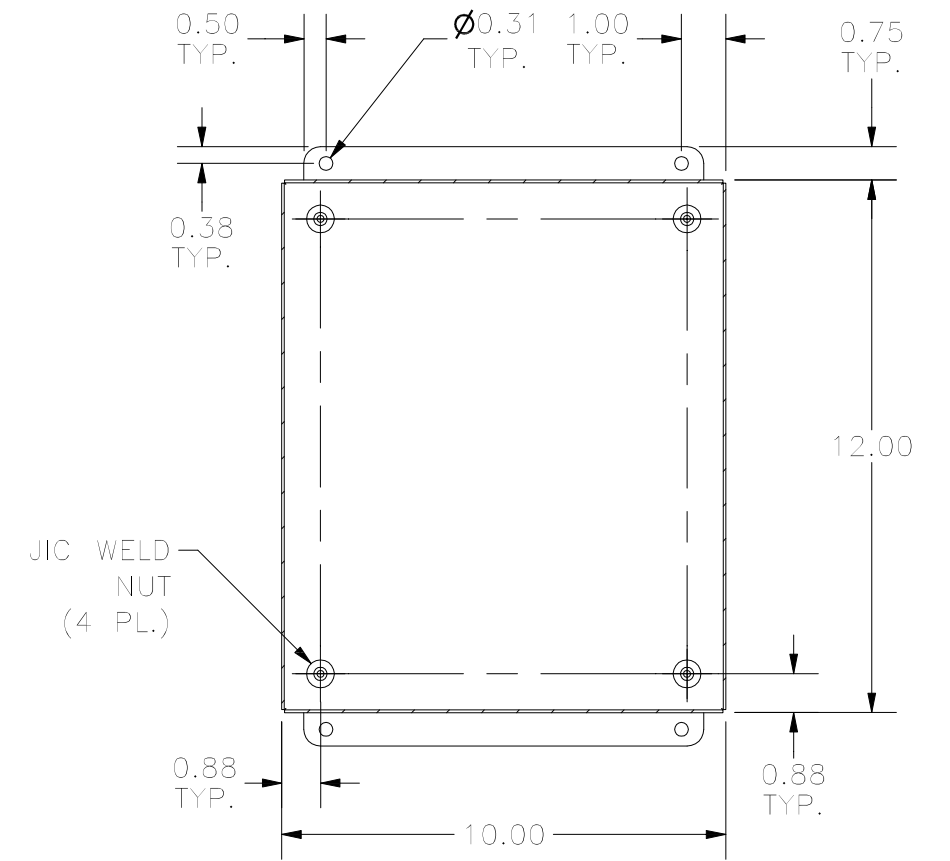


FRONT VIEW

10-32 X 1/2
GROUND STUD

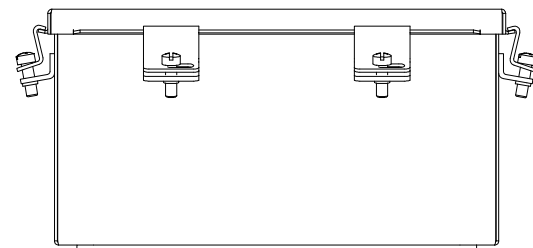


RIGHT SIDE VIEW



**SECTION F-F
(INSIDE BACK VIEW)**

JIC WELD
NUT
(4 PL.)



BOTTOM VIEW

PART#: BN4121005SSA
(DATA SUBJECT TO CHANGE WITHOUT NOTICE)

THIS DRAWING IS PROPERTY OF HUBBELL INC. WIEGMANN
ALL INFORMATION IS PROPRIETARY AND NOT TO BE DUPLICATED