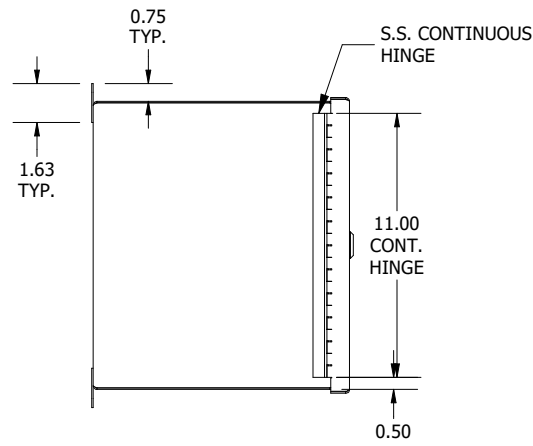
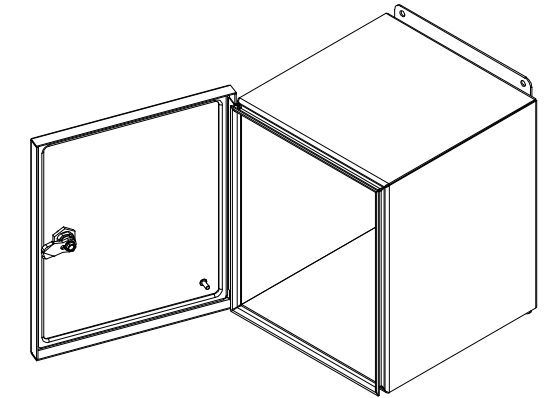
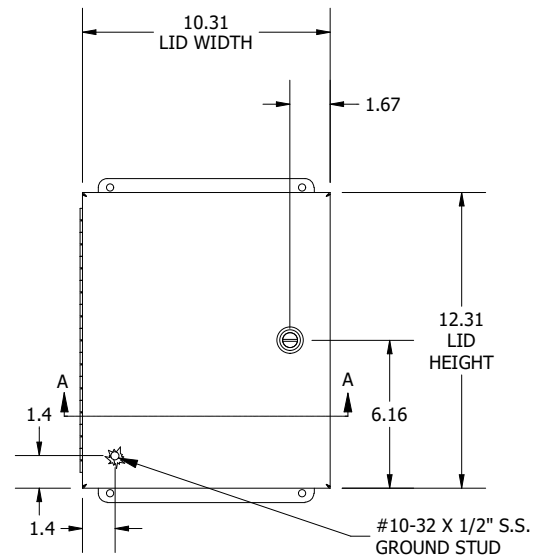


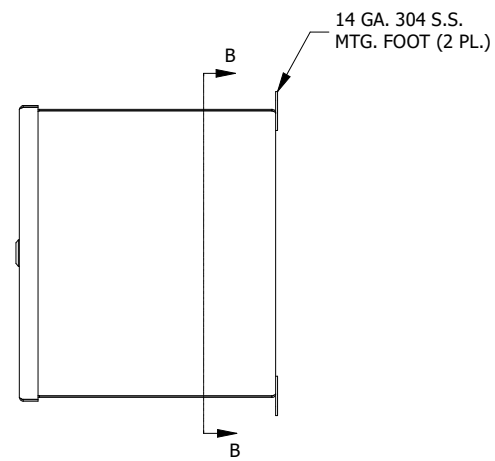
TOP VIEW



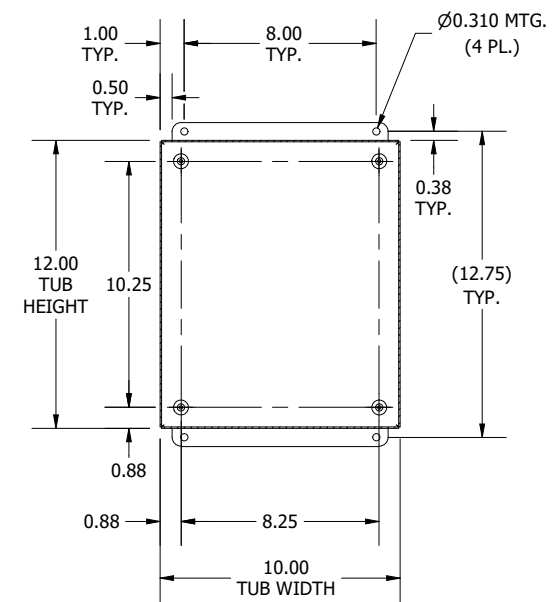
LEFT SIDE VIEW



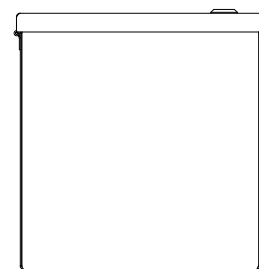
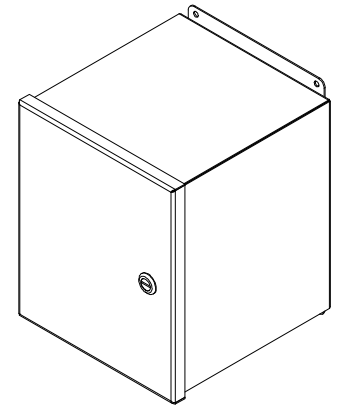
FRONT VIEW



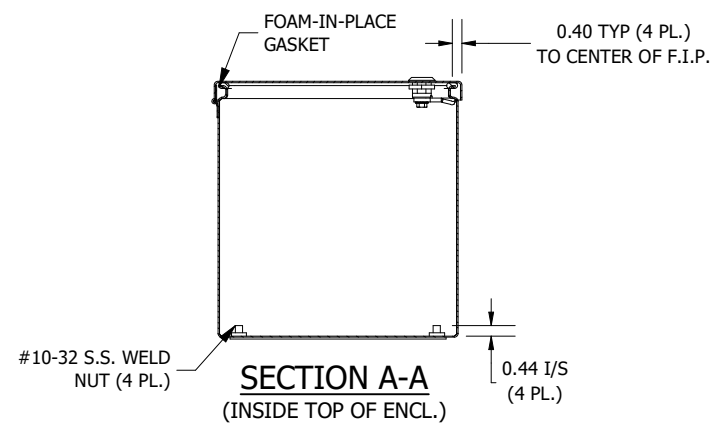
RIGHT SIDE VIEW



SECTION B-B  
(INSIDE BACK OF ENCL.)



BOTTOM VIEW



SECTION A-A  
(INSIDE TOP OF ENCL.)

PART #:BN4121010CHQTSS  
 (DATA SUBJECT TO CHANGE WITHOUT NOTICE)  
 THIS DRAWING IS THE PROPERTY OF HUBBELL INC. WIEGMANN  
 ALL INFORMATION IS PROPRIETARY AND NOT TO BE DUPLICATED