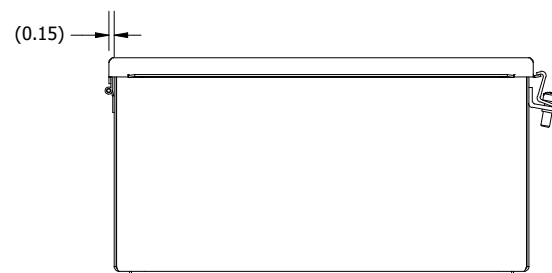


LEFT SIDE VIEW

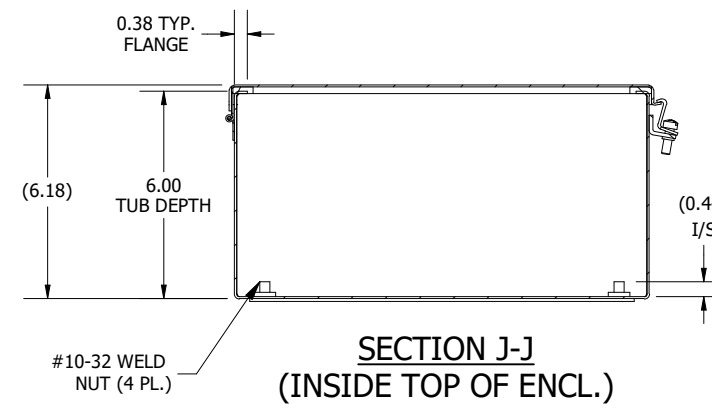
FRONT VIEW

RIGHT SIDE VIEW

SECTION F-F (INSIDE BACK OF ENCL.)



BOTTOM VIEW



SECTION J-J (INSIDE TOP OF ENCL.)

PART #:BN4141206CH
 (DATA SUBJECT TO CHANGE WITHOUT NOTICE)
 THIS DRAWING IS THE PROPERTY OF HUBBELL INC. WIEGMANN
 ALL INFORMATION IS PROPRIETARY AND NOT TO BE DUPLICATED