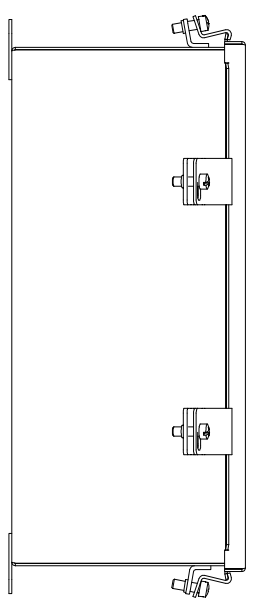
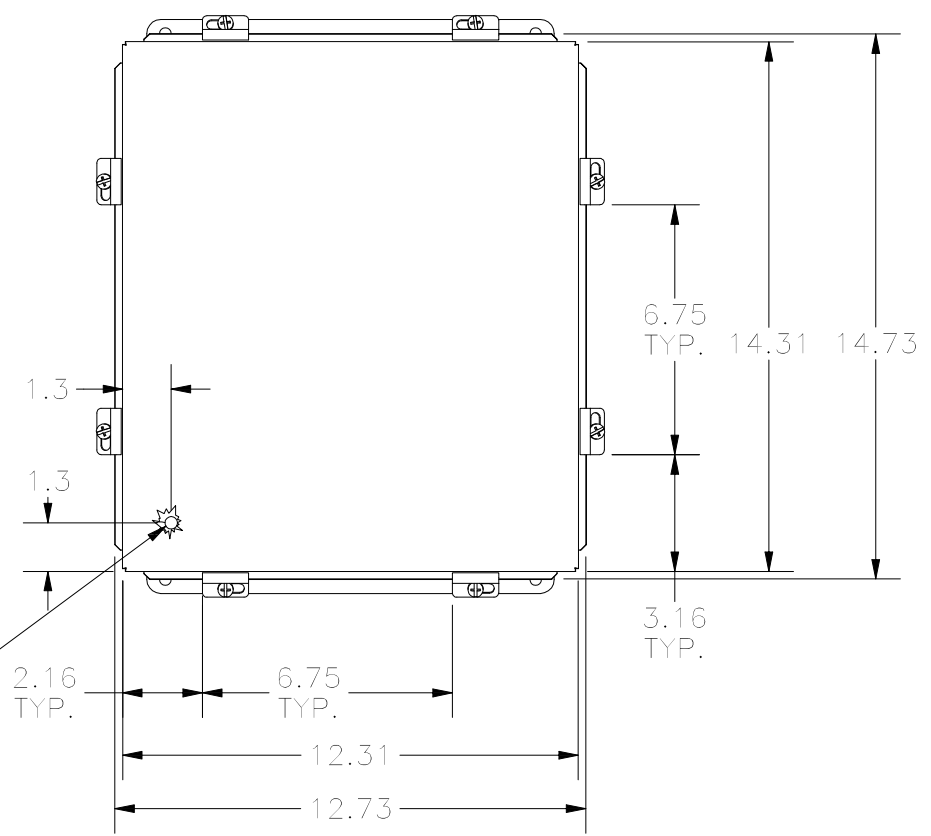


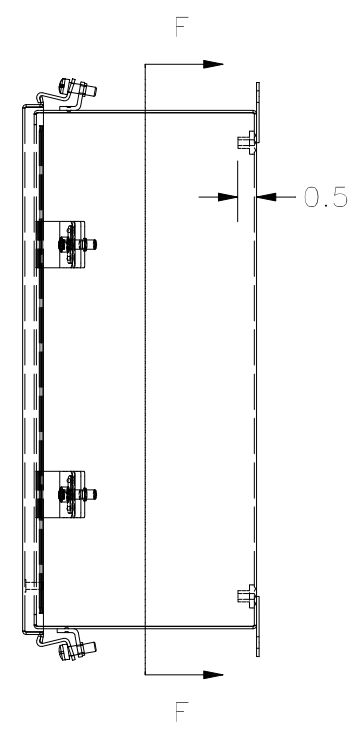
TOP VIEW



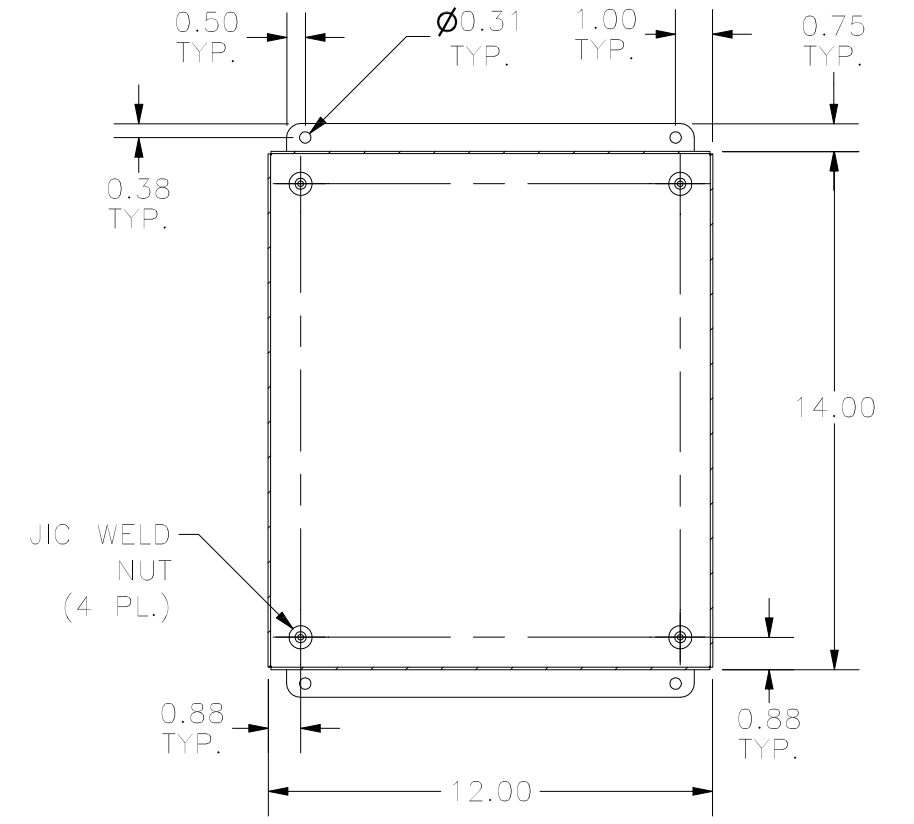
LEFT SIDE VIEW



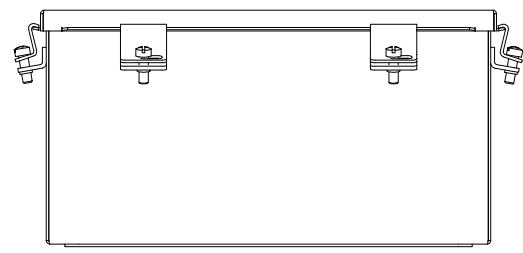
FRONT VIEW



RIGHT SIDE VIEW



SECTION F-F  
(INSIDE BACK VIEW)



BOTTOM VIEW

10-32 X 1/2  
GROUND STUD

JIC WELD  
NUT  
(4 PL.)

PART#: BN4141206SSA  
(DATA SUBJECT TO CHANGE WITHOUT NOTICE)

THIS DRAWING IS PROPERTY OF HUBBELL INC. WIEGMANN  
ALL INFORMATION IS PROPRIETARY AND NOT TO BE DUPLICATED