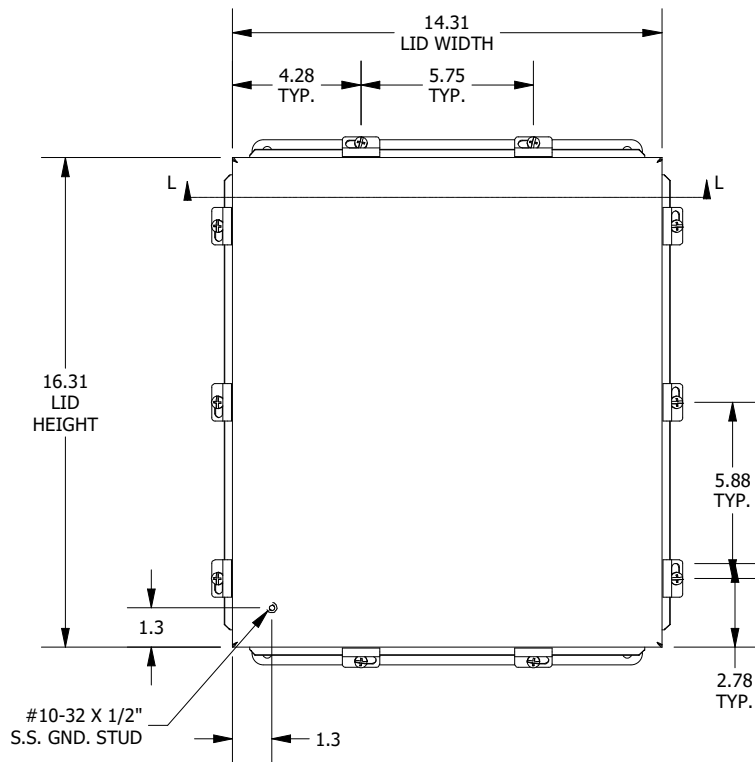
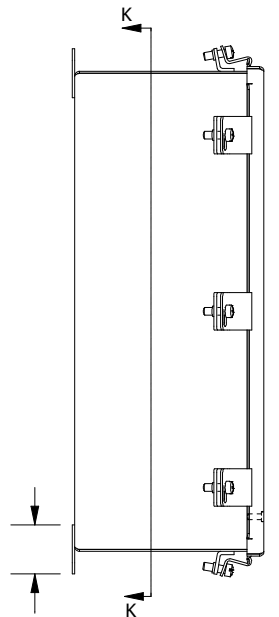


TOP VIEW

0.56

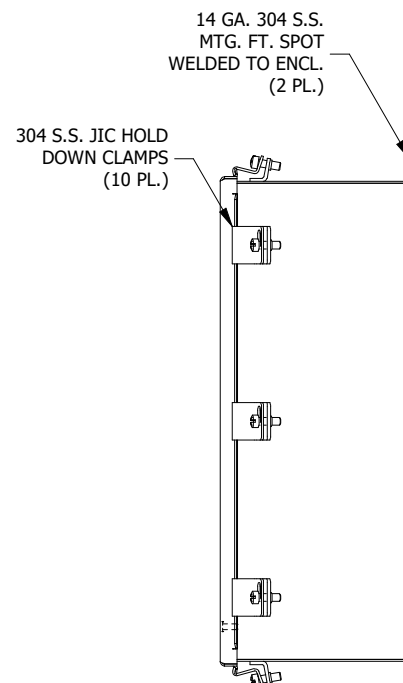


FRONT VIEW

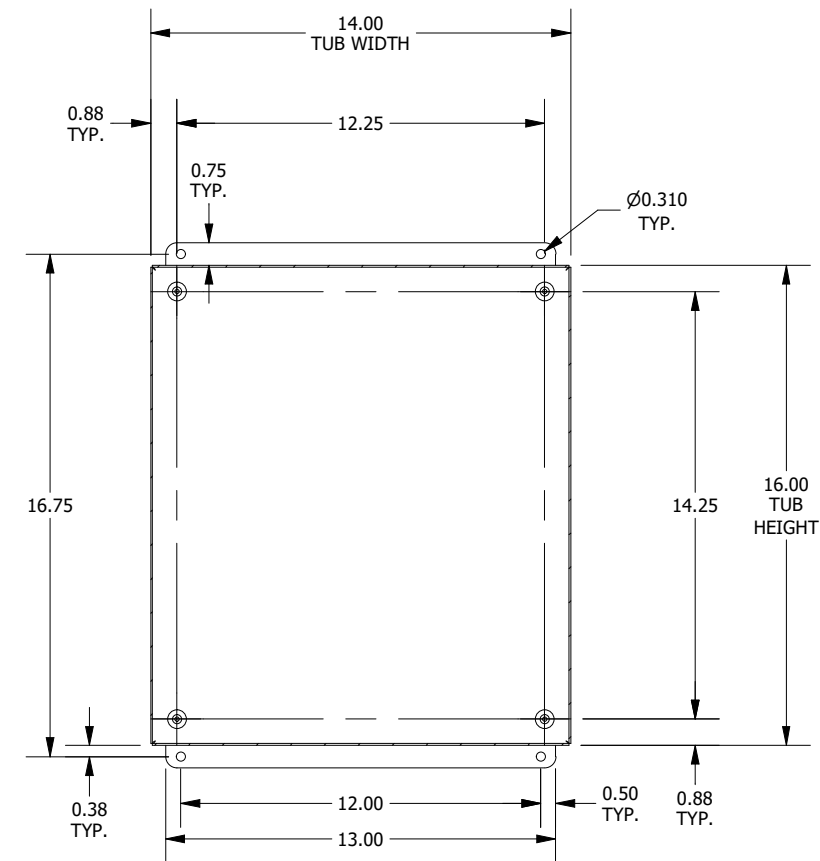


LEFT SIDE VIEW

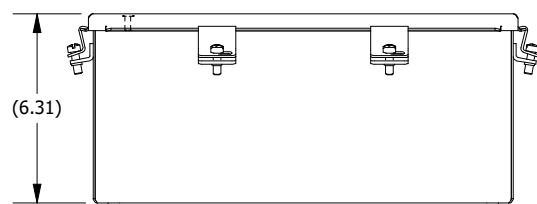
1.63 TYP.



RIGHT SIDE VIEW

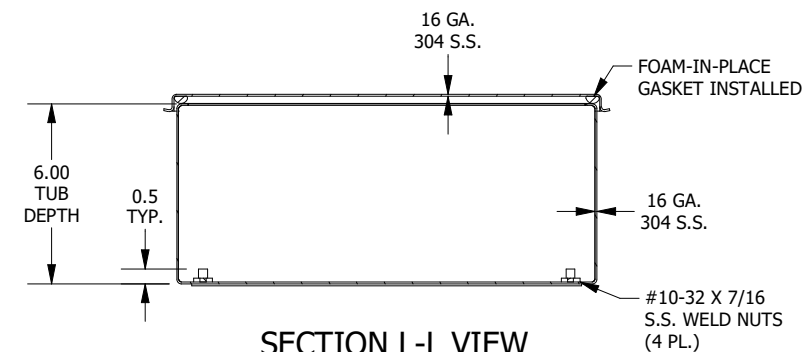


**SECTION K-K VIEW
(INSIDE BACK OF ENCL.)**



BOTTOM VIEW

(6.31)



**SECTION L-L VIEW
(INSIDE TOP OF ENCL.)**

PART #:BN4161406SS
 (DATA SUBJECT TO CHANGE WITHOUT NOTICE)
 THIS DRAWING IS THE PROPERTY OF HUBBELL INC. WIEGMANN
 ALL INFORMATION IS PROPRIETARY AND NOT TO BE DUPLICATED