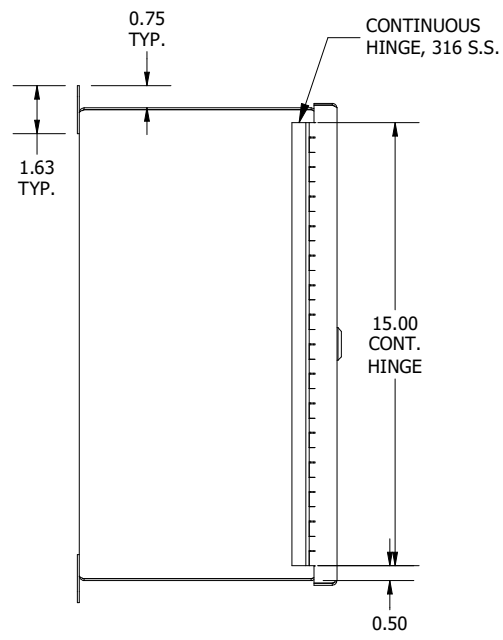
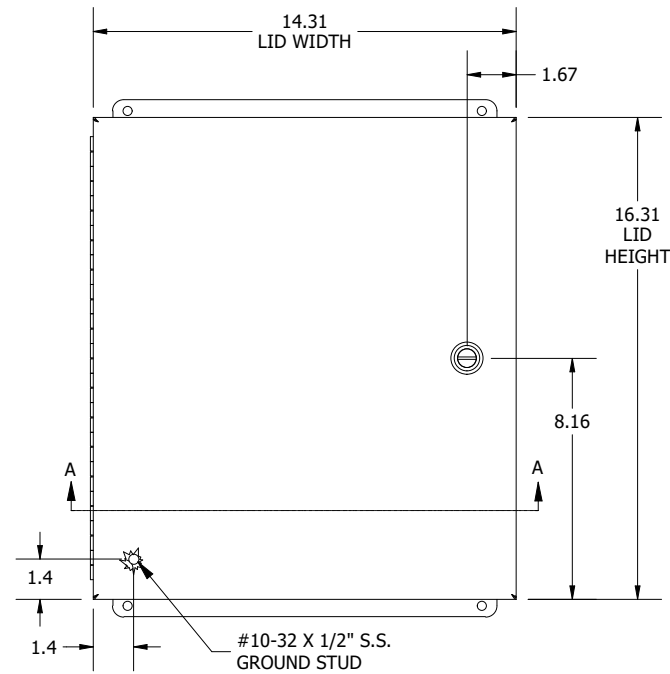


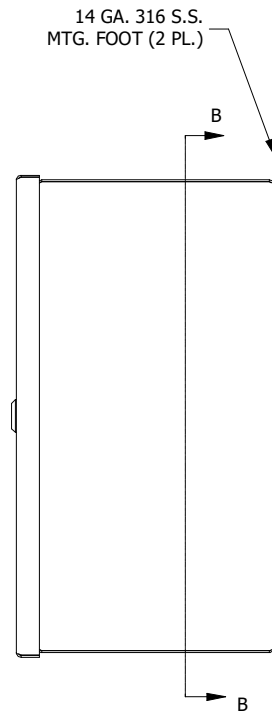
TOP VIEW



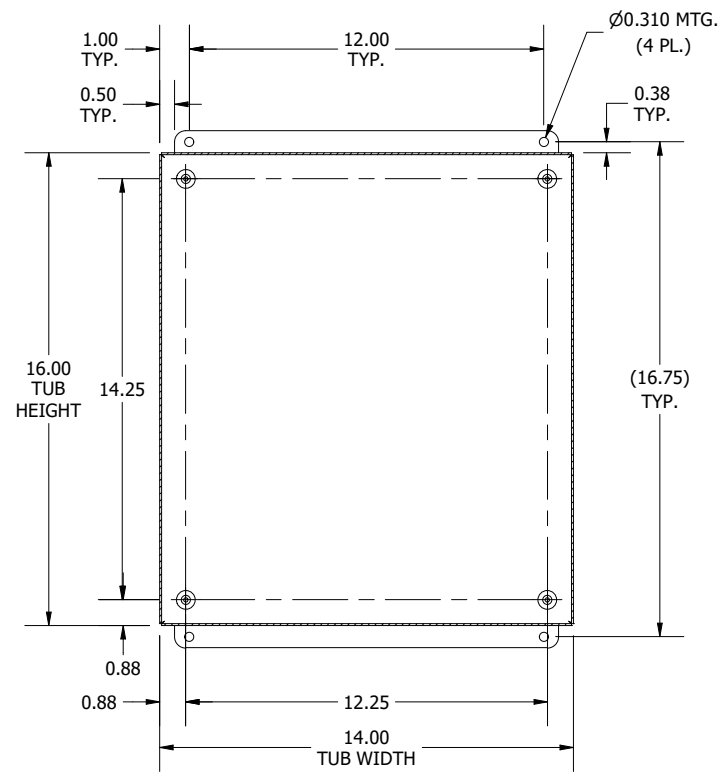
LEFT SIDE VIEW



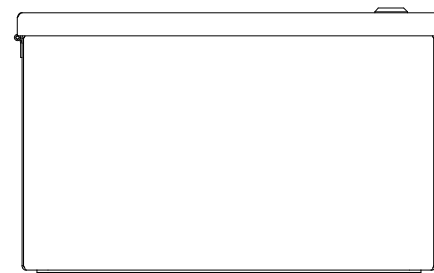
FRONT VIEW



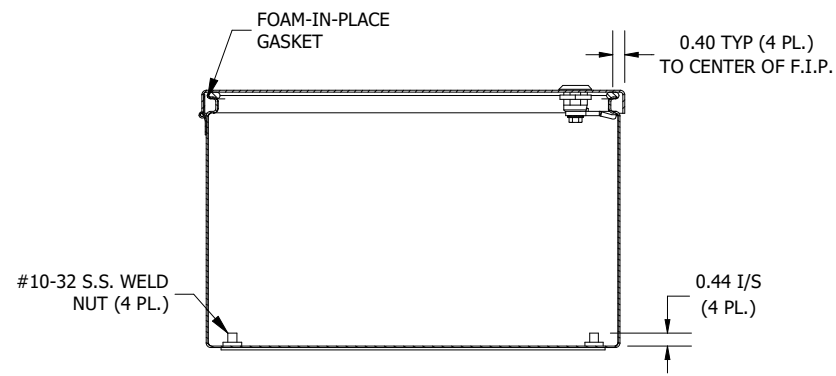
RIGHT SIDE VIEW



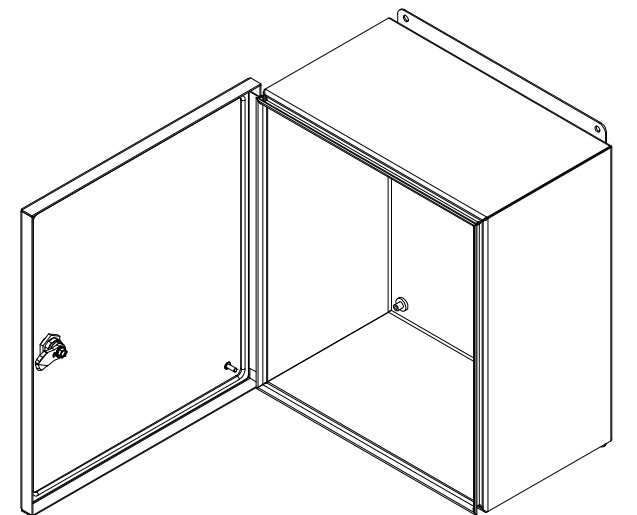
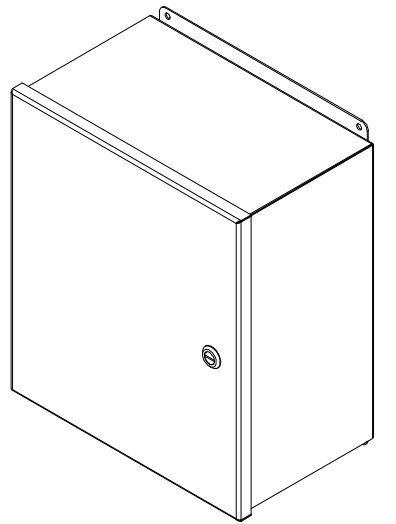
SECTION B-B
(INSIDE BACK OF ENCL.)



BOTTOM VIEW



SECTION A-A
(INSIDE TOP OF ENCL.)



PART #:BN4161408CHQTSSA
 (DATA SUBJECT TO CHANGE WITHOUT NOTICE)
 THIS DRAWING IS THE PROPERTY OF HUBBELL INC. WIEGMANN
 ALL INFORMATION IS PROPRIETARY AND NOT TO BE DUPLICATED