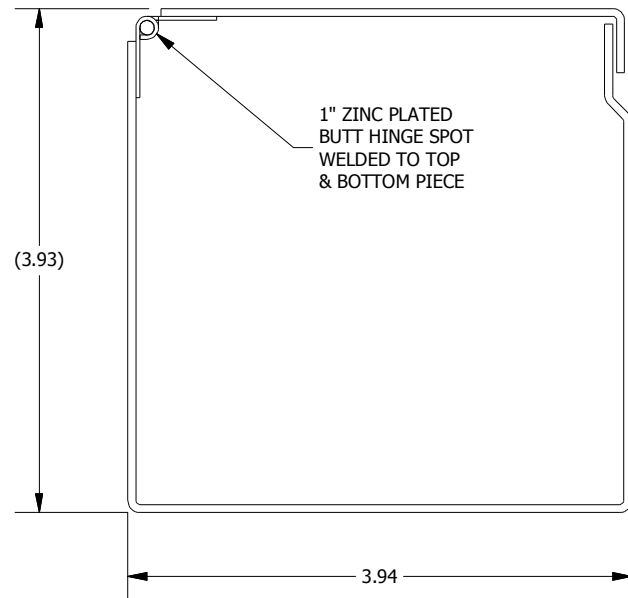
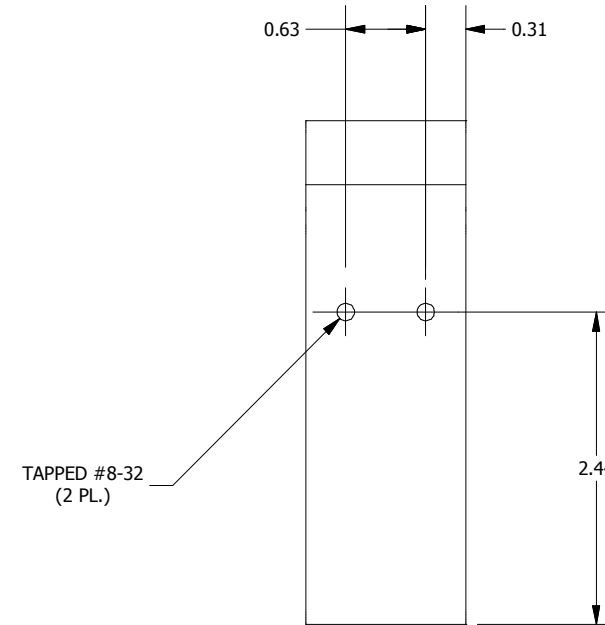


TOP VIEW

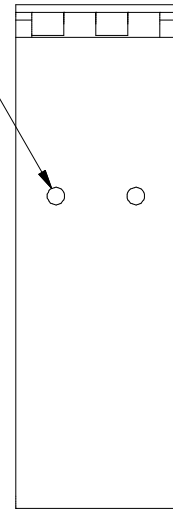


FRONT VIEW

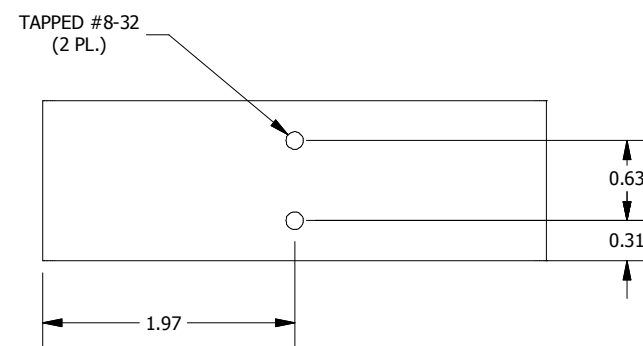


RIGHT SIDE VIEW

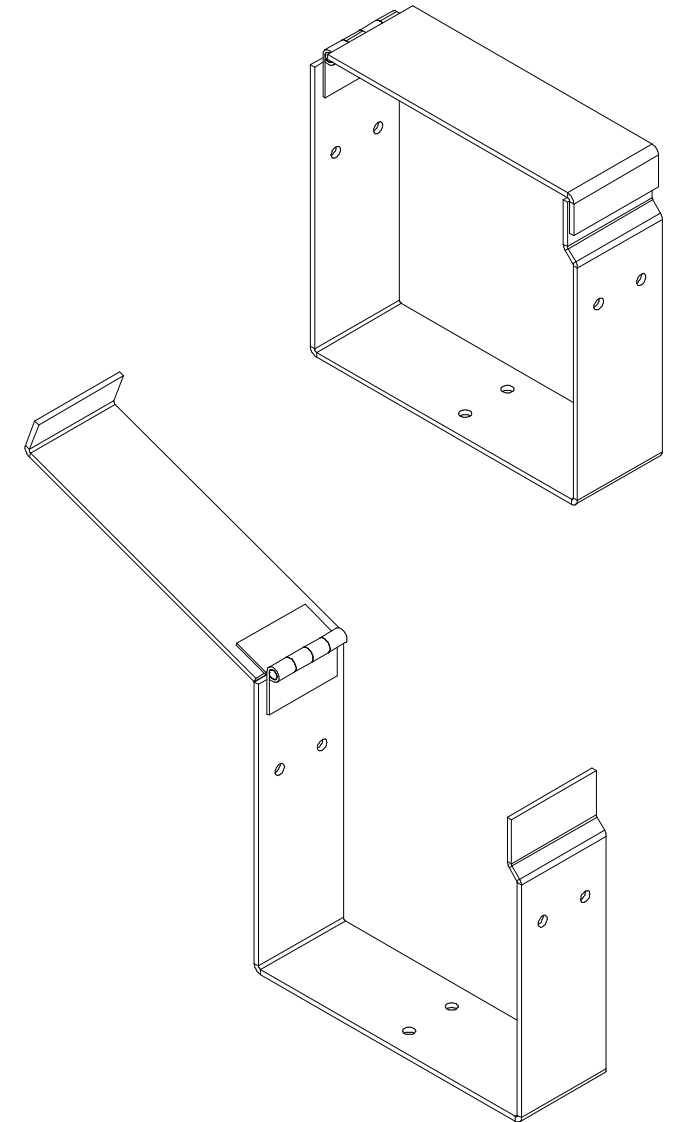
TAPPED #8-32
(2 PL.) (HOLE
LOCATIONS SAME
AS RIGHT SIDE)



LEFT SIDE VIEW



BOTTOM VIEW



PART#: C0404
(DATA SUBJECT TO CHANGE WITHOUT NOTICE)

THIS DRAWING IS PROPERTY OF HUBBELL INC. WIEGMANN
ALL INFORMATION IS PROPRIETARY AND NOT TO BE DUPLICATED