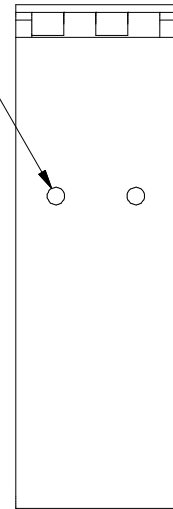
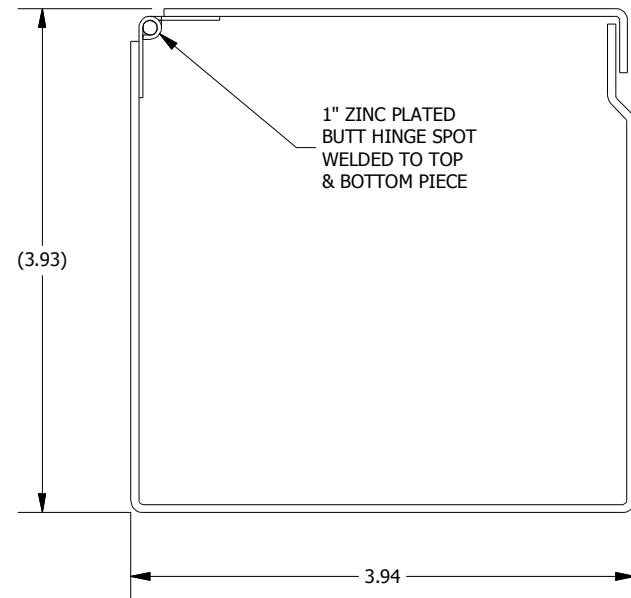


TOP VIEW

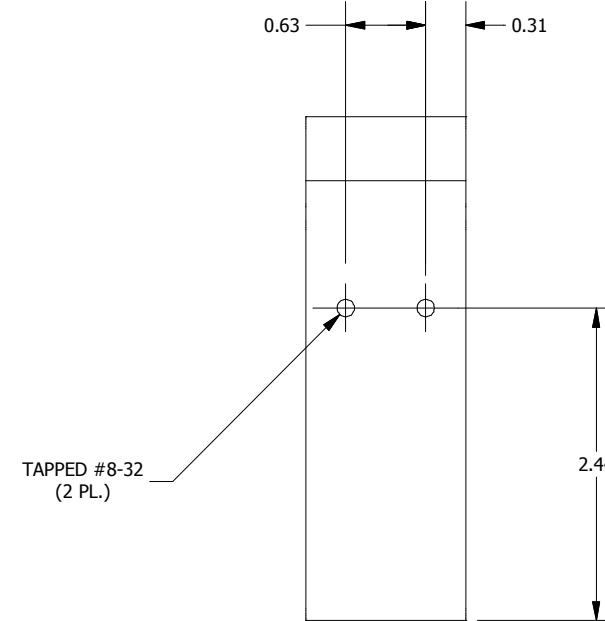
TAPPED #8-32  
(2 PL.) (HOLE  
LOCATIONS SAME  
AS RIGHT SIDE)



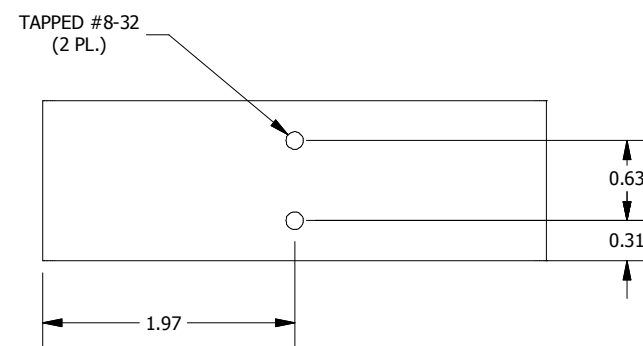
LEFT SIDE VIEW



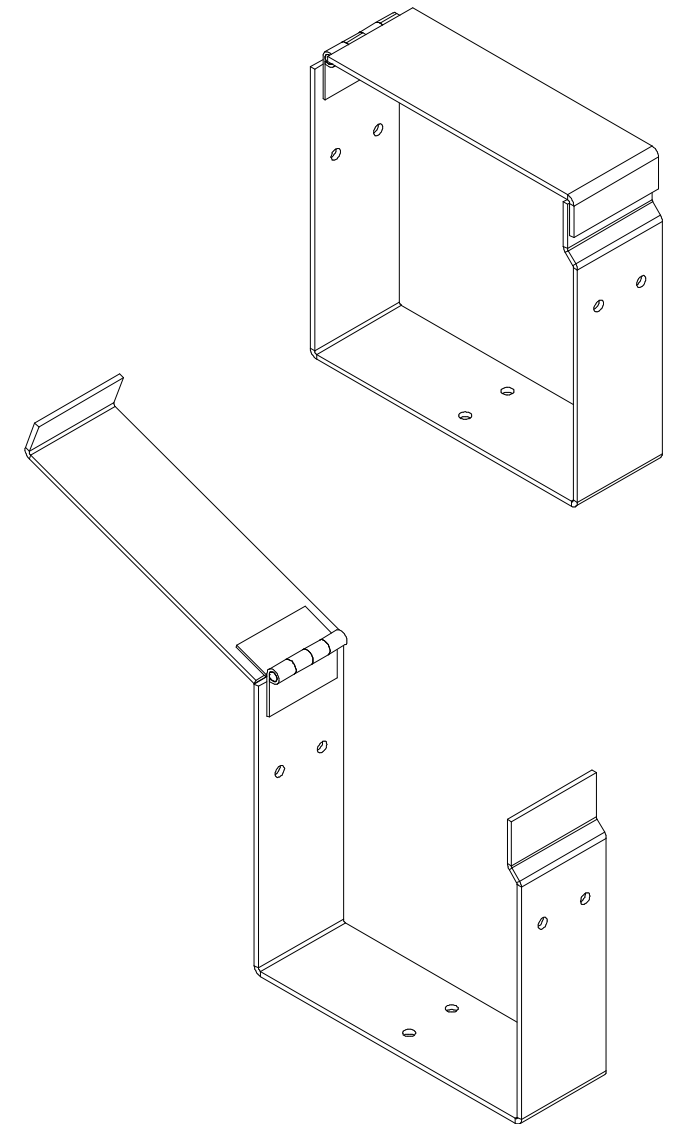
FRONT VIEW



RIGHT SIDE VIEW



BOTTOM VIEW



PART#: C0404G  
(DATA SUBJECT TO CHANGE WITHOUT NOTICE)

THIS DRAWING IS PROPERTY OF HUBBELL INC. WIEGMANN  
ALL INFORMATION IS PROPRIETARY AND NOT TO BE DUPLICATED