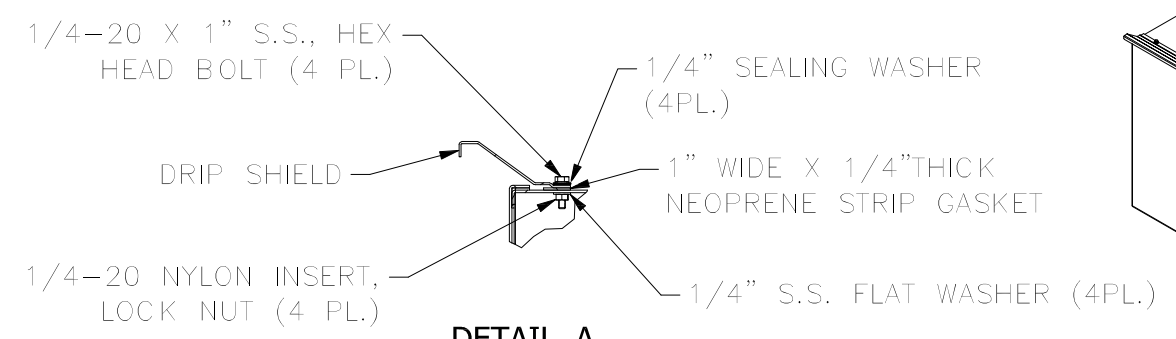
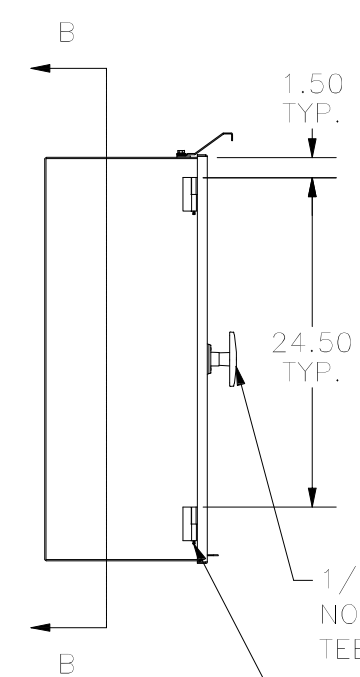
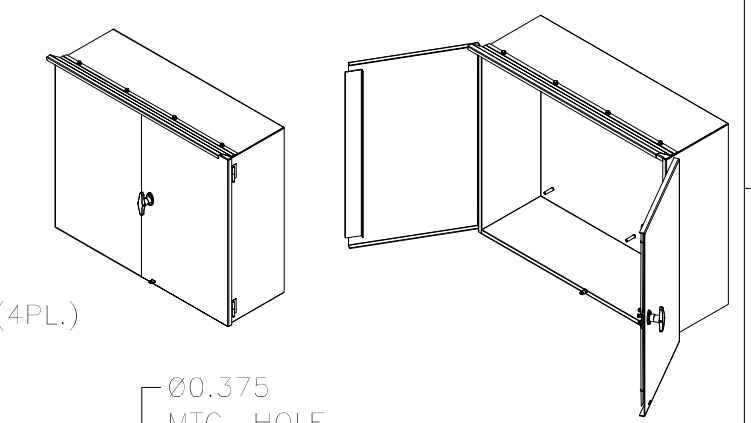


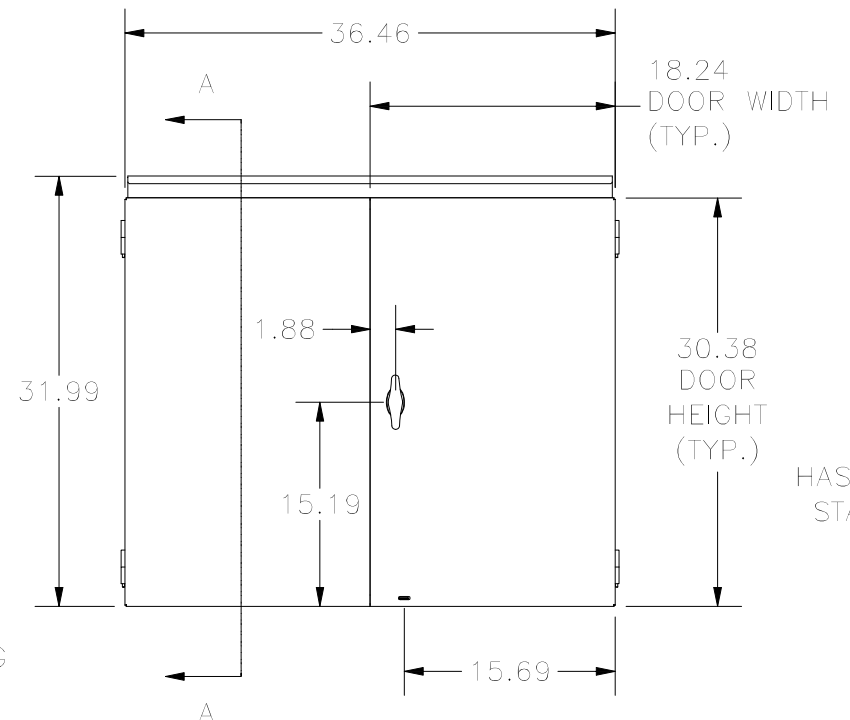
TOP VIEW



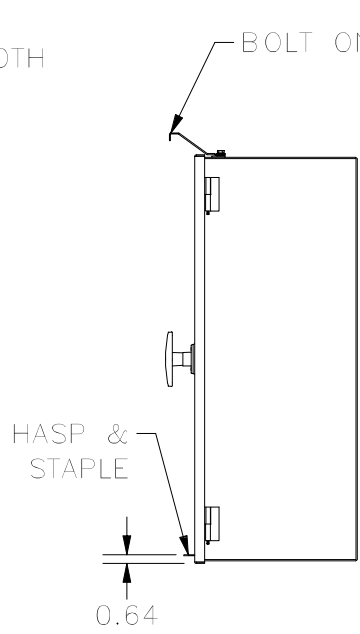
DETAIL A (DRIP SHIELD INSTALL DETAIL)



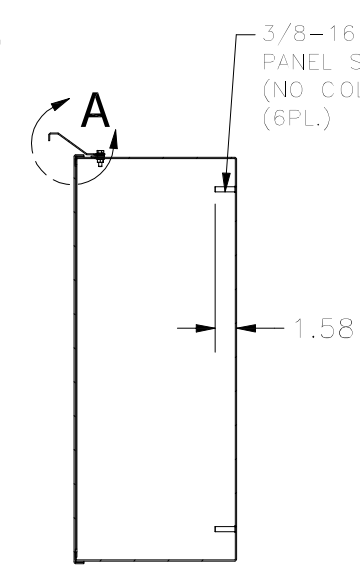
LEFT SIDE VIEW



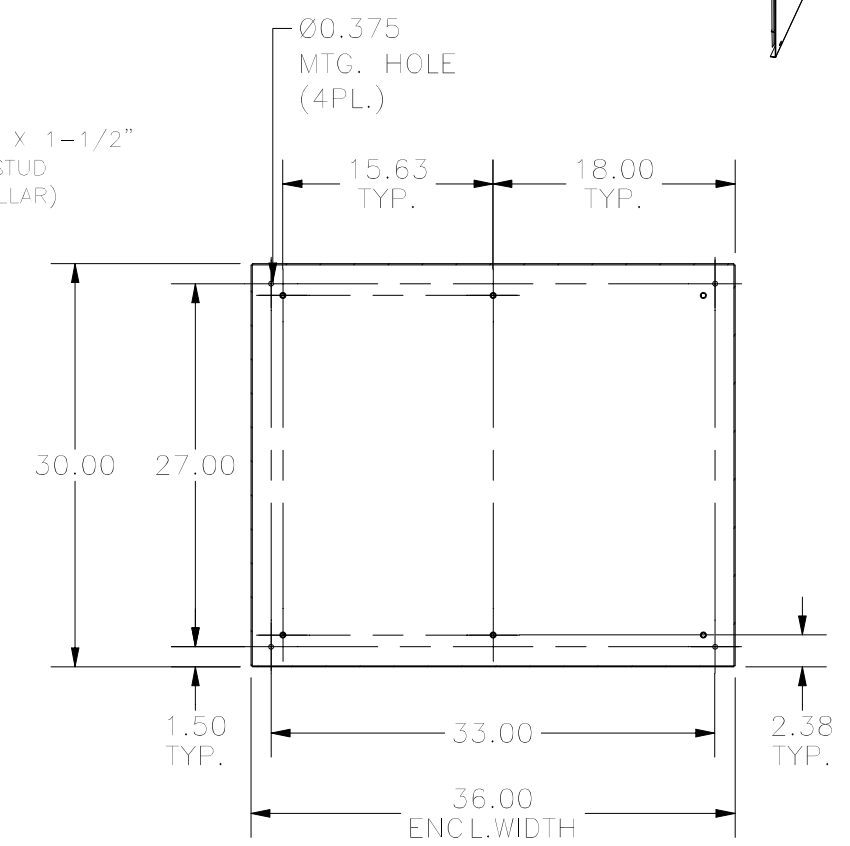
FRONT VIEW



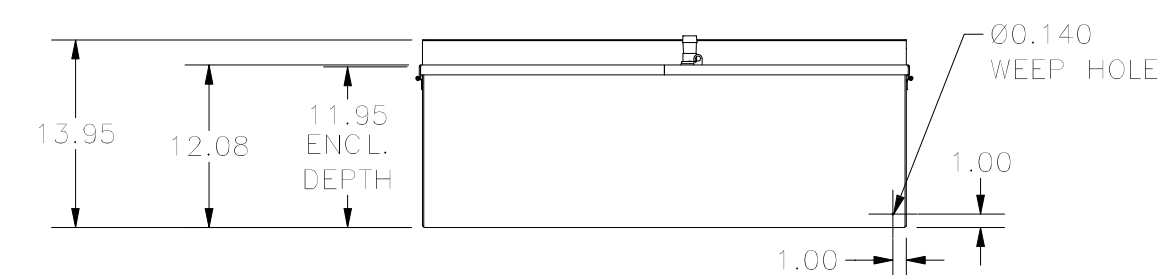
RIGHT SIDE VIEW



SECTION A-A (INSIDE LEFT OF ENCL.)



SECTION B-B (INSIDE BACK OF ENCL.)



BOTTOM VIEW

PART#: CTDD363012
 (DATA SUBJECT TO CHANGE WITHOUT NOTICE)

THIS DRAWING IS PROPERTY OF HUBBELL INC.
 WIEGMANN
 ALL INFORMATION IS PROPRIETARY AND NOT TO BE DUPLICATED