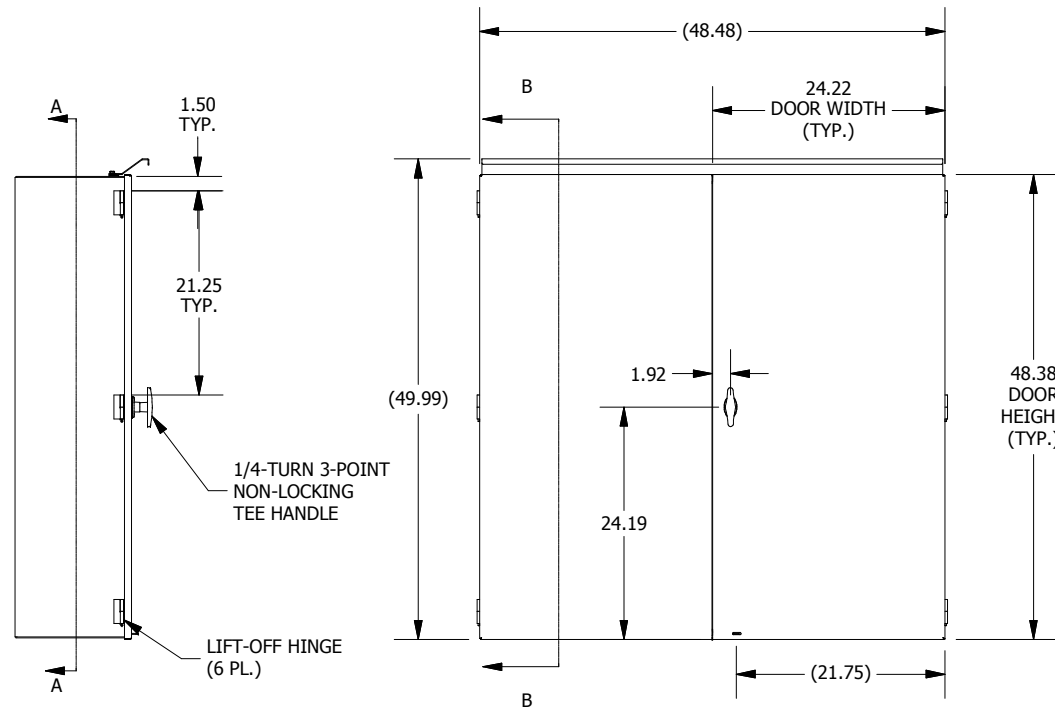
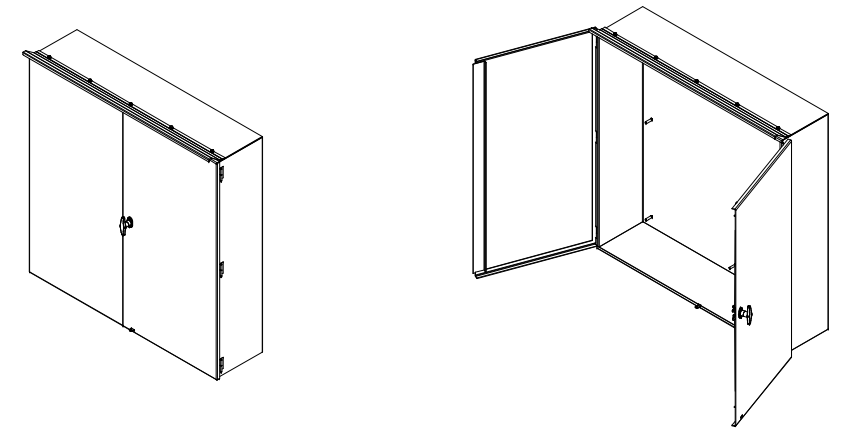
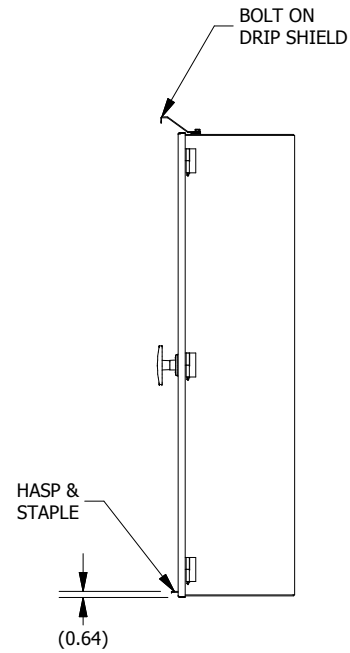


**TOP VIEW**

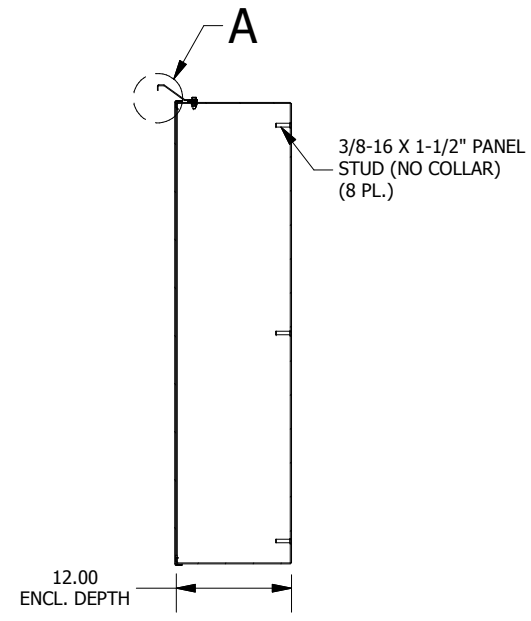


**LEFT SIDE VIEW**

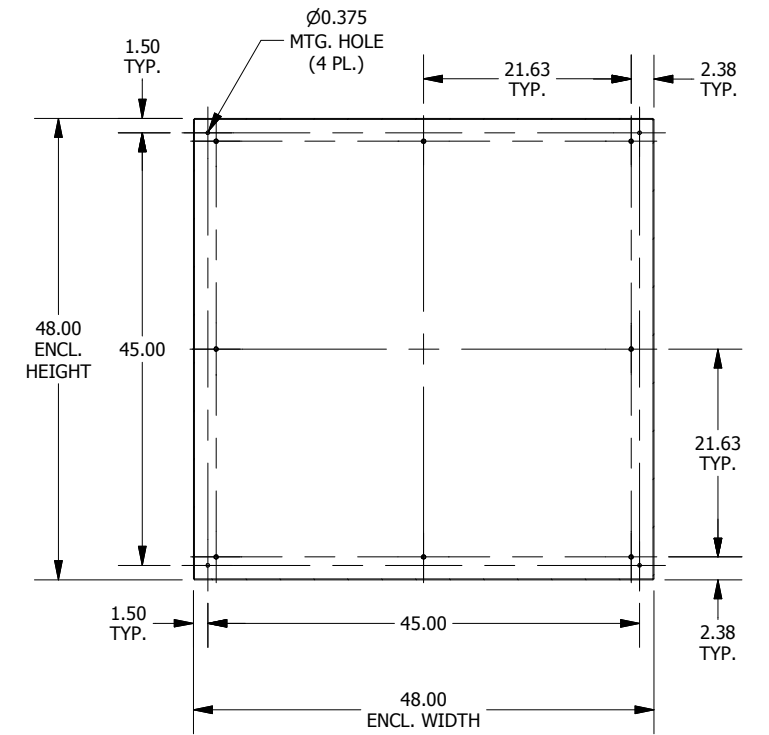
**FRONT VIEW**



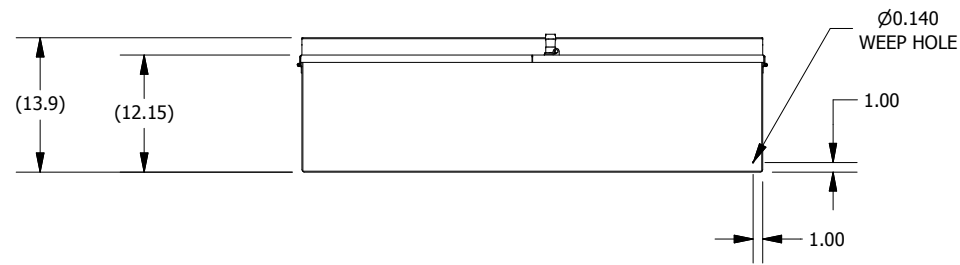
**RIGHT SIDE VIEW**



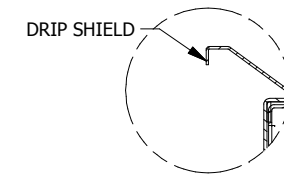
**SECTION B-B  
(INSIDE LEFT OF ENCL.)**



**SECTION A-A  
(INSIDE BACK OF ENCL.)**



**BOTTOM VIEW**



**DETAIL A  
(DRIP SHIELD INSTALL DETAIL)**

PART #: CTDD484812  
(DATA SUBJECT TO CHANGE WITHOUT NOTICE)

THIS DRAWING IS PROPERTY OF HUBBELL INC. WIEGMANN  
ALL INFORMATION IS PROPRIETARY AND NOT TO BE DUPLICATED