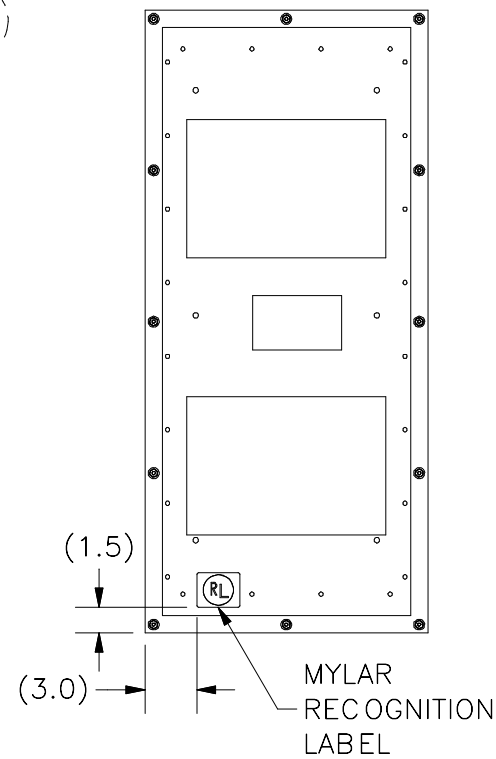
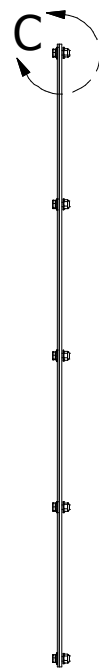
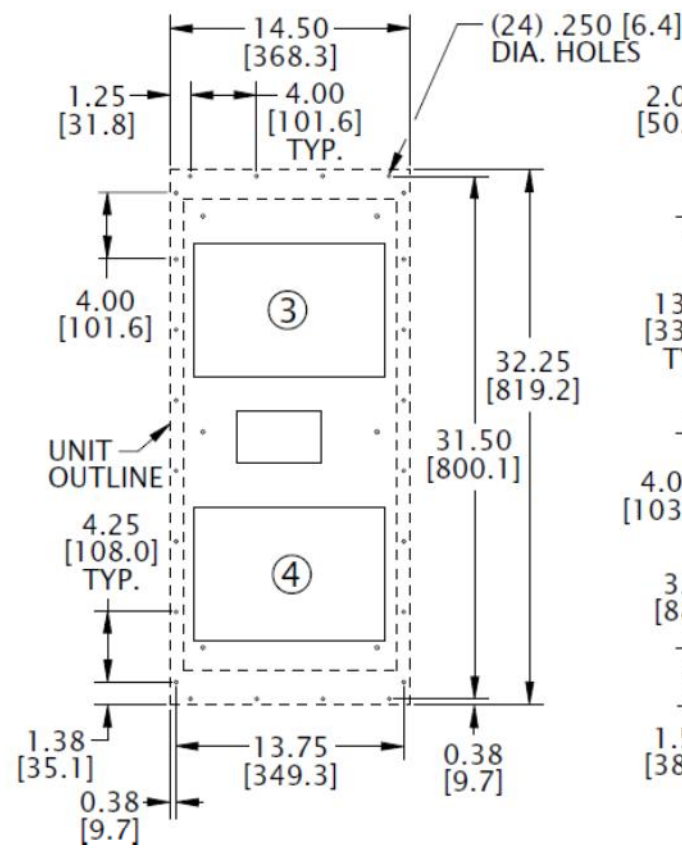


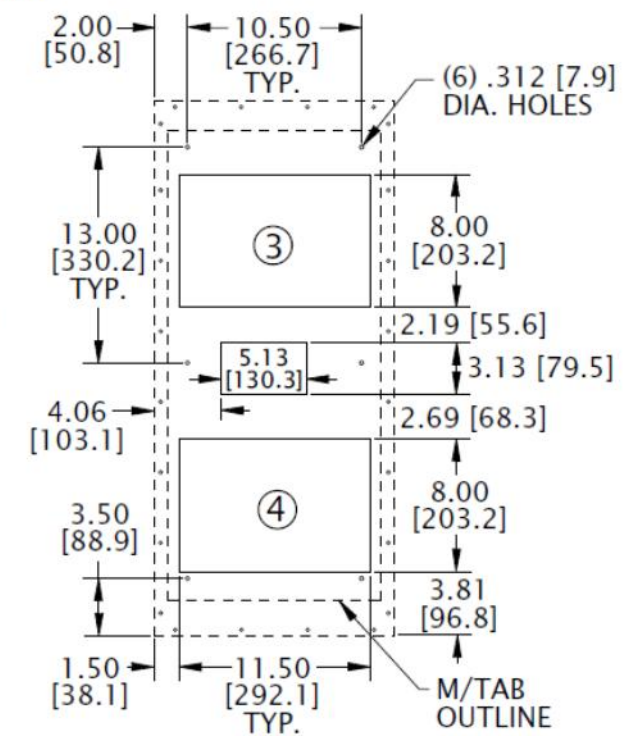
**FRONT VIEW (PLATE ONLY)**



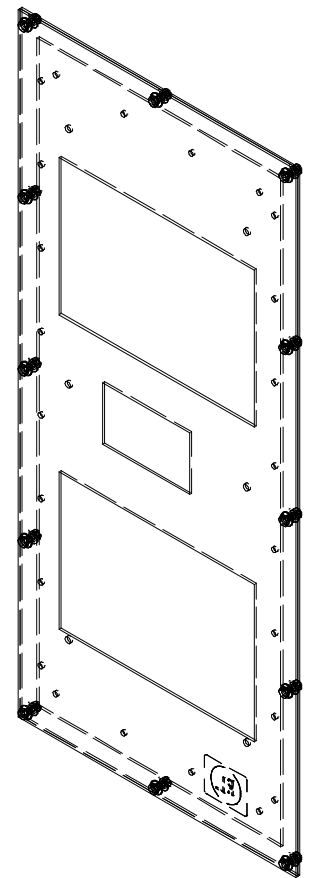
**REAR VIEW**



**MOUNTING PLAN (UNIT)**



**MOUNTING PLAN (M/TAB & CUTOUTS)**



**PART#: D36CVPKNHX32**  
**(DATA SUBJECT TO CHANGE WITHOUT NOTICE)**