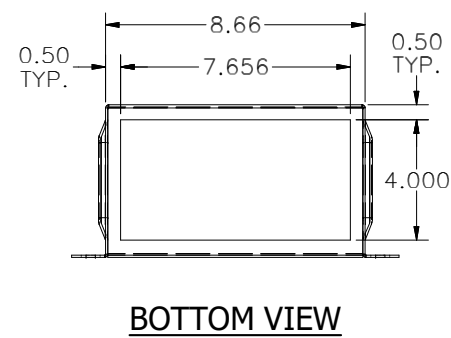
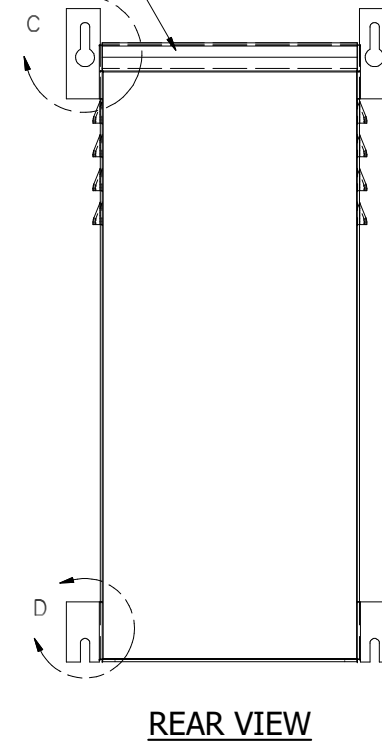


1/2" X 1/8" NEOPRENE STRIP GASKET TO BE APPLIED ALONG WIDTH OF FLANGE (8 3/4")



PART#: D36WHD  
(DATA SUBJECT TO CHANGE WITHOUT NOTICE)

THIS DRAWING IS PROPERTY OF HUBBELL INC. WIEGMANN  
ALL INFORMATION IS PROPRIETARY AND NOT TO BE DUPLICATED