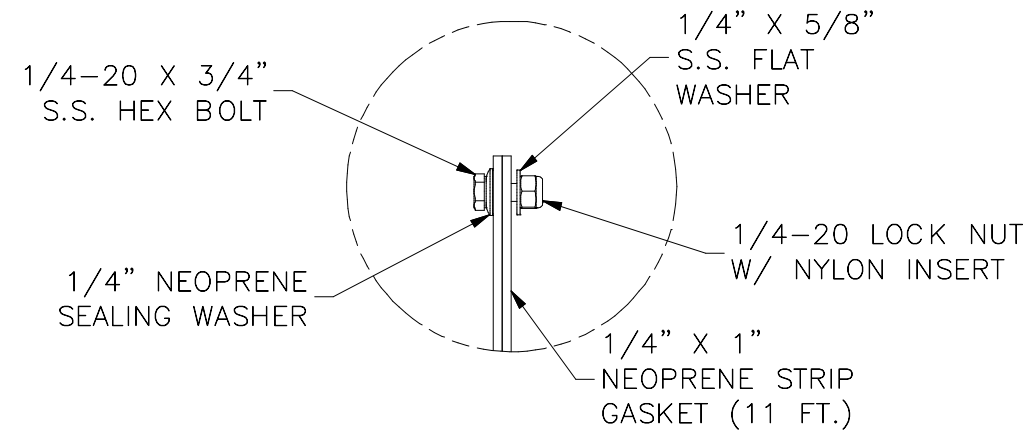
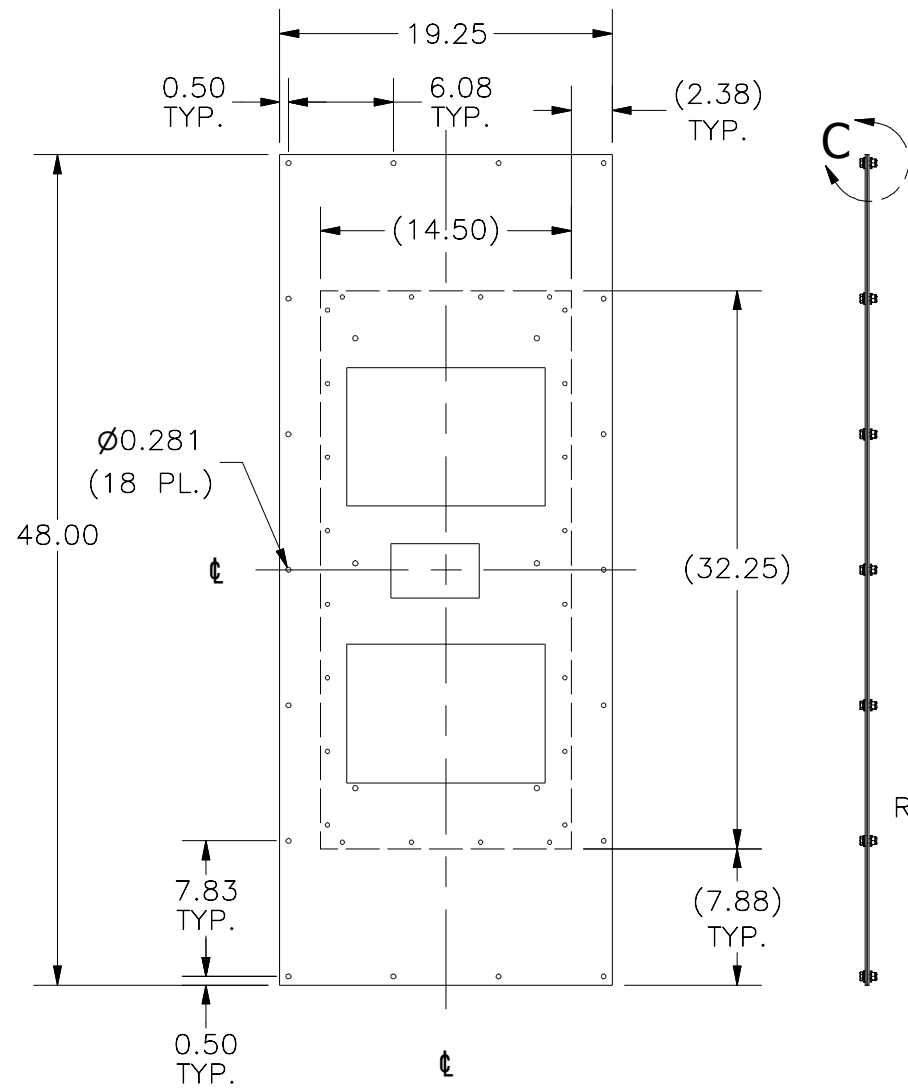




TOP VIEW

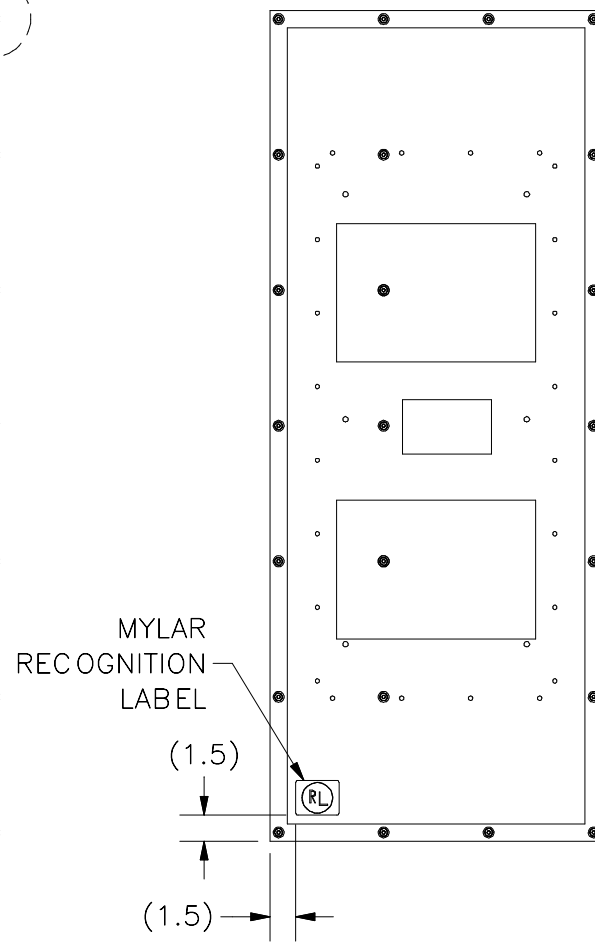


DETAIL C (18 PL.)

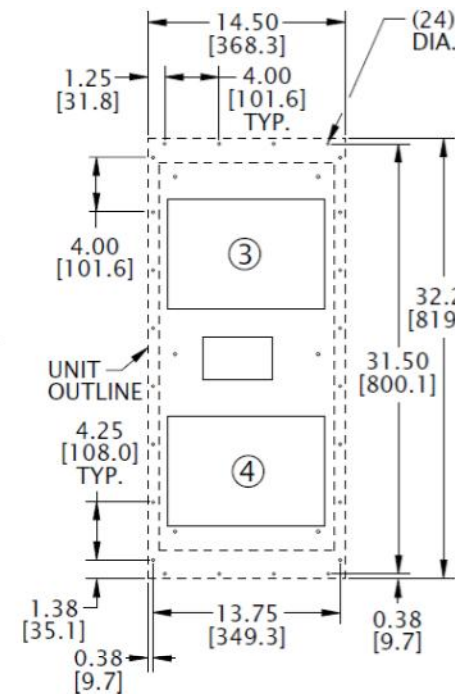


FRONT VIEW (PLATE ONLY)

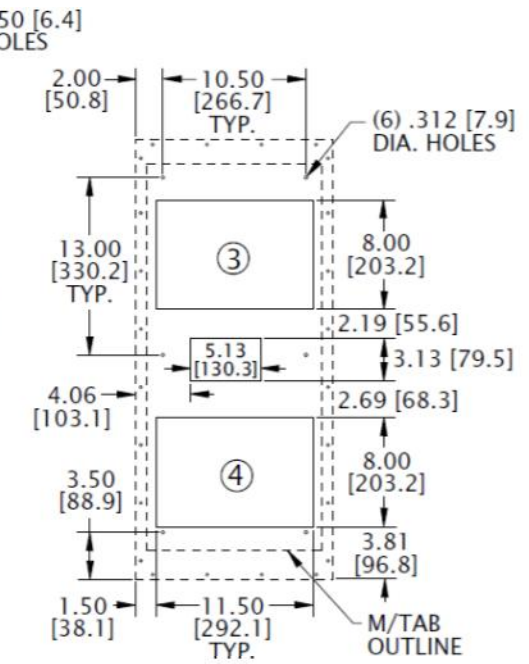
RIGHT SIDE VIEW



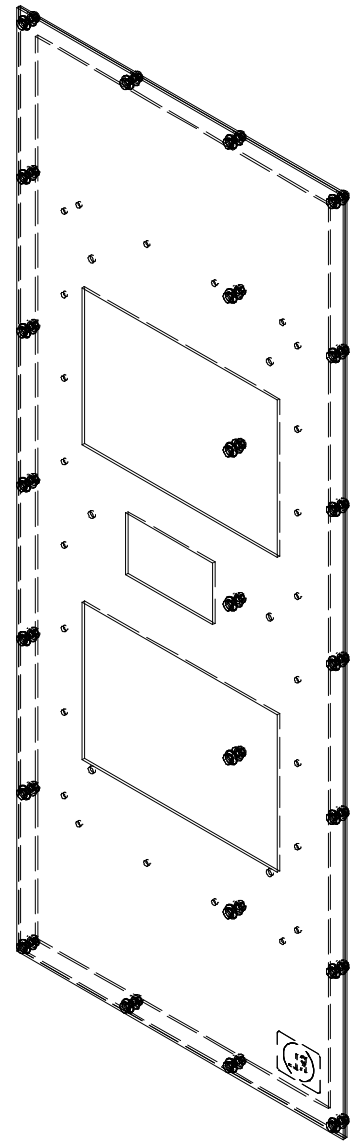
REAR VIEW



MOUNTING PLAN (UNIT)



MOUNTING PLAN (M/TAB & CUTOUTS)



PART#: D48CVPKNHX32  
(DATA SUBJECT TO CHANGE WITHOUT NOTICE)