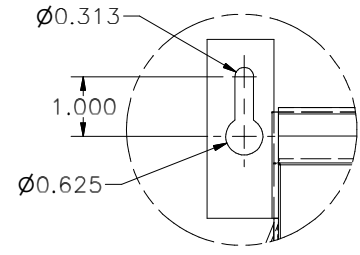
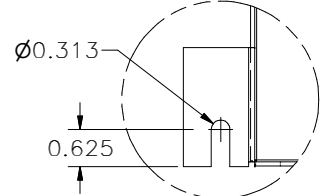


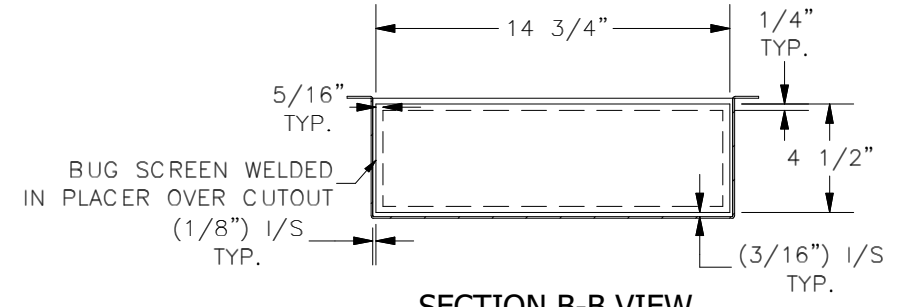
TOP VIEW



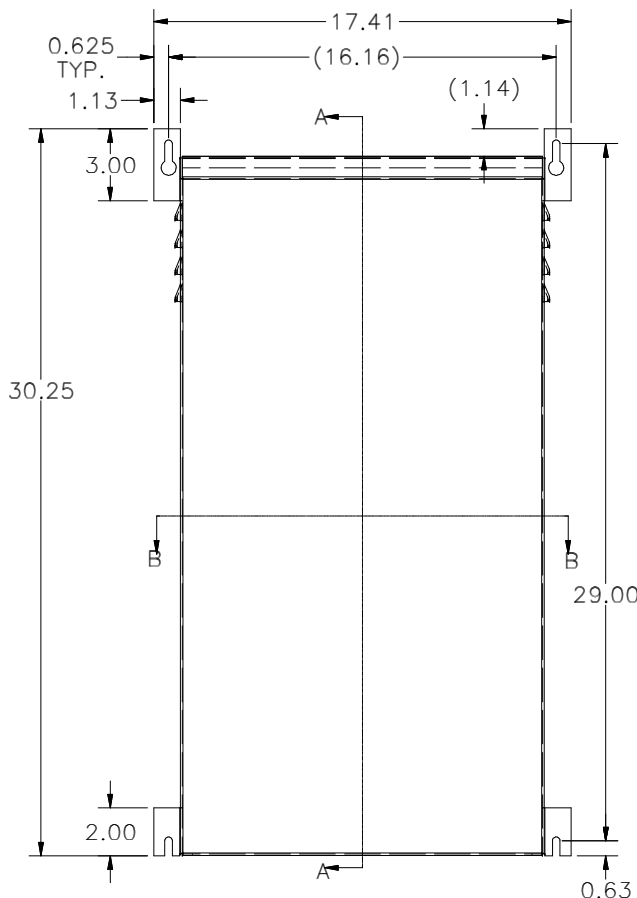
DETAIL C (2 PL.)



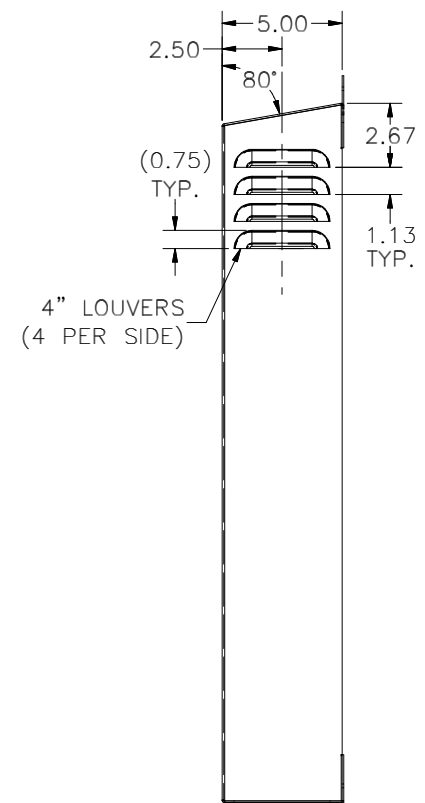
DETAIL D (2 PL.)



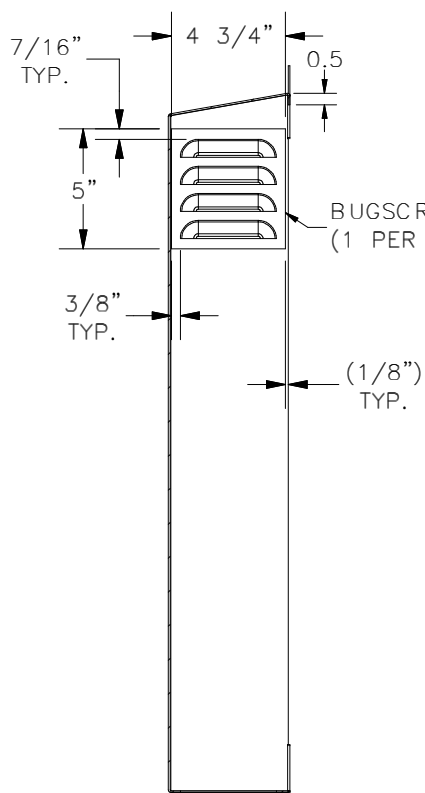
**SECTION B-B VIEW
(INSIDE BOTTOM OF HOOD)**



FRONT VIEW

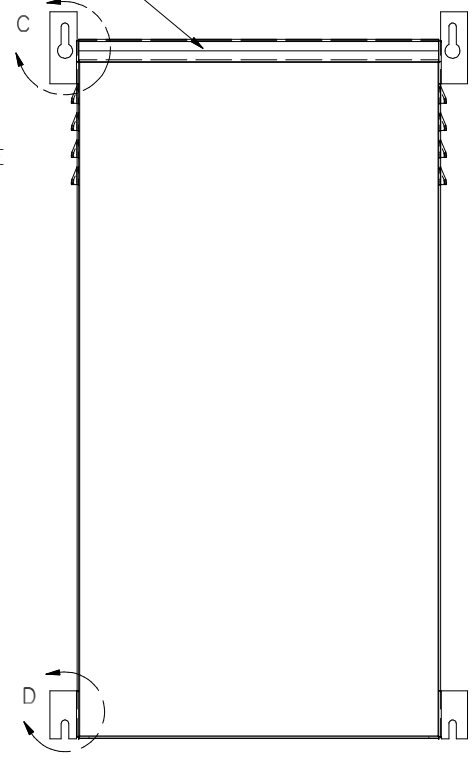


RIGHT SIDE VIEW

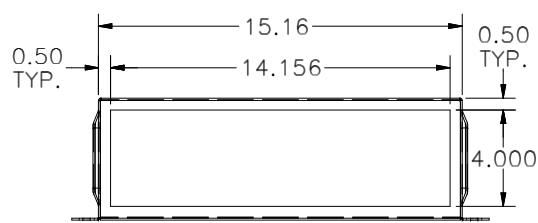
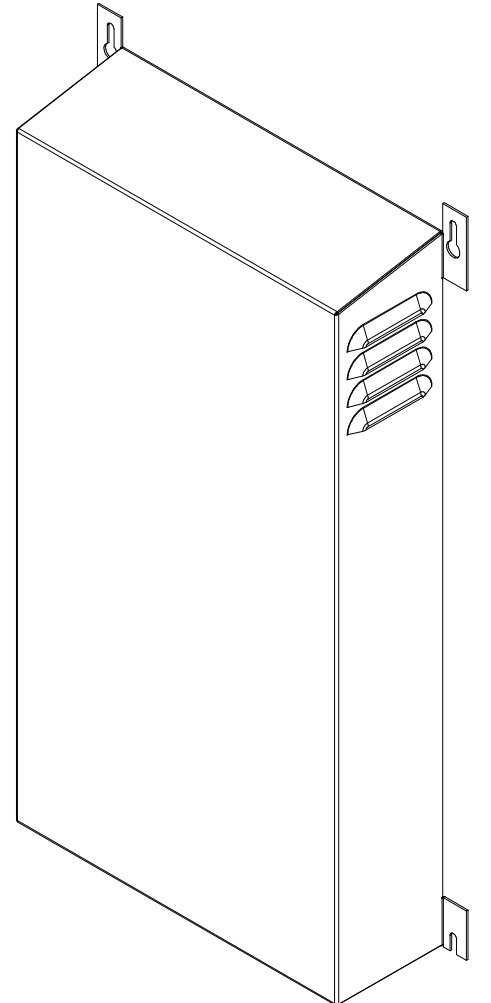


**SECTION A-A VIEW
(INSIDE LEFT OF HOOD)**

1/2" X 1/8" NEOPRENE STRIP GASKET TO BE APPLIED ALONG WIDTH OF FLANGE (15 1/4")



REAR VIEW



BOTTOM VIEW

PART#: D48WHD
(DATA SUBJECT TO CHANGE WITHOUT NOTICE)

THIS DRAWING IS PROPERTY OF HUBBELL INC. WIEGMANN
ALL INFORMATION IS PROPRIETARY AND NOT TO BE DUPLICATED