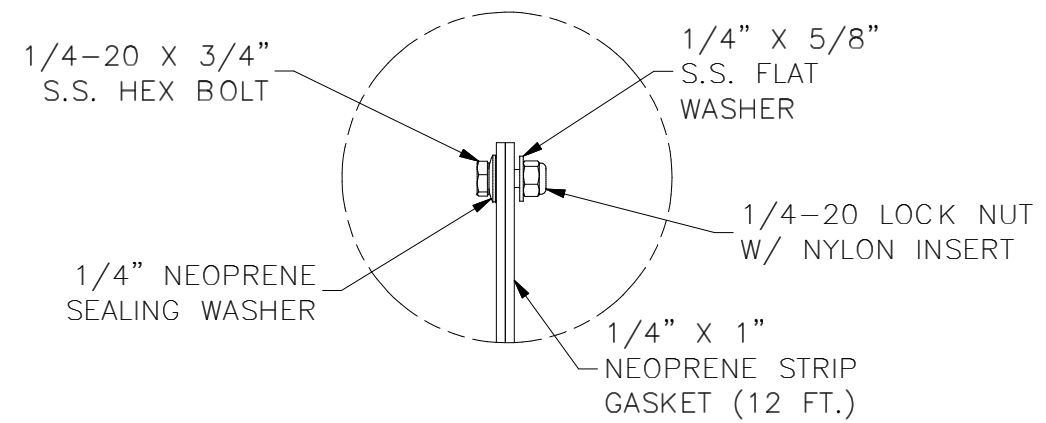
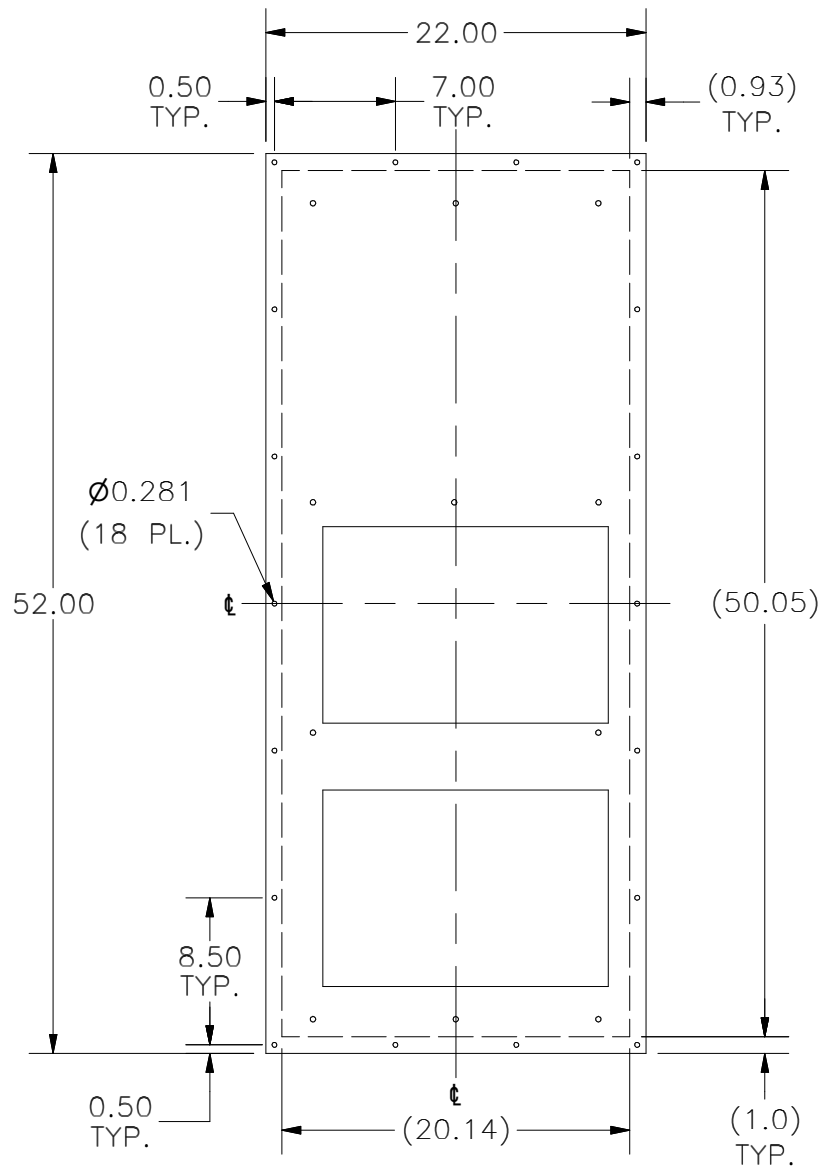




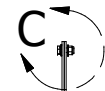
TOP VIEW



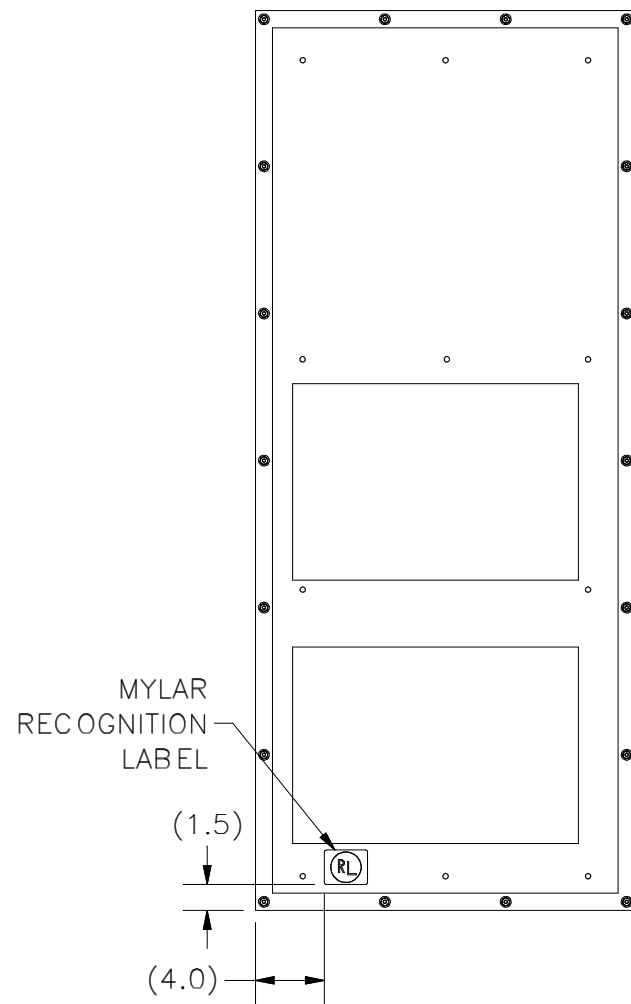
DETAIL C (18 PL.)



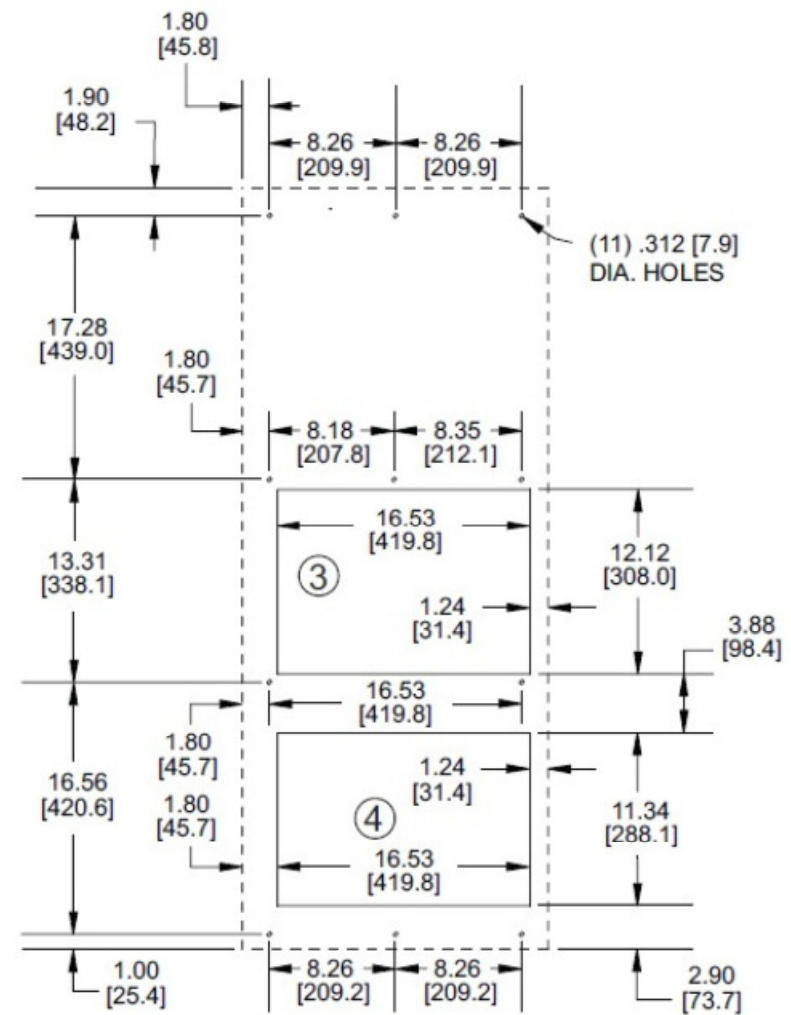
FRONT VIEW (PLATE ONLY)



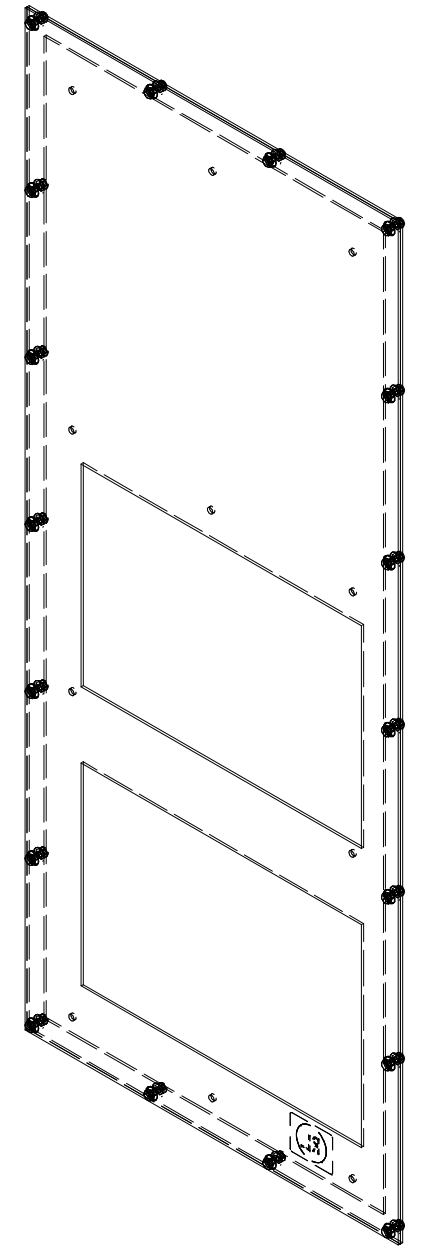
RIGHT SIDE VIEW



REAR VIEW



MOUNTING PLAN



PART#: D52CVPK36C14DP50
(DATA SUBJECT TO CHANGE WITHOUT NOTICE)