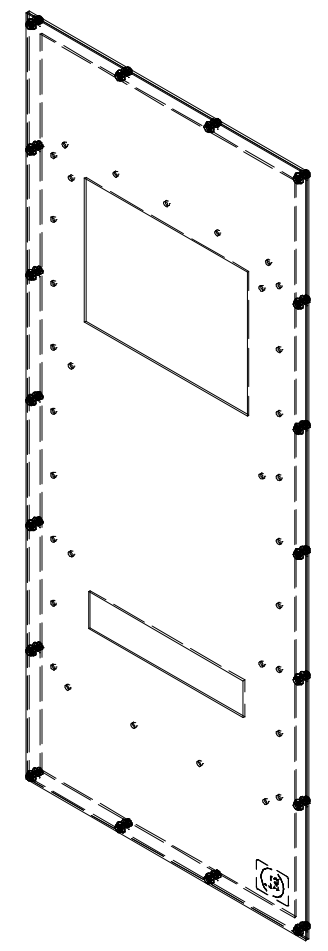
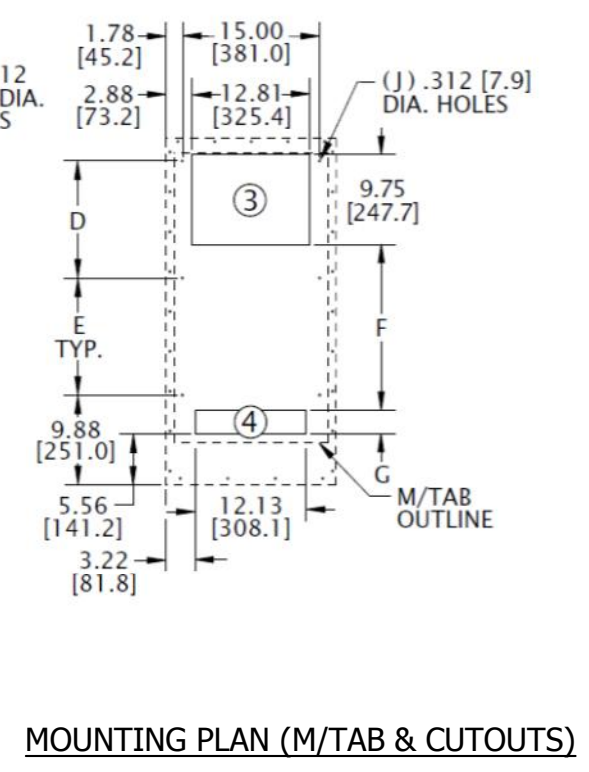
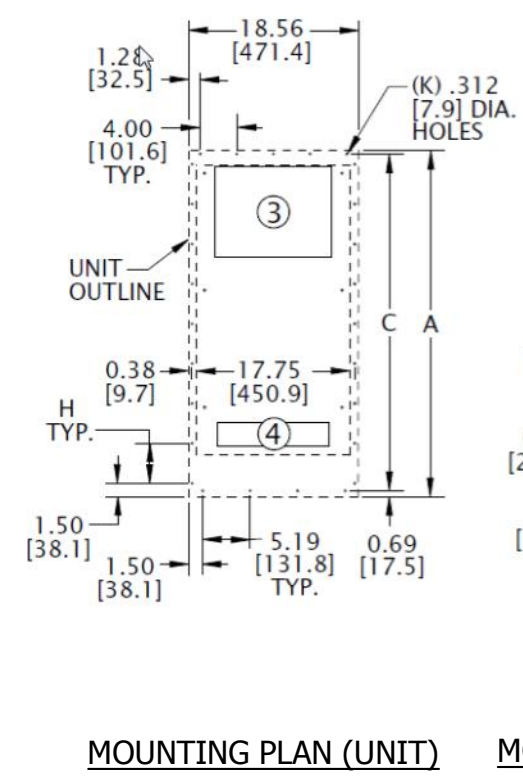
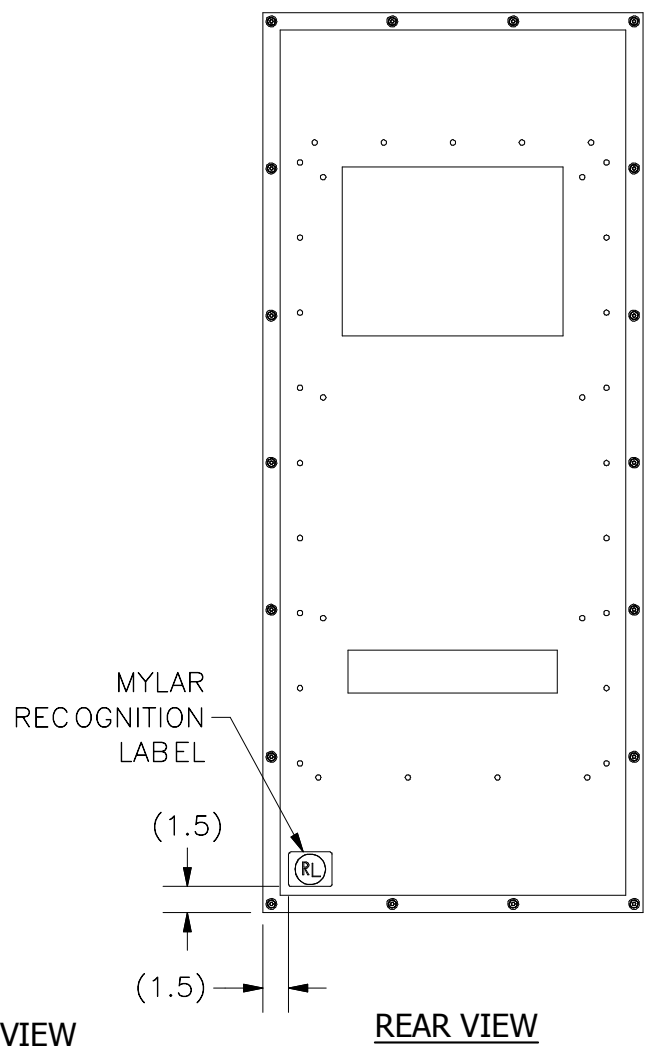
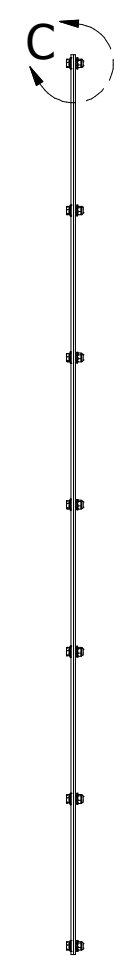
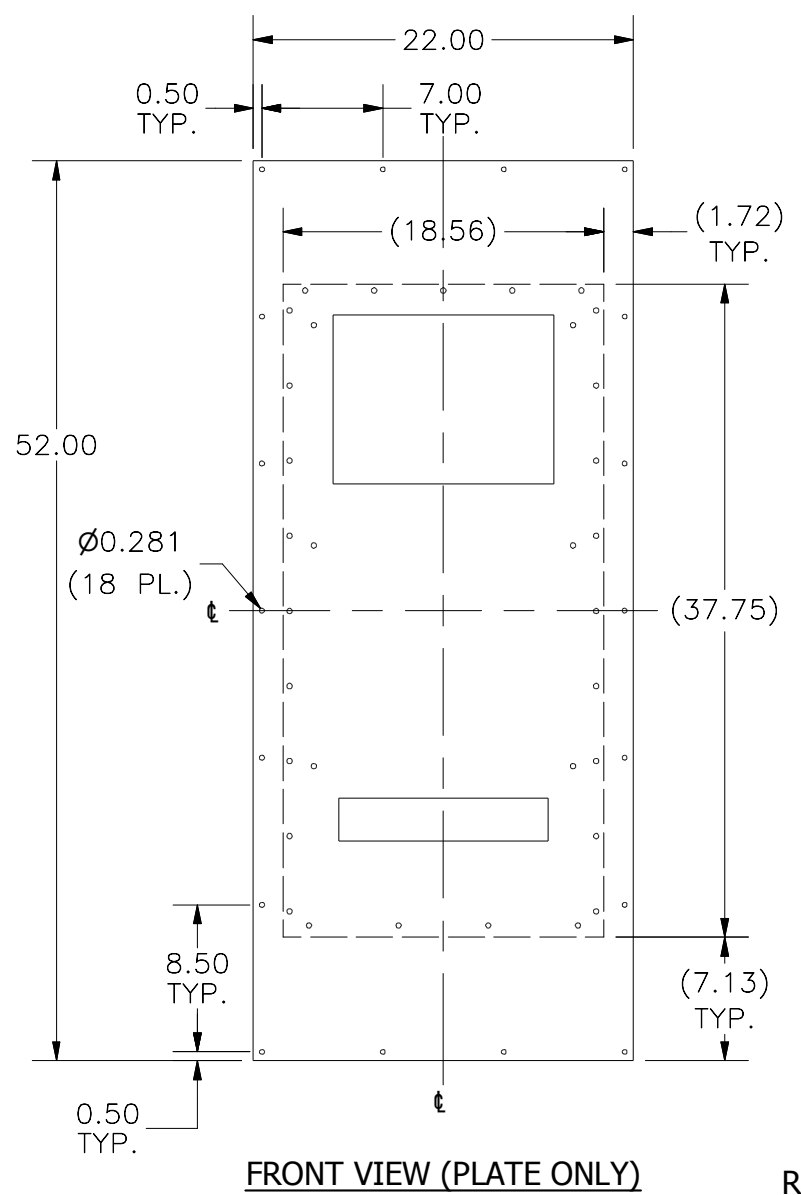


DIMENSIONS

KNHX38		
A	37.75	[958.9]
B	37.00	[939.8]
C	36.69	[931.9]
D	12.75	[323.9]
E	12.75	[323.9]
F	18.13	[460.5]
G	2.50	[63.5]
H	4.34	[110.2]
J	6	
K	27	



PART#: D52CVPKNHX38
(DATA SUBJECT TO CHANGE WITHOUT NOTICE)