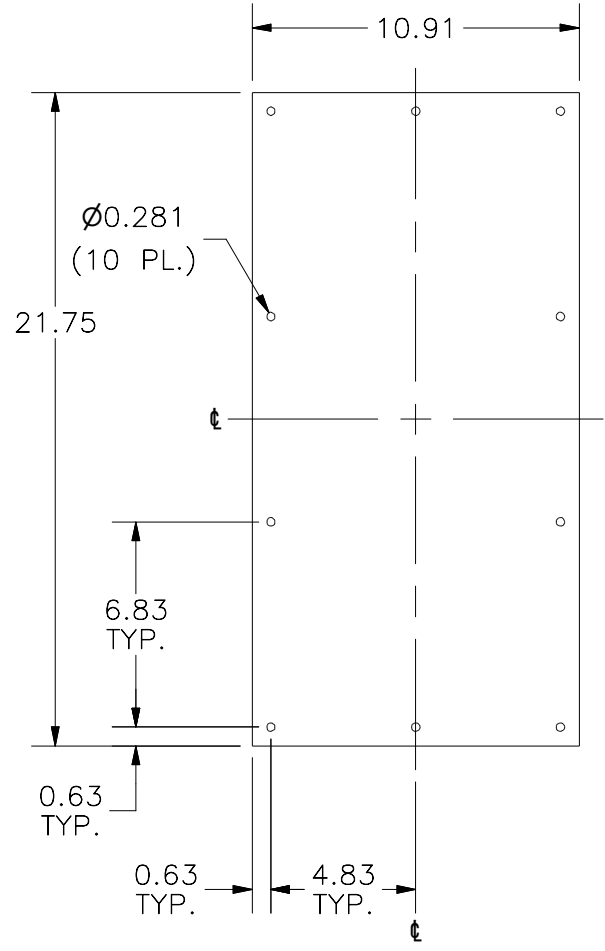
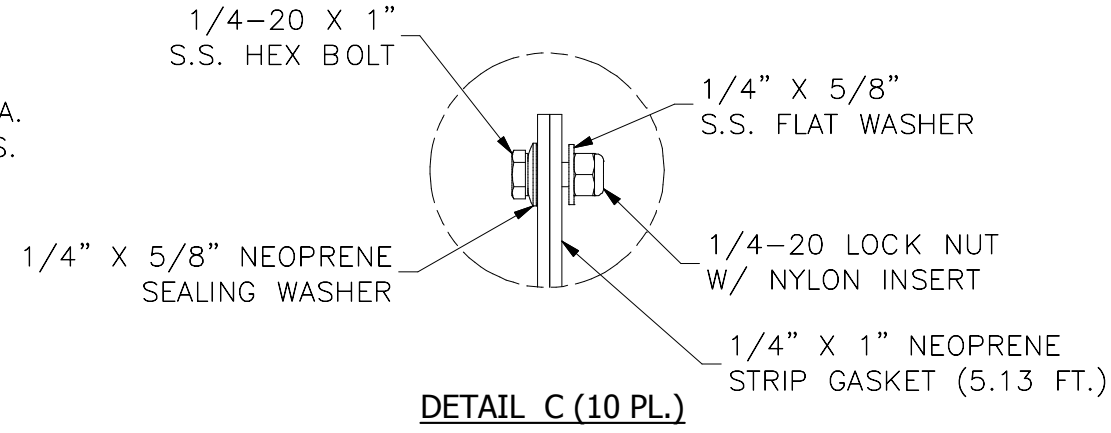
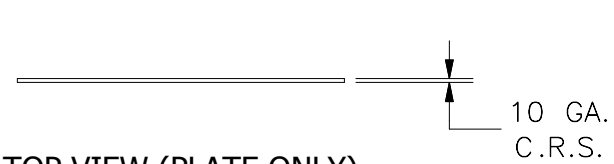
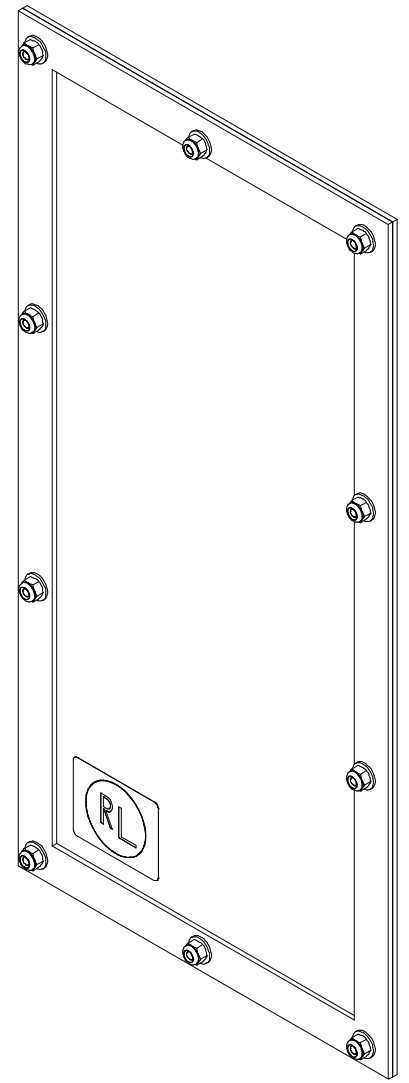
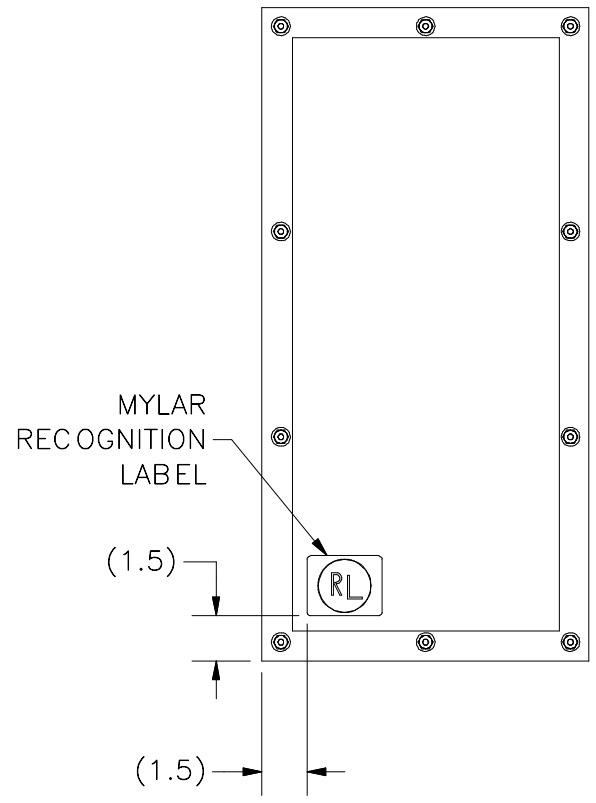
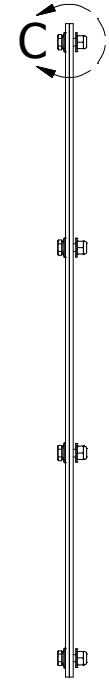


TOP VIEW (PLATE ONLY)



FRONT VIEW (PLATE ONLY)



PART#: DF36CVP
(DATA SUBJECT TO CHANGE WITHOUT NOTICE)

THIS DRAWING IS PROPERTY OF HUBBELL INC. WIEGMANN
ALL INFORMATION IS PROPRIETARY AND NOT TO BE DUPLICATED