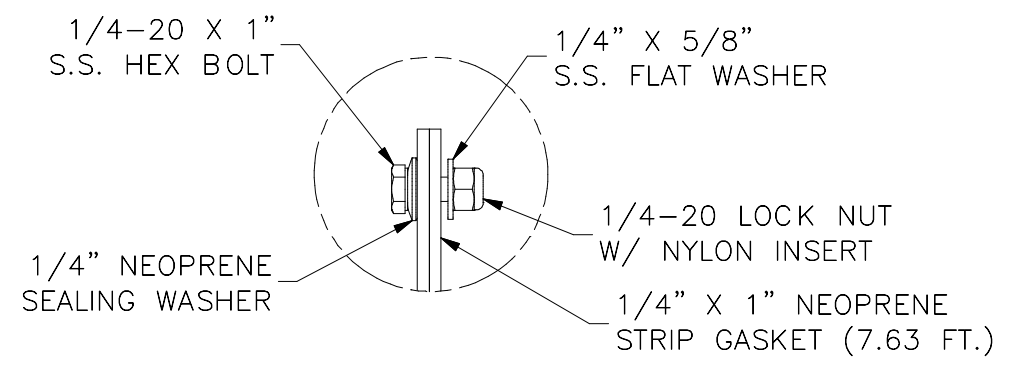
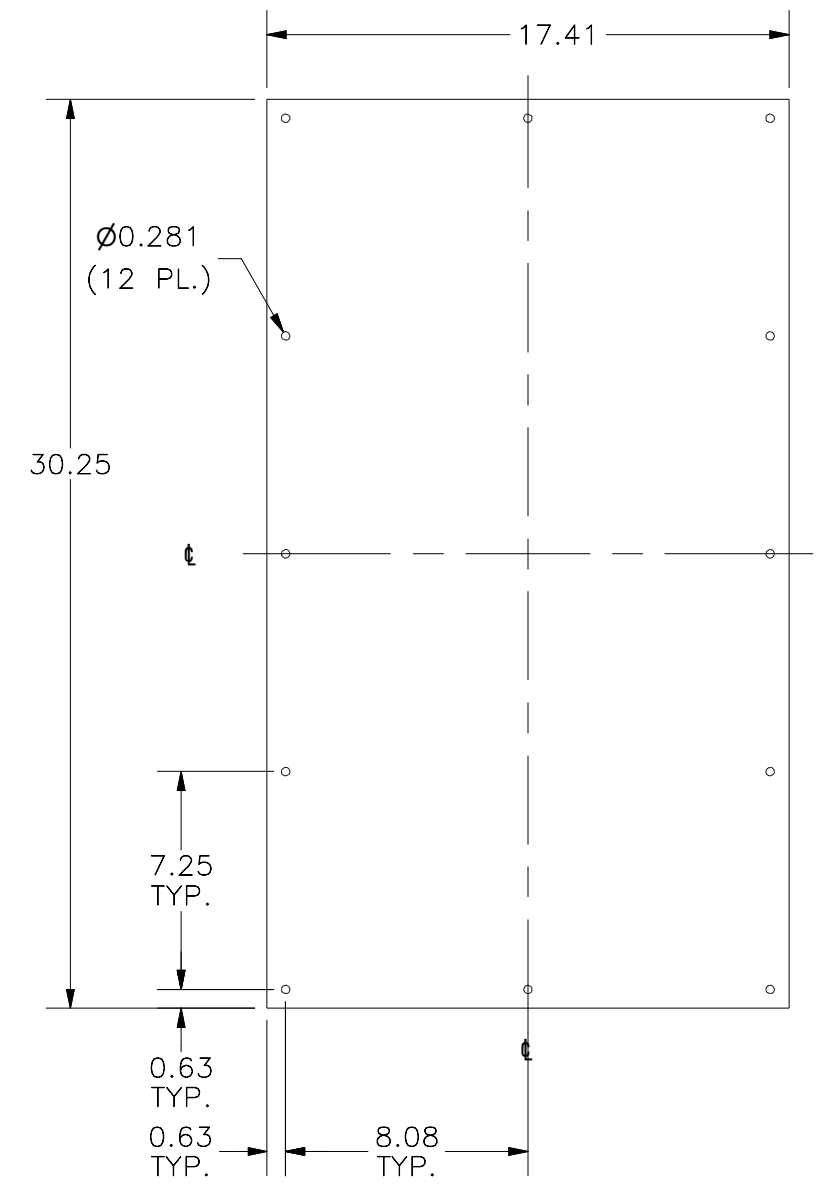


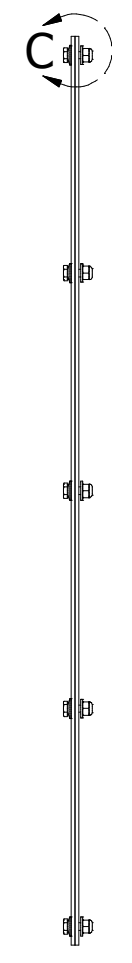
TOP VIEW (PLATE ONLY)



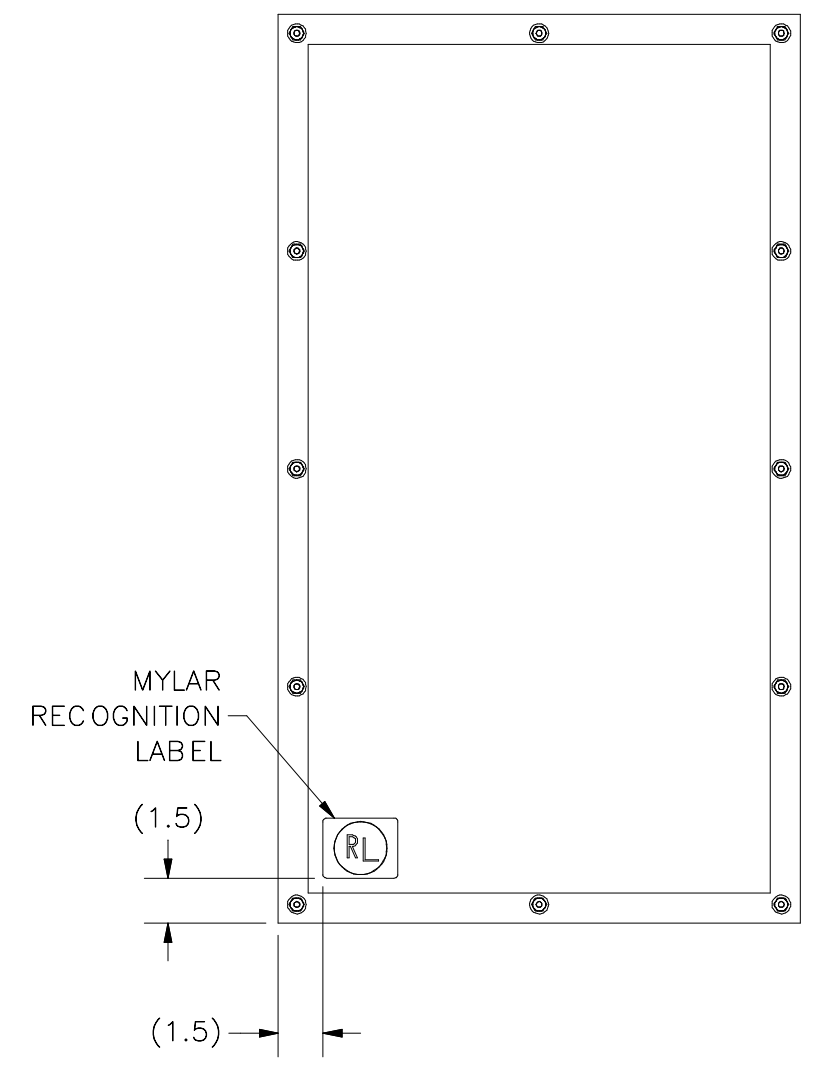
DETAIL C (12 PL.)



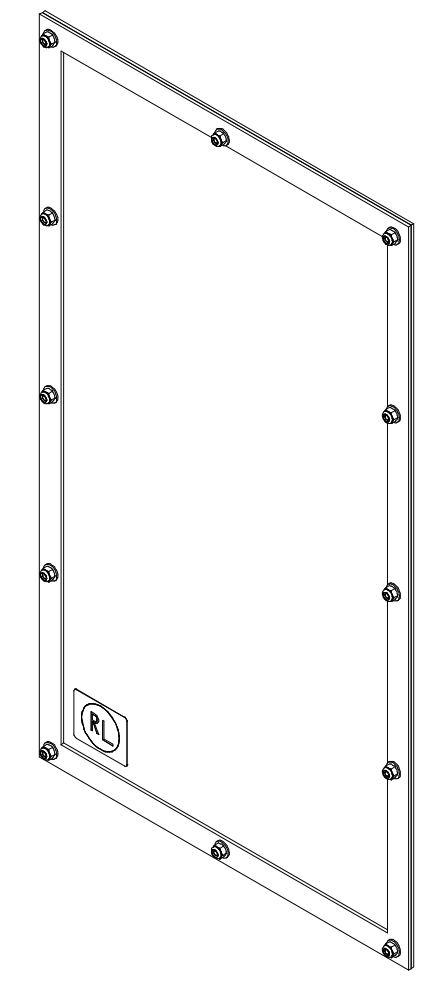
FRONT VIEW (PLATE ONLY)



ASSM. RIGHT SIDE VIEW



REAR VIEW



PART#: DF48CVP
(DATA SUBJECT TO CHANGE WITHOUT NOTICE)

THIS DRAWING IS PROPERTY OF HUBBELL INC. WIEGMANN
ALL INFORMATION IS PROPRIETARY AND NOT TO BE DUPLICATED