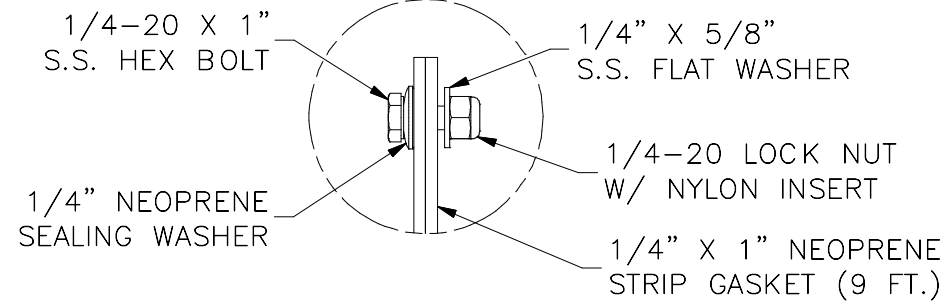
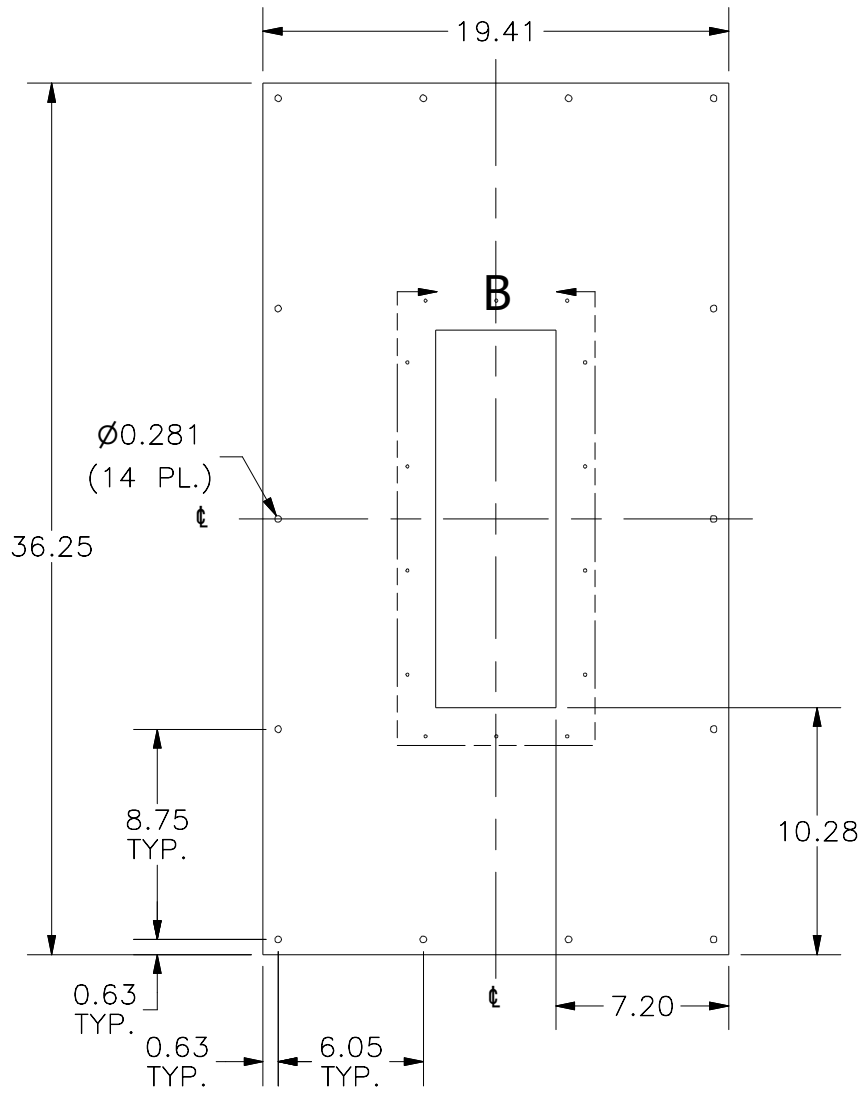


10 GA.  
C.R.S.

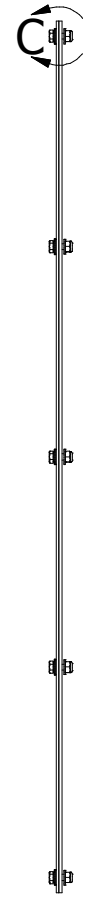
TOP VIEW (PLATE ONLY)



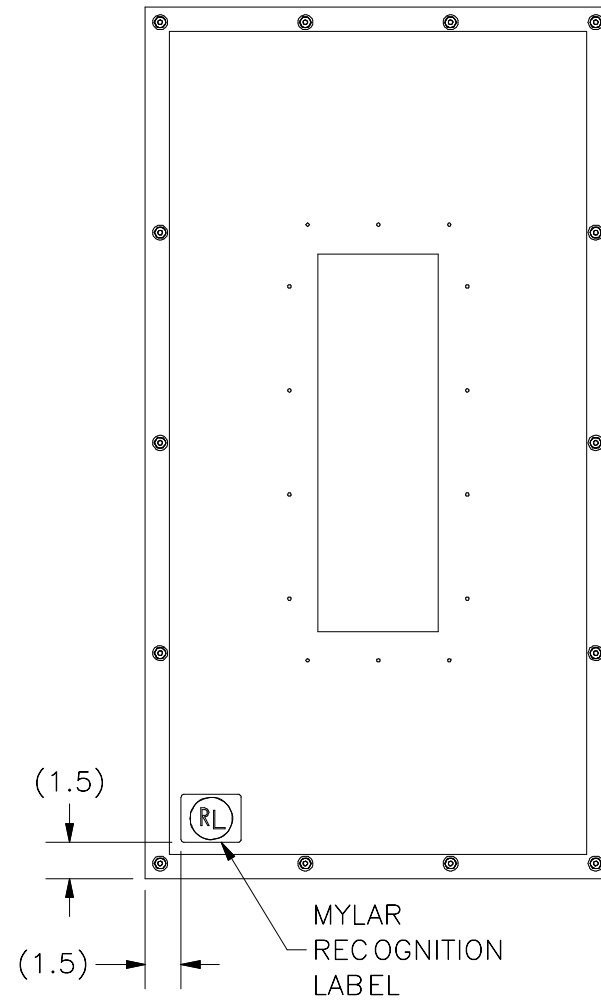
DETAIL C (14 PL.)



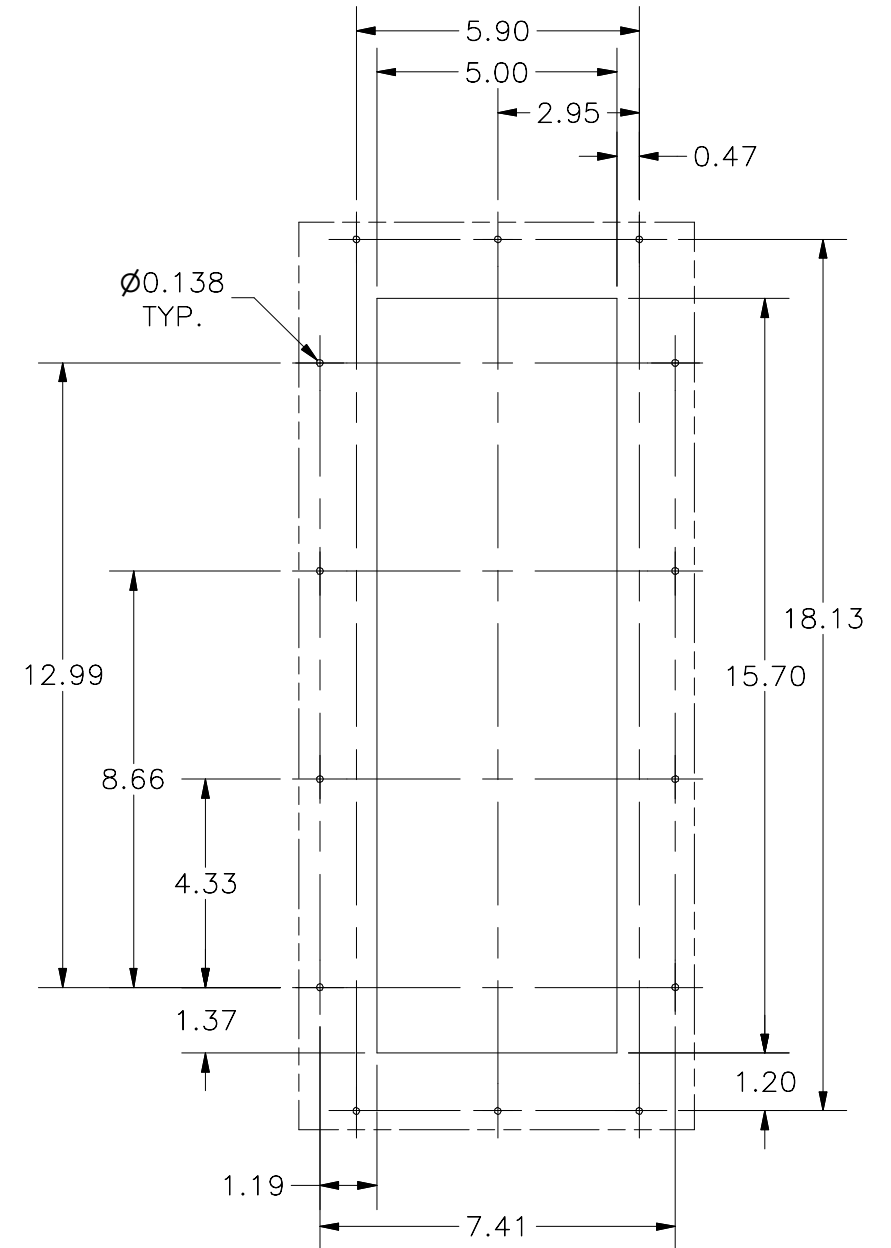
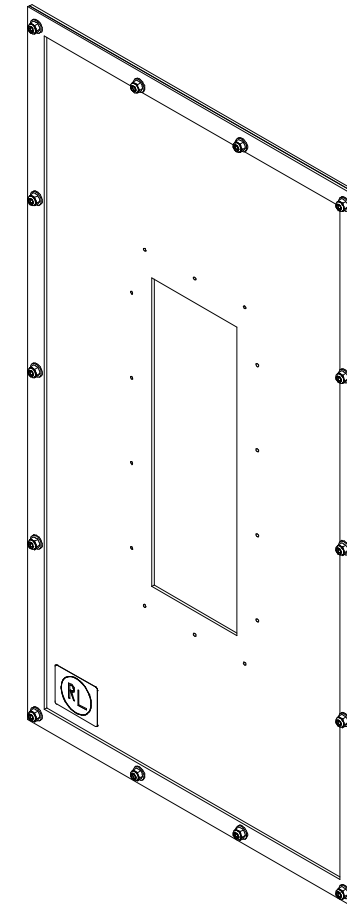
FRONT VIEW (PLATE ONLY)



ASSM. RIGHT SIDE VIEW



REAR VIEW



DETAIL B

PART#: DF52CVPF2  
(DATA SUBJECT TO CHANGE WITHOUT NOTICE)

THIS DRAWING IS PROPERTY OF HUBBELL INC. WIEGMANN  
ALL INFORMATION IS PROPRIETARY AND NOT TO BE DUPLICATED