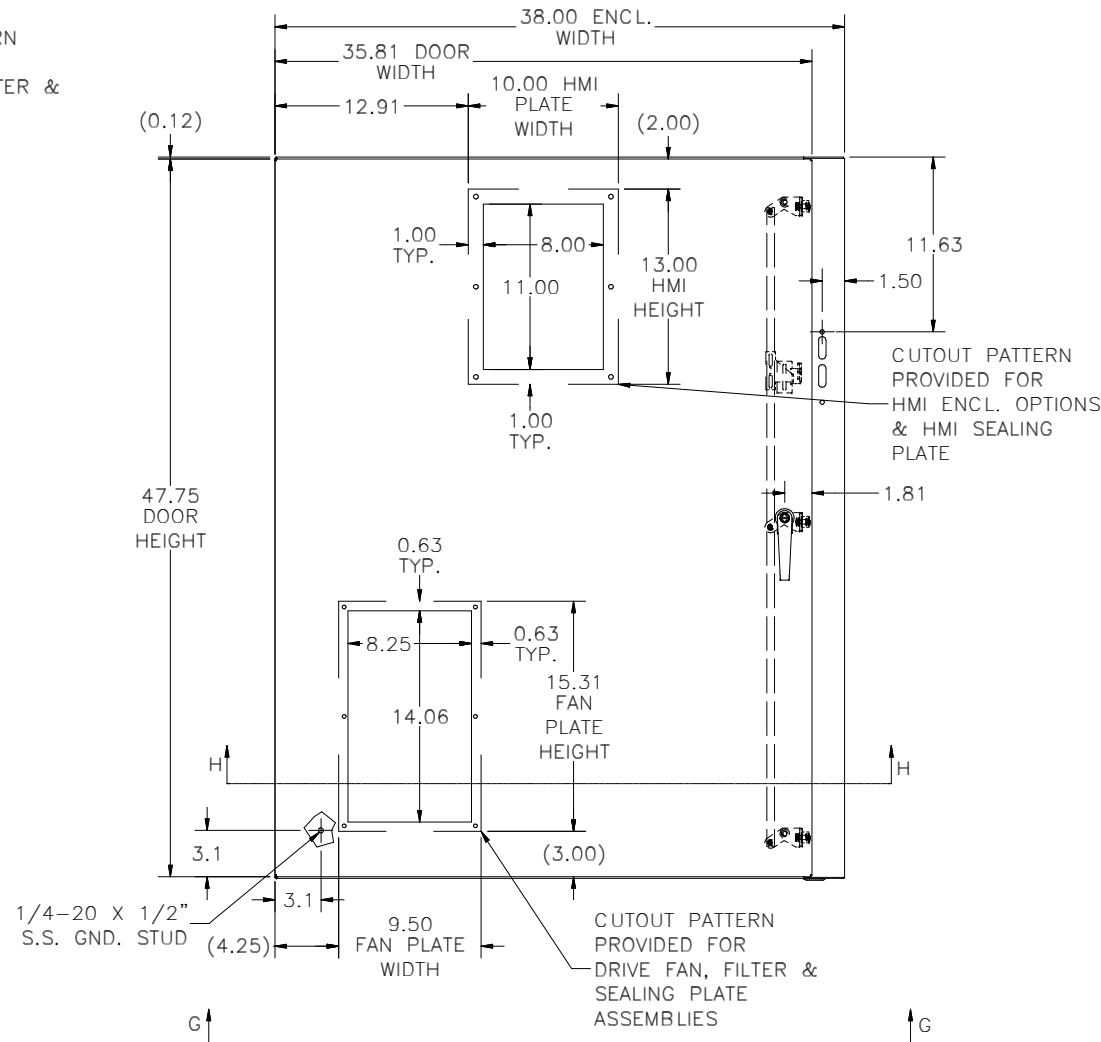
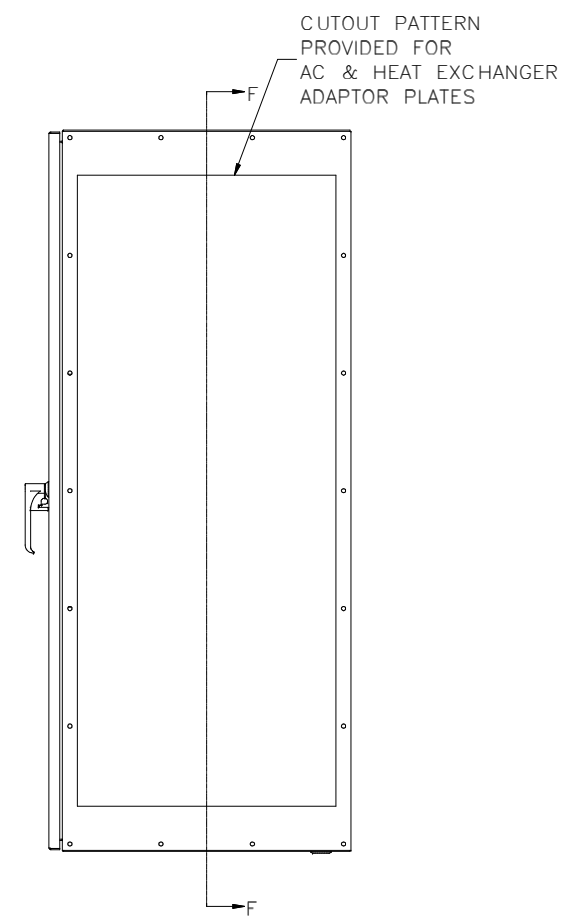


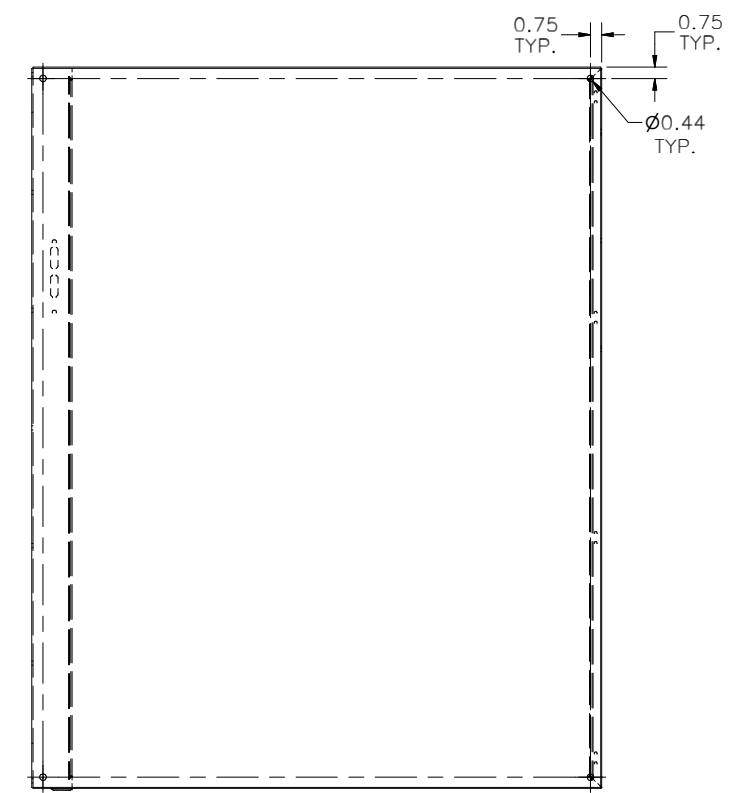
LEFT SIDE VIEW



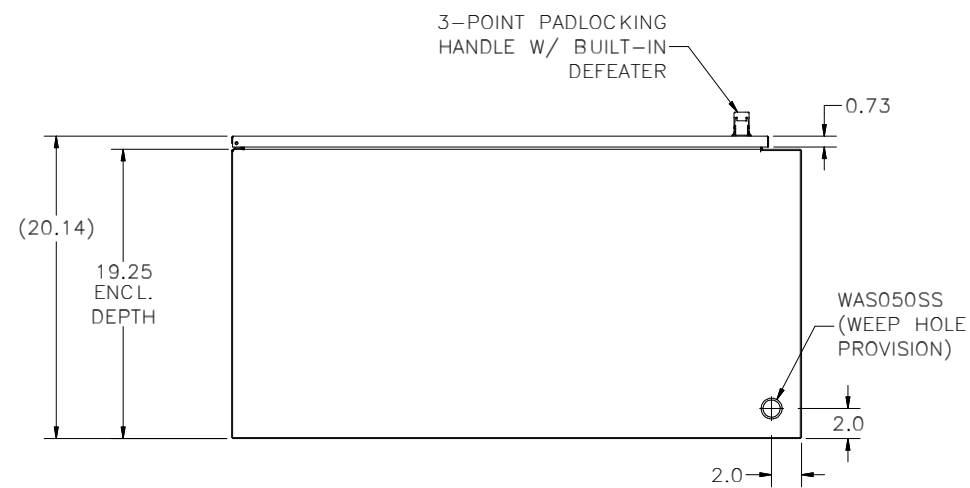
FRONT VIEW



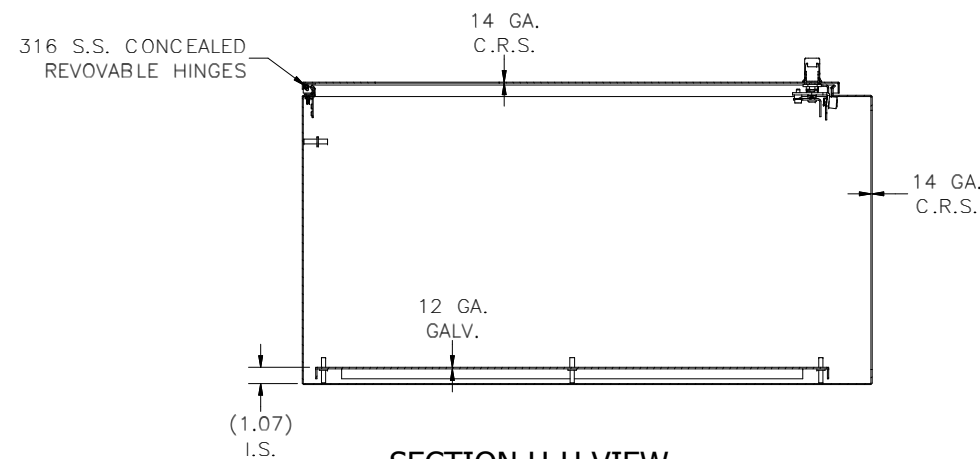
RIGHT SIDE VIEW



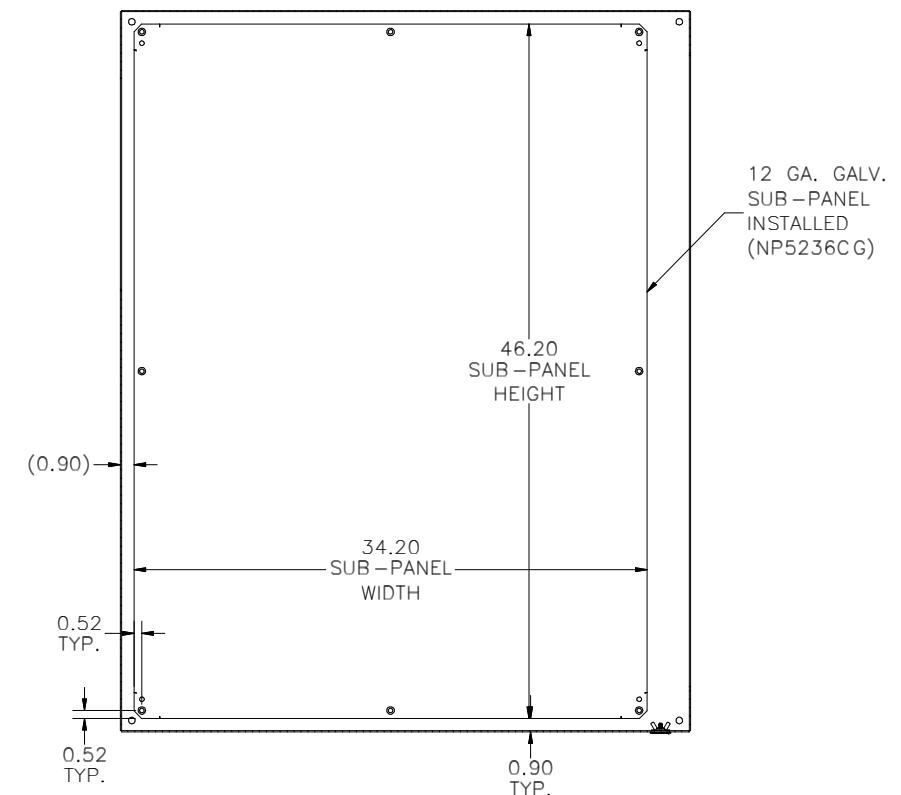
REAR VIEW



BOTTOM VIEW (SECTION G-G)



SECTION H-H VIEW (INSIDE TOP OF ENCL.)



SECTION F-F VIEW (FRONT VIEW OF SUB-PANEL)

PART#: DN412483819CDS

- MATERIAL:**
ENCLOSURE: 14 GA. C.R.S.
SUB-PANEL: 12 GA. GALV.
- GROUNDING PROVISIONS PROVIDED ON TUB & LID OF ENCL.
- ENCL. IS SEAM WELDED & GROUND SMOOTH.
- DOOR IS SEALED WITH FOAM-IN-PLACE GASKET.
- ENCLOSURE IS UL RATED NEMA 4/3R.
- DOOR IS SECURED SHUT WITH 3-POINT PADLOCKING HANDLE WITH BUILT IN DEFEATER.
- COLLAR STUDS SUPPLIED FOR MOUNTING SUB-PANEL.
- FINISH:**
ENCLOSURE: PCT89104 WHITE (TEXTURE) POLYESTER POWDER (INTERIOR & EXTERIOR).
SUB-PANEL: GALVANIZED FINISH (NO PAINT).
- DATA IS SUBJECT TO CHANGE WITHOUT NOTICE.