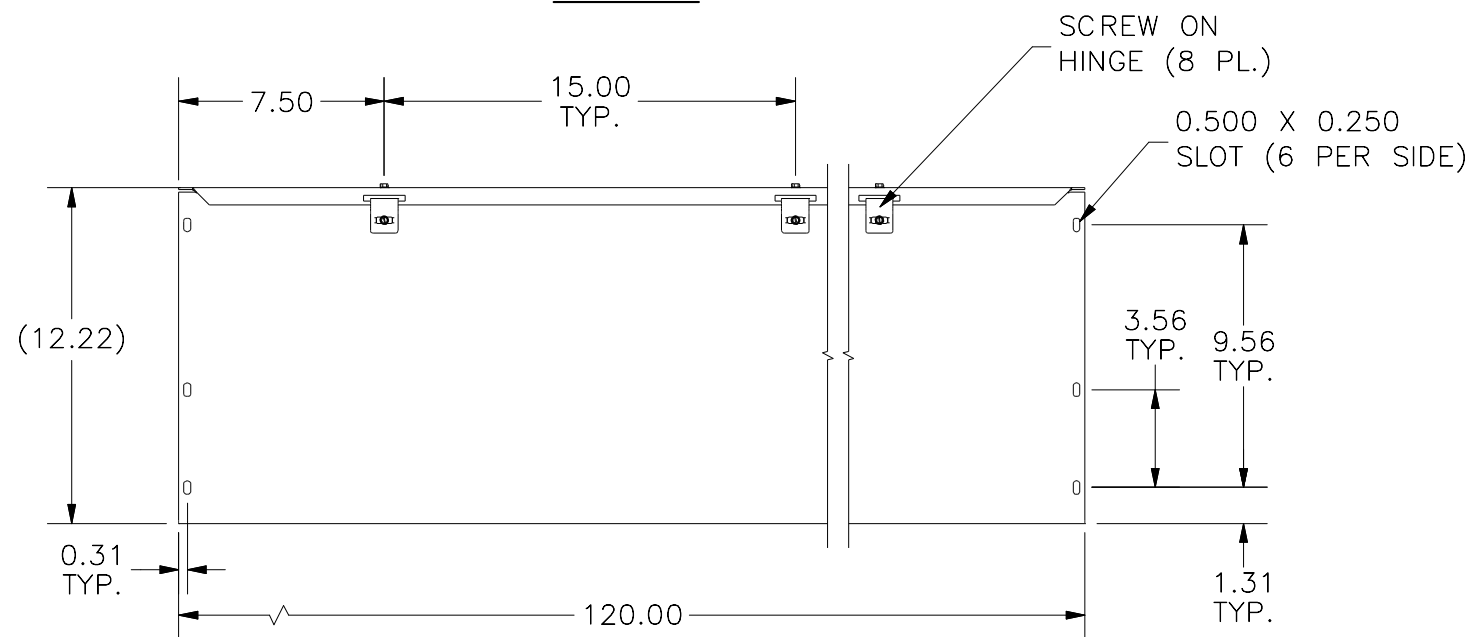
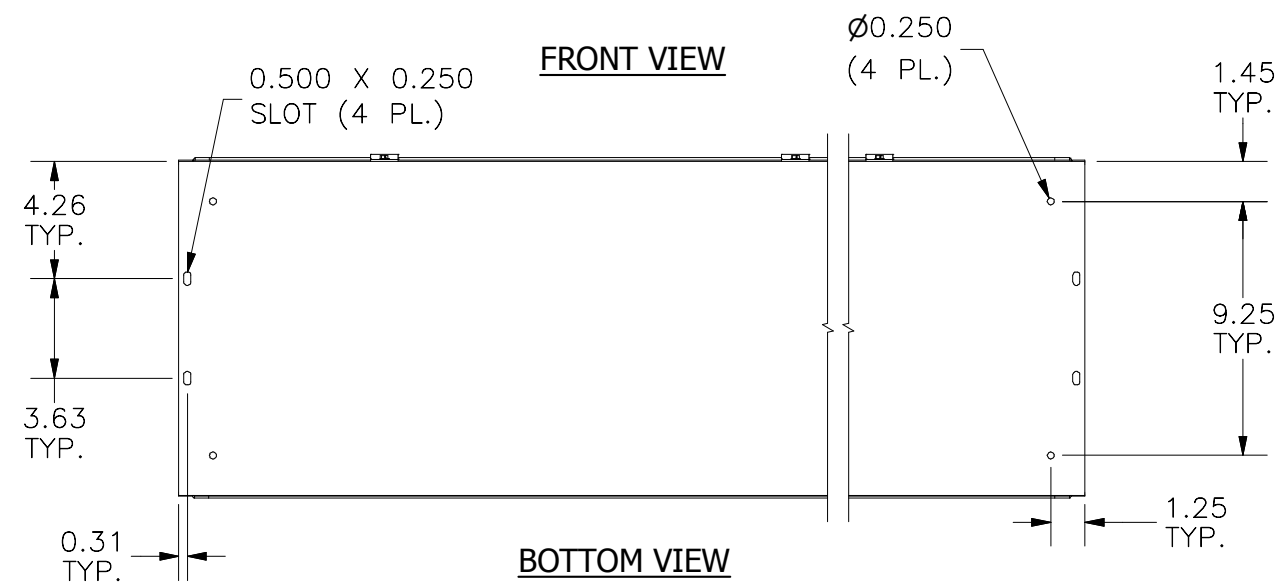


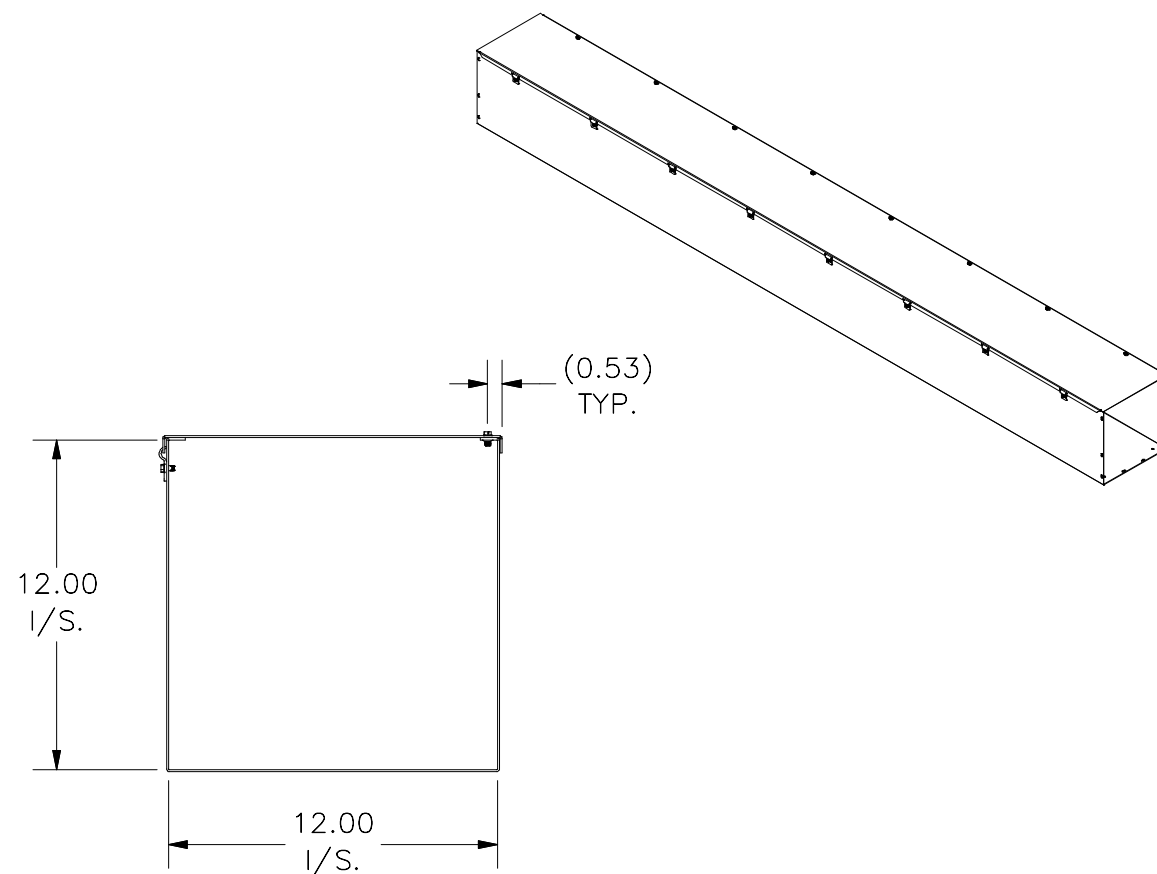
TOP VIEW



FRONT VIEW



BOTTOM VIEW



RIGHT VIEW

PART#: HS121210NK  
(DATA SUBJECT TO CHANGE WITHOUT NOTICE)

THIS DRAWING IS PROPERTY OF HUBBELL INC. WIEGMANN  
ALL INFORMATION IS PROPRIETARY AND NOT TO BE DUPLICATED