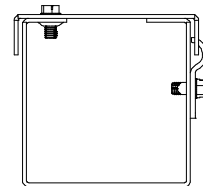
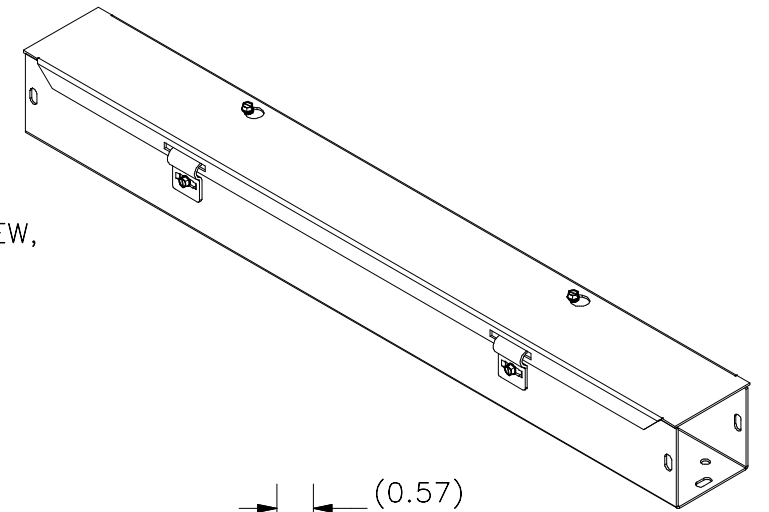
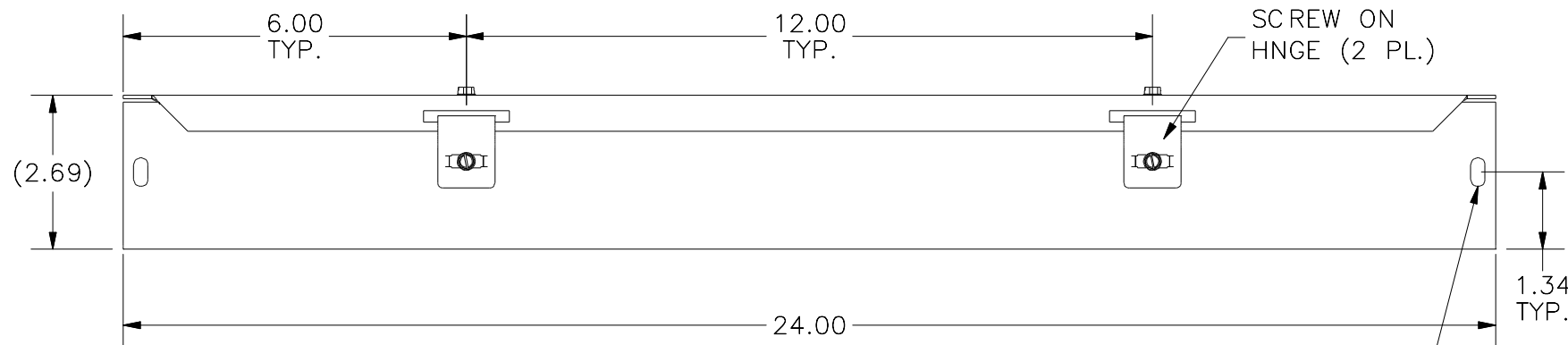


TOP VIEW

#10-32 X 3/8" SCREW,
SELF-TAPPING (2 PL.)



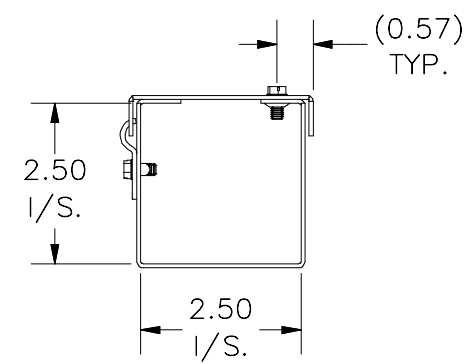
LEFT VIEW



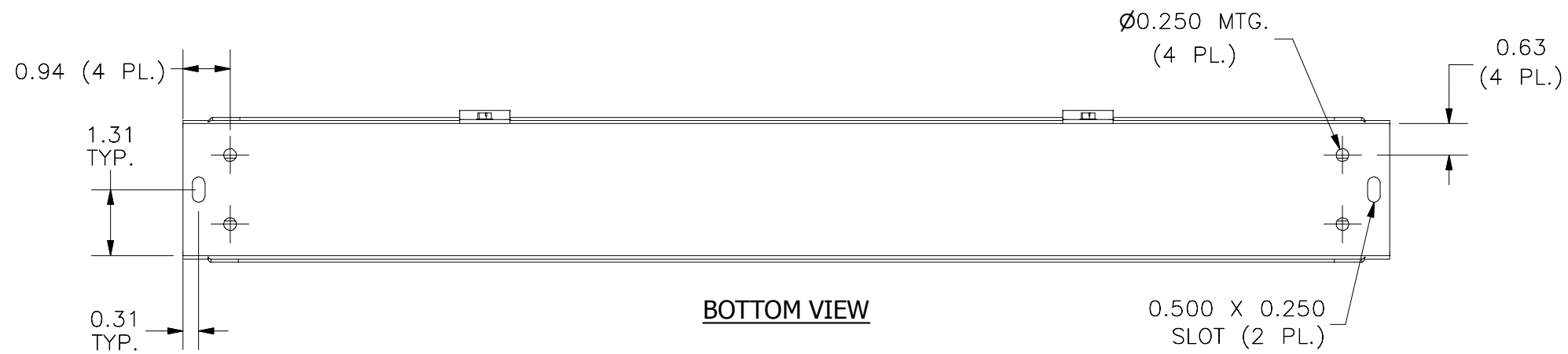
FRONT VIEW

SCREW ON
HNGE (2 PL.)

0.500 X 0.250
SLOT (2 PER SIDE)



RIGHT VIEW



BOTTOM VIEW

PART#: HS222NK
(DATA SUBJECT TO CHANGE WITHOUT NOTICE)

THIS DRAWING IS PROPERTY OF HUBBELL INC. WIEGMANN
ALL INFORMATION IS PROPRIETARY AND NOT TO BE DUPLICATED