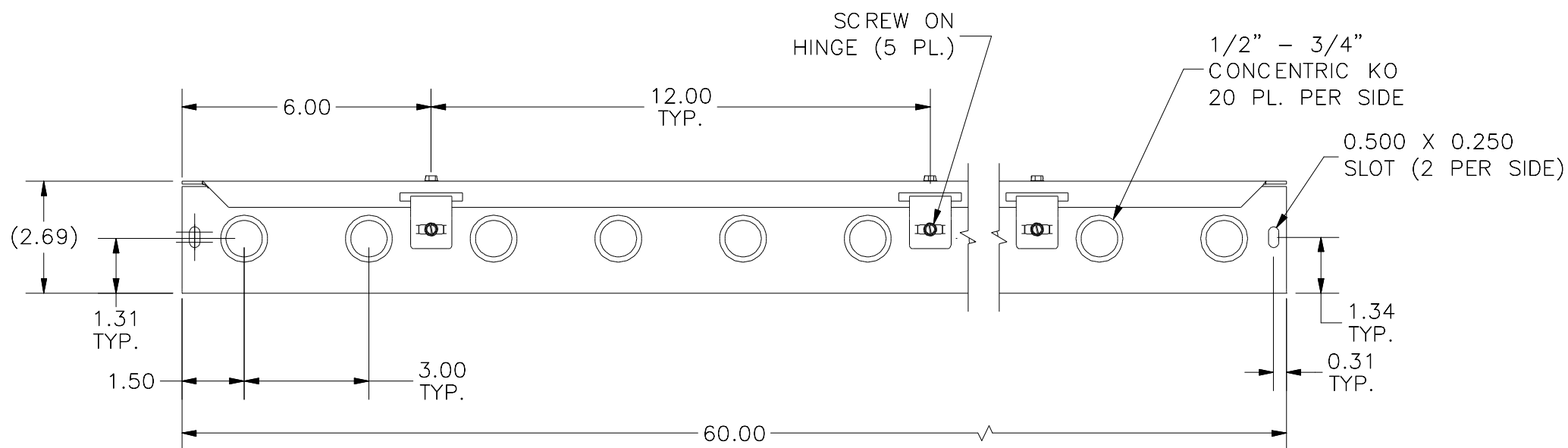
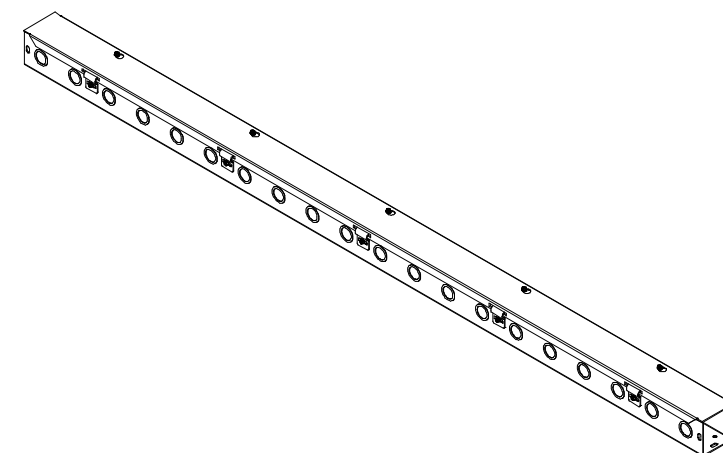
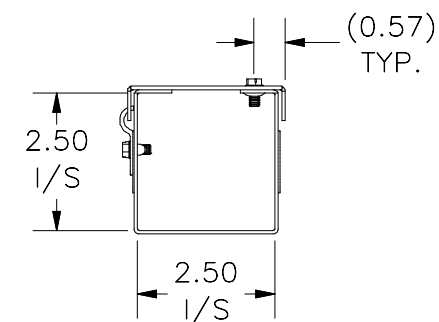


**TOP VIEW**

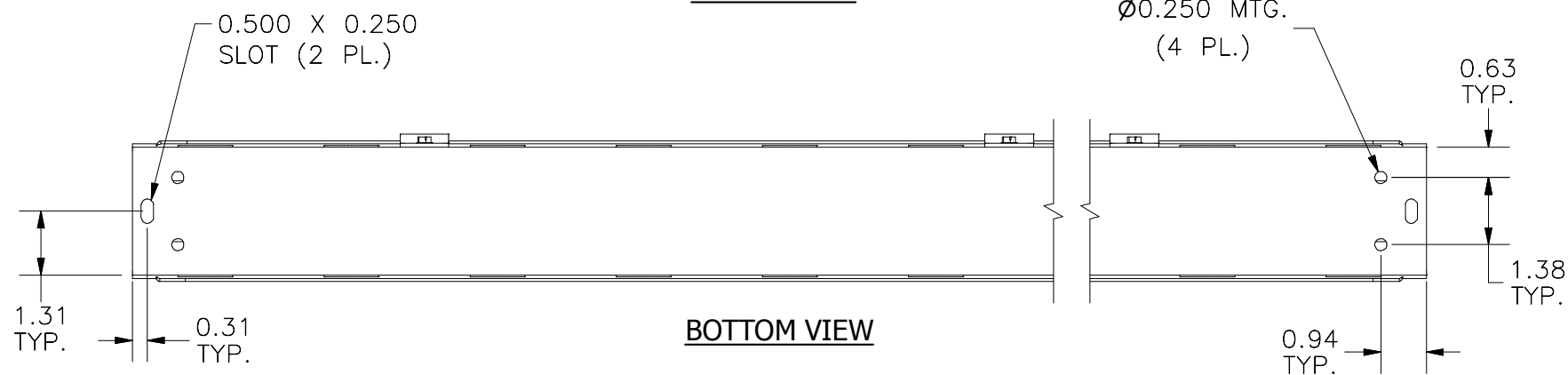
#10-32 X 3/8" SCREW,  
SELF-TAPPING (5 PL.)



**FRONT VIEW**



**RIGHT VIEW**



**BOTTOM VIEW**

PART#: HS225  
(DATA SUBJECT TO CHANGE WITHOUT NOTICE)

THIS DRAWING IS PROPERTY OF HUBBELL INC. WIEGMANN  
ALL INFORMATION IS PROPRIETARY AND NOT TO BE DUPLICATED