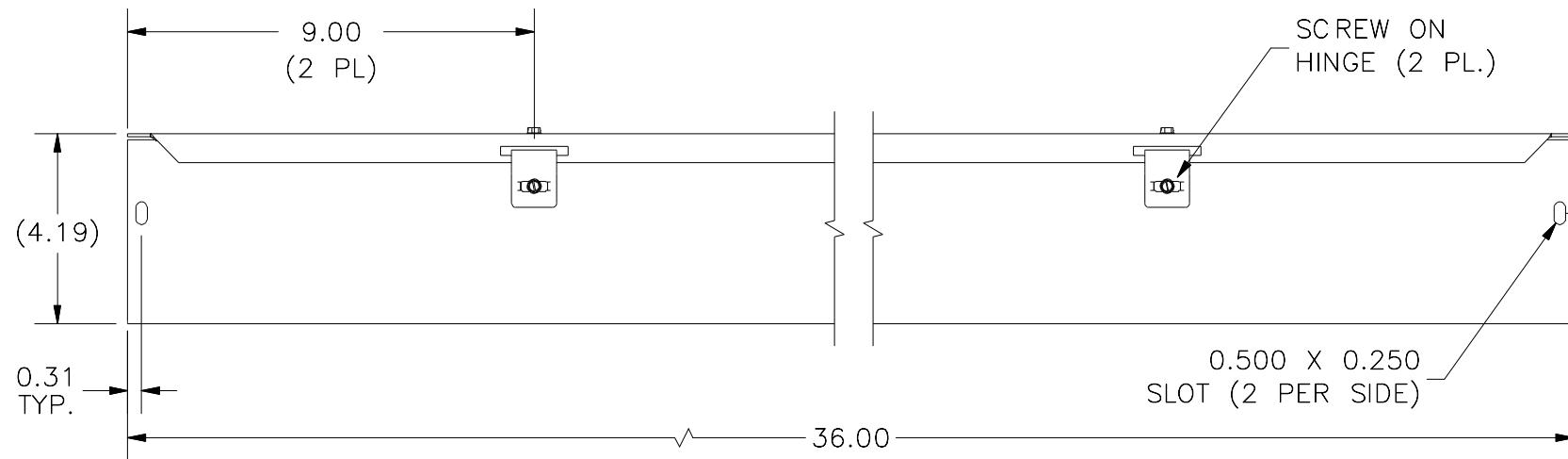
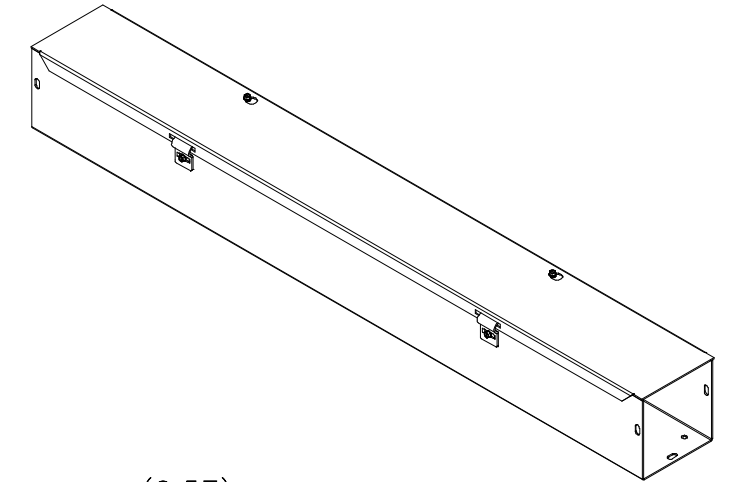


4.38
LID
WIDTH

TOP VIEW

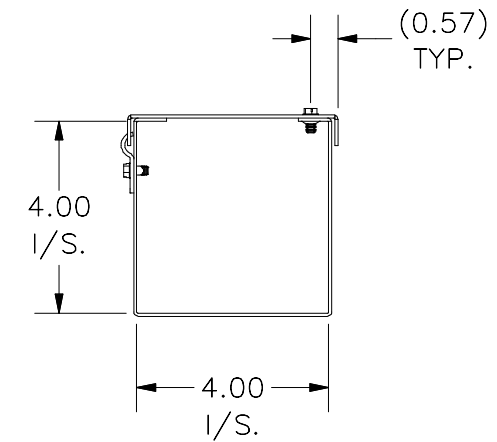
#10-32 X 3/8" SCREW,
SELF-TAPPING (2 PL.)



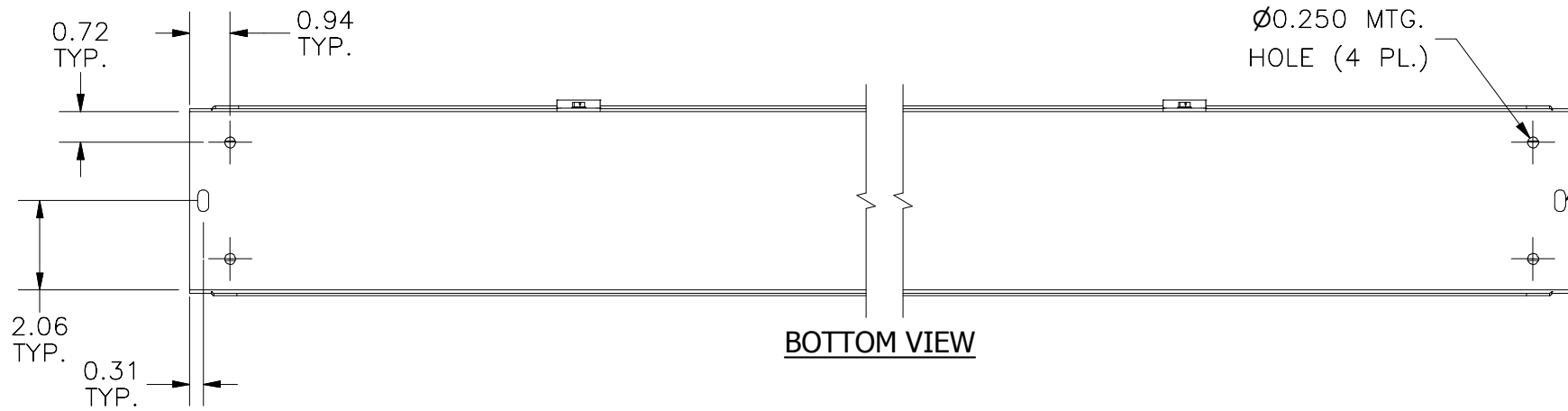
SCREW ON
HINGE (2 PL.)

0.500 X 0.250
SLOT (2 PER SIDE)

FRONT VIEW



RIGHT VIEW



Ø0.250 MTG.
HOLE (4 PL.)

0.500 X 0.250
SLOT (2 PL.)

BOTTOM VIEW

PART#: HS443NK
(DATA SUBJECT TO CHANGE WITHOUT NOTICE)

THIS DRAWING IS PROPERTY OF HUBBELL INC. WIEGMANN
ALL INFORMATION IS PROPRIETARY AND NOT TO BE DUPLICATED