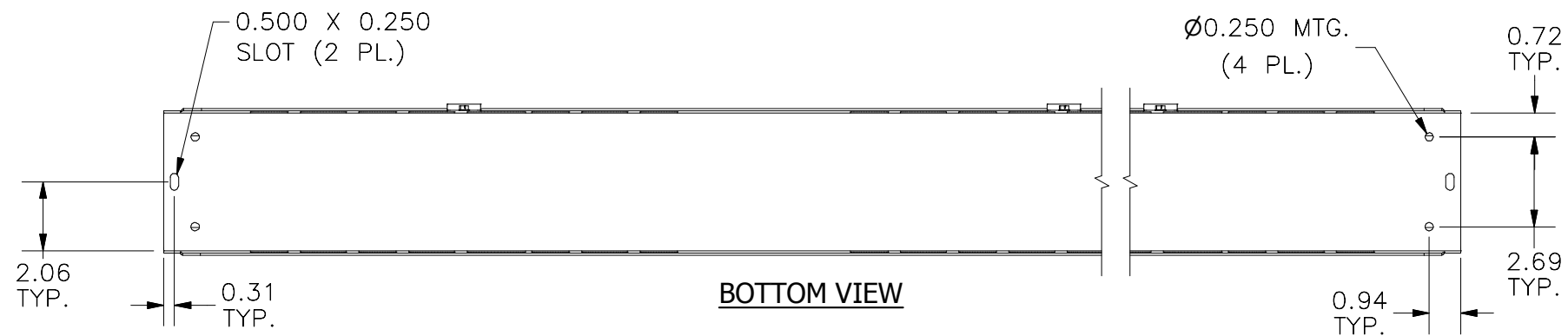


**DETAIL A (4 PL. PER SIDE)**  
**K.O. PATTERN DESCRIPTION**

- A) 3/4"-1" CONCENTRIC KO (2 PL)
- B) 1/2"-3/4" CONCENTRIC KO (2 PL)
- C) 1" SOLID KO (1 PL)
- D) 1 1/4" SOLID KO (1 PL)
- E) 3/4" SOLID KO (2 PL)



PART#: HS446  
(DATA SUBJECT TO CHANGE WITHOUT NOTICE)

THIS DRAWING IS PROPERTY OF HUBBELL INC. WIEGMANN  
ALL INFORMATION IS PROPRIETARY AND NOT TO BE DUPLICATED