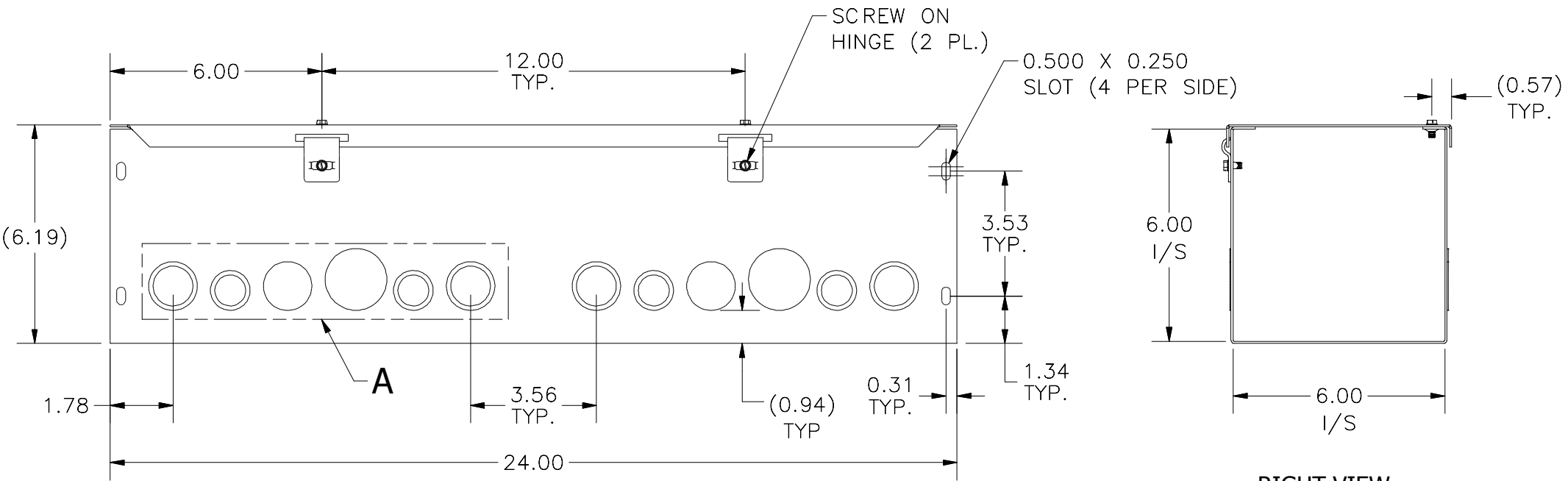
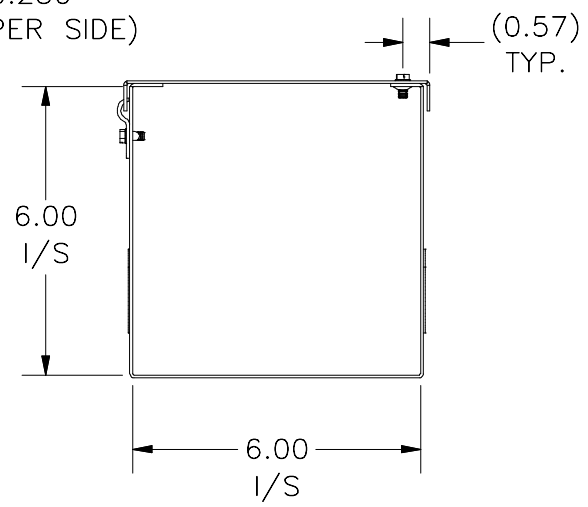


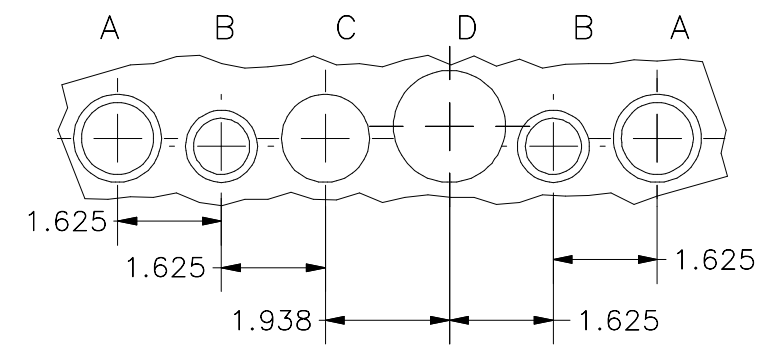
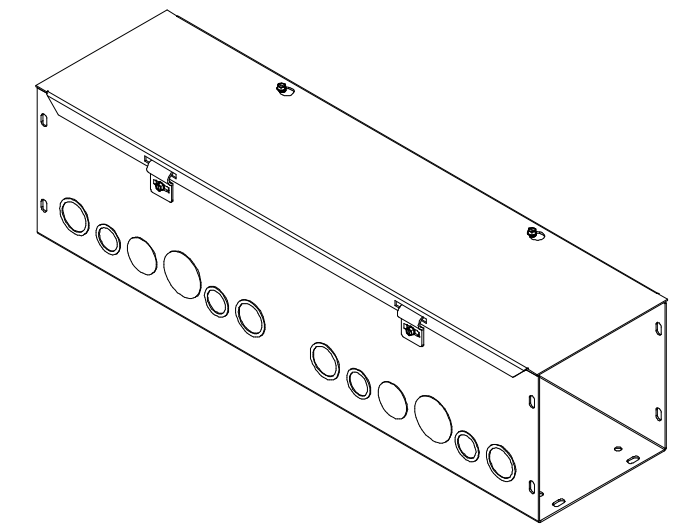
TOP VIEW



FRONT VIEW

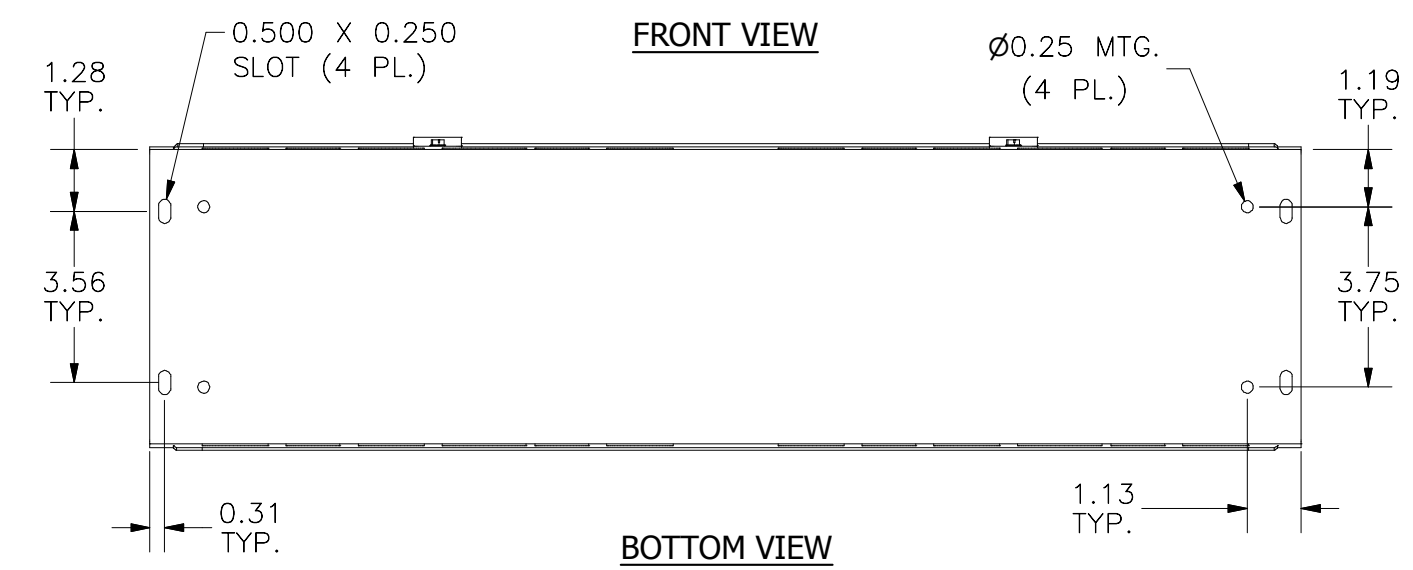


RIGHT VIEW



**DETAIL A (2 PL. PER SIDE)
K.O. PATTERN DESCRIPTION**

- A) 3/4"-1" CONCENTRIC KO (4 PL)
- B) 1/2"-3/4" CONCENTRIC KO (4 PL)
- C) 1" SOLID KO (2 PL)
- D) 1 1/4" SOLID KO (2 PL)



BOTTOM VIEW

PART#: HS662
(DATA SUBJECT TO CHANGE WITHOUT NOTICE)