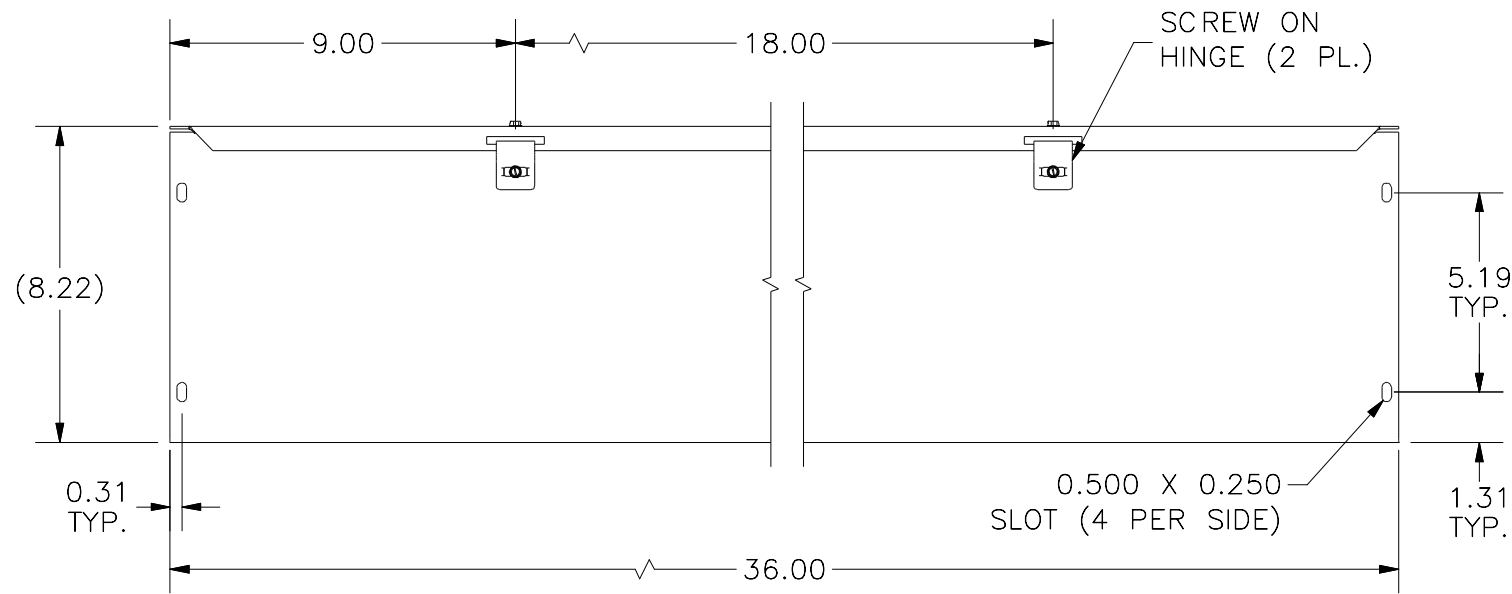
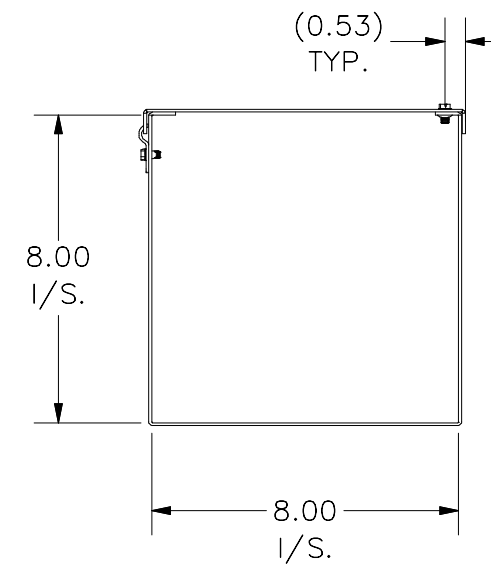


#10-32 X 3/8" SCREW,
SELF-TAPPING (2 PL.)

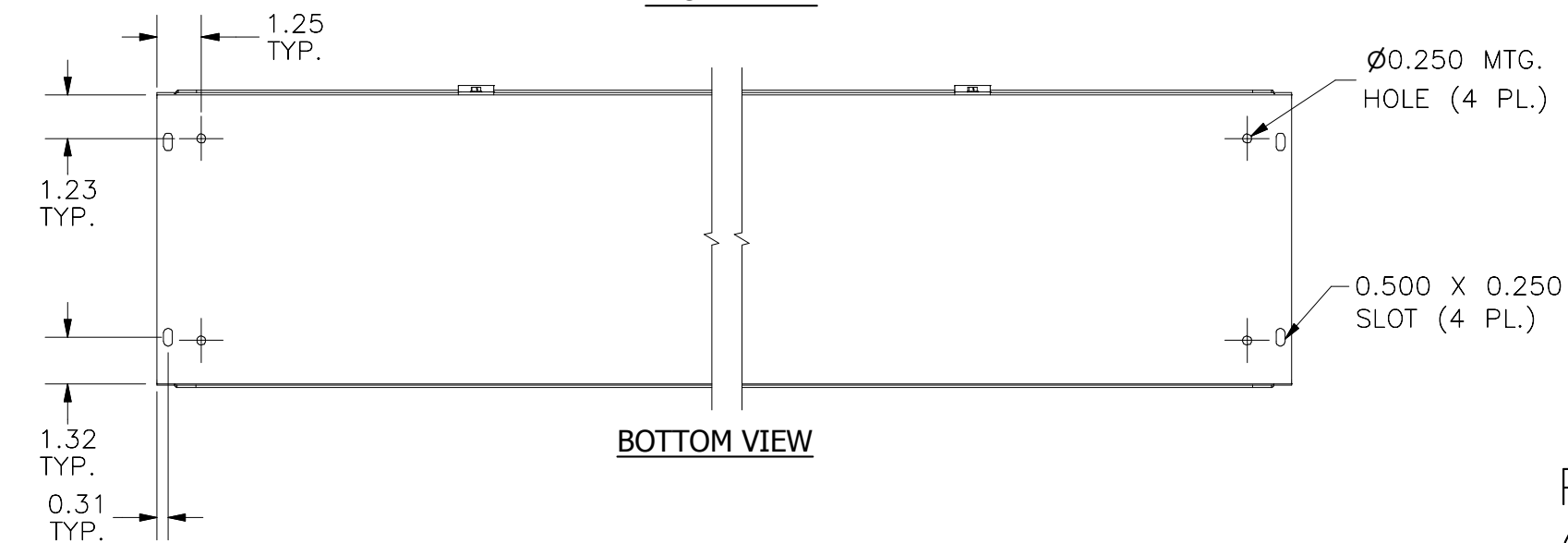
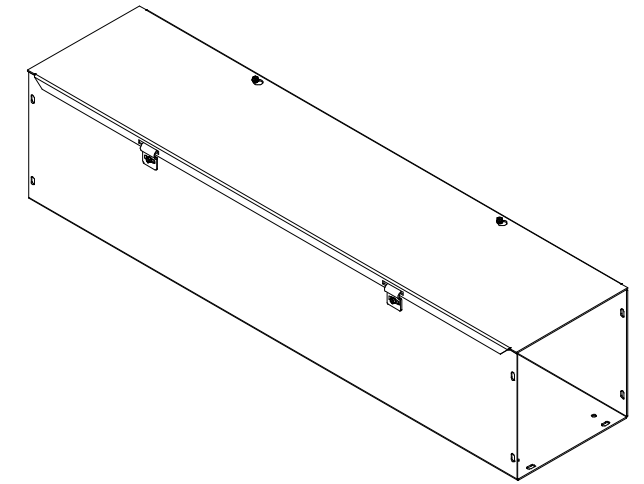
TOP VIEW



FRONT VIEW



RIGHT VIEW



BOTTOM VIEW

PART#: HS883NK
(DATA SUBJECT TO CHANGE WITHOUT NOTICE)

THIS DRAWING IS PROPERTY OF HUBBELL INC. WIEGMANN
ALL INFORMATION IS PROPRIETARY AND NOT TO BE DUPLICATED