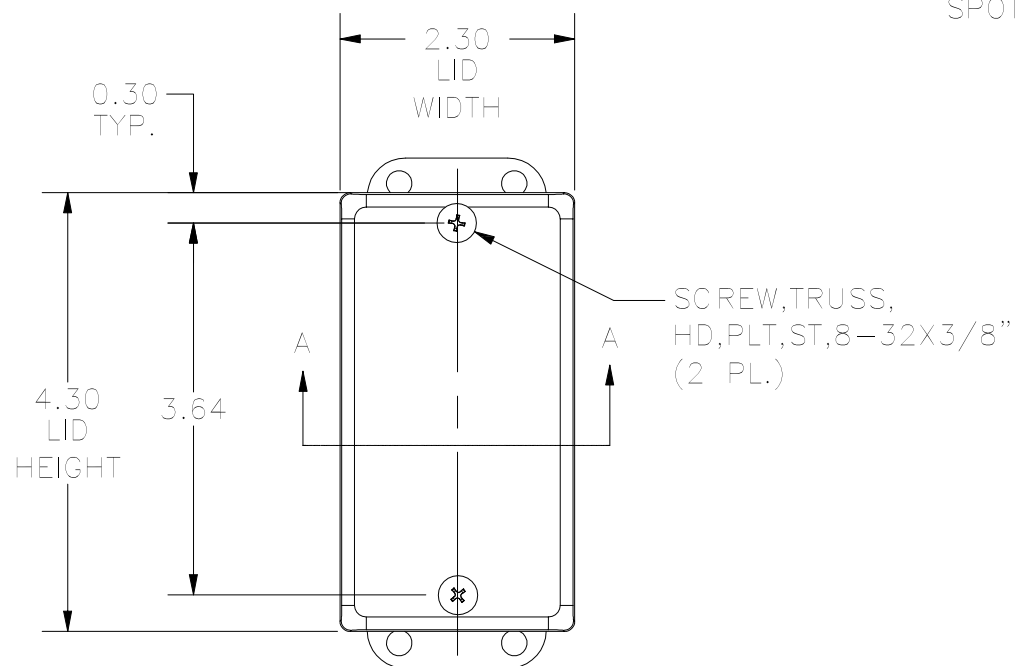
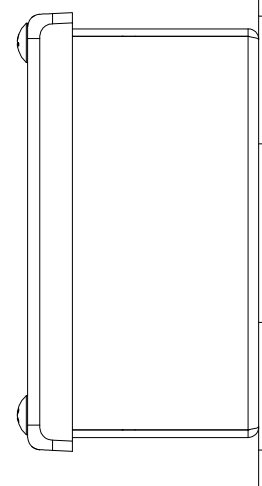


**TOP VIEW**

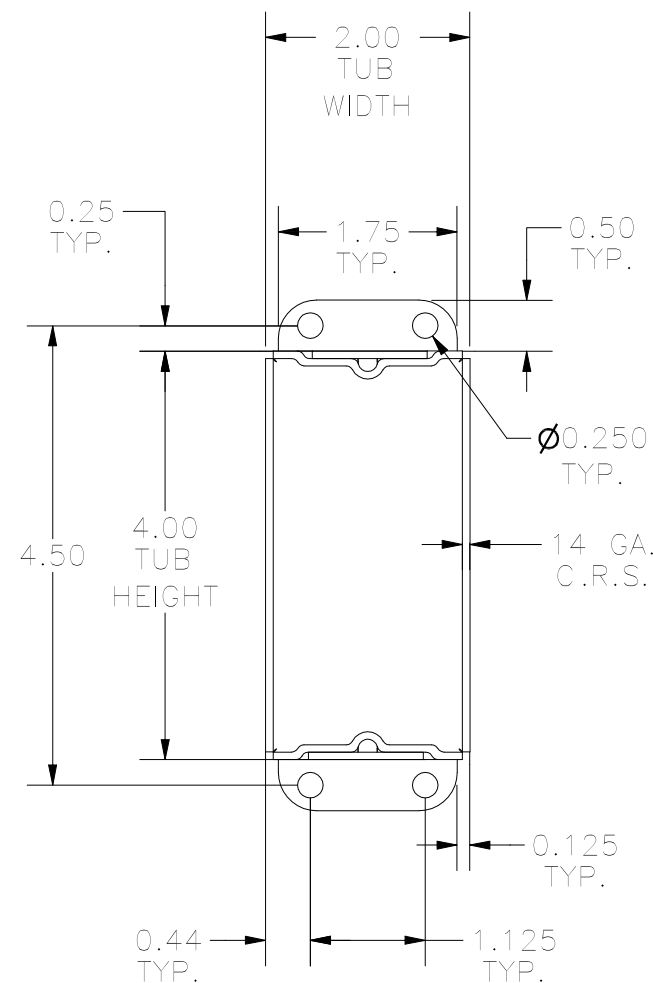
14 GA. C.R.S. MTG. FT. (2 PL.)  
SPOT WELD IN PLACE



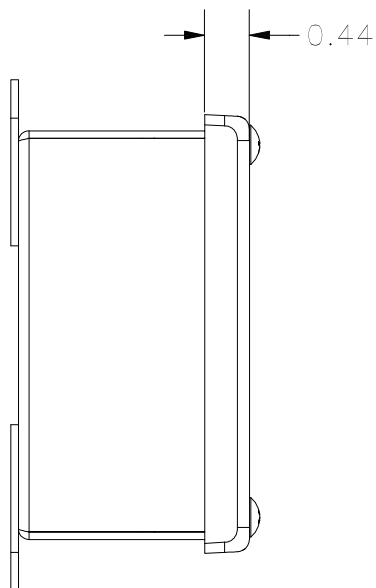
**FRONT VIEW**



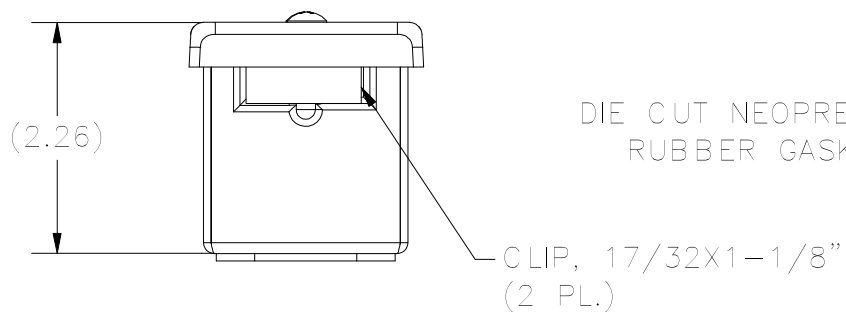
**RIGHT VIEW**



**VIEW SHOWING COVER REMOVED**

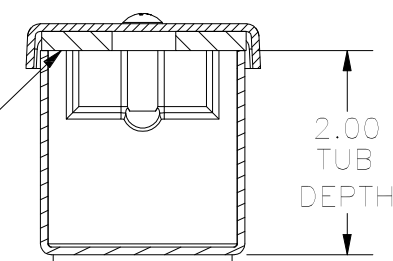


**LEFT VIEW**



**BOTTOM VIEW**

DIE CUT NEOPRENE  
RUBBER GASKET



**SECTION A-A**

PART#: JIC040202  
(DATA SUBJECT TO CHANGE WITHOUT NOTICE)

THIS DRAWING IS PROPERTY OF HUBBELL INC. WIEGMANN  
ALL INFORMATION IS PROPRIETARY AND NOT TO BE DUPLICATED