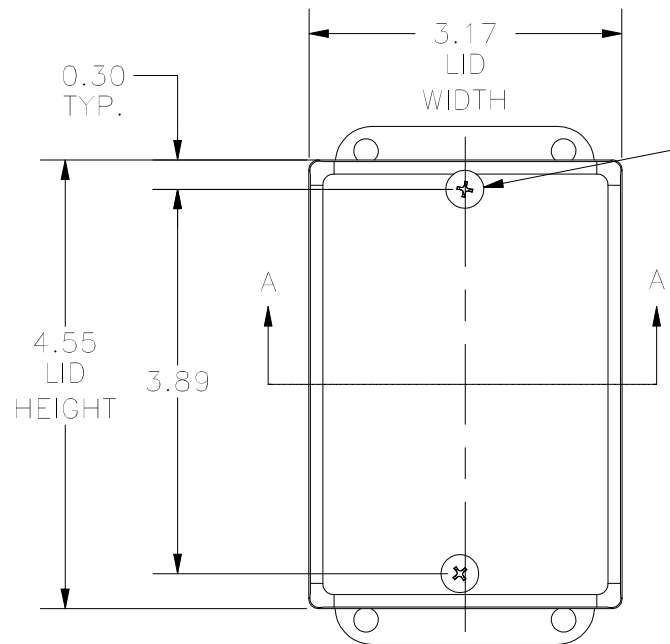


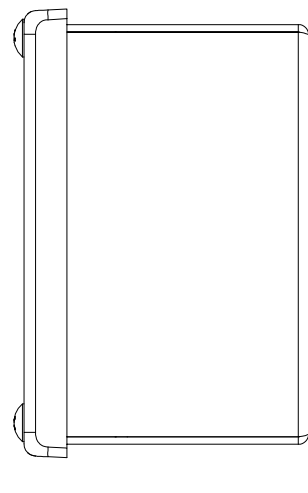
**TOP VIEW**

14 GA. C.R.S. MTG. FT. (2 PL.)  
SPOT WELD IN PLACE

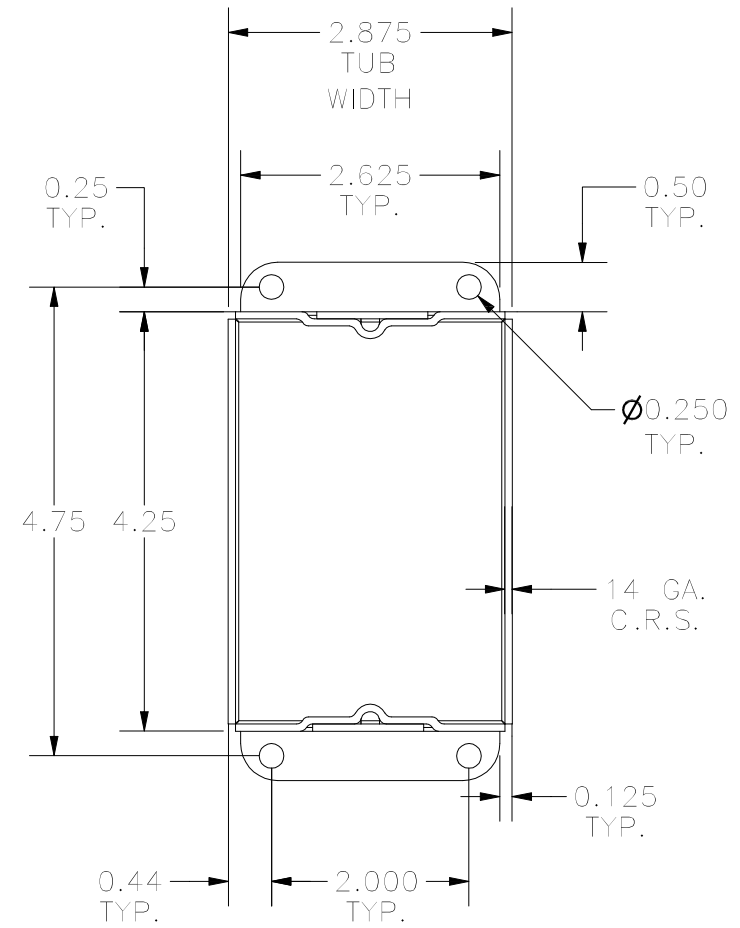


**FRONT VIEW**

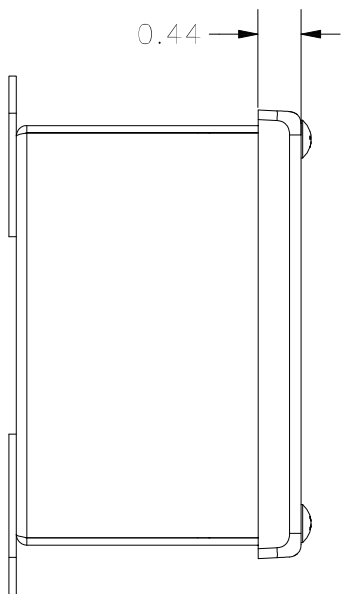
SCREW, TRUSS,  
HD, PLT, ST, 8-32X3/8"  
(2 PL.)



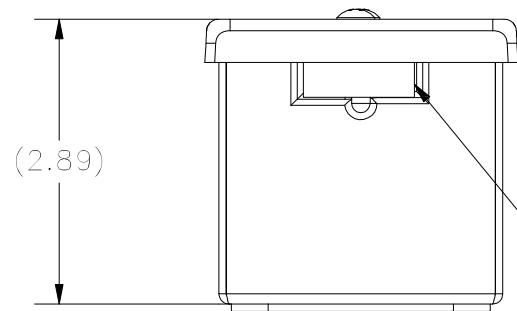
**RIGHT VIEW**



**VIEW SHOWING COVER REMOVED**



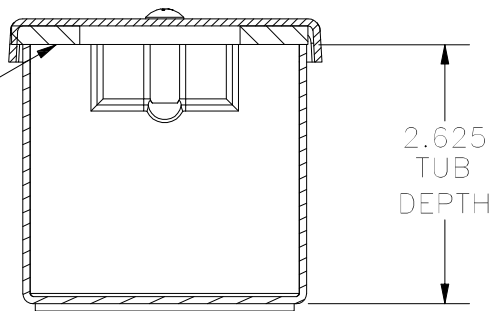
**LEFT VIEW**



**BOTTOM VIEW**

DIE CUT NEOPRENE  
RUBBER GASKET

CLIP, 17/32X1-1/8"  
(2 PL.)



**SECTION A-A**

PART#: JIC0403025  
(DATA SUBJECT TO CHANGE WITHOUT NOTICE)

THIS DRAWING IS PROPERTY OF HUBBELL INC. WIEGMANN  
ALL INFORMATION IS PROPRIETARY AND NOT TO BE DUPLICATED