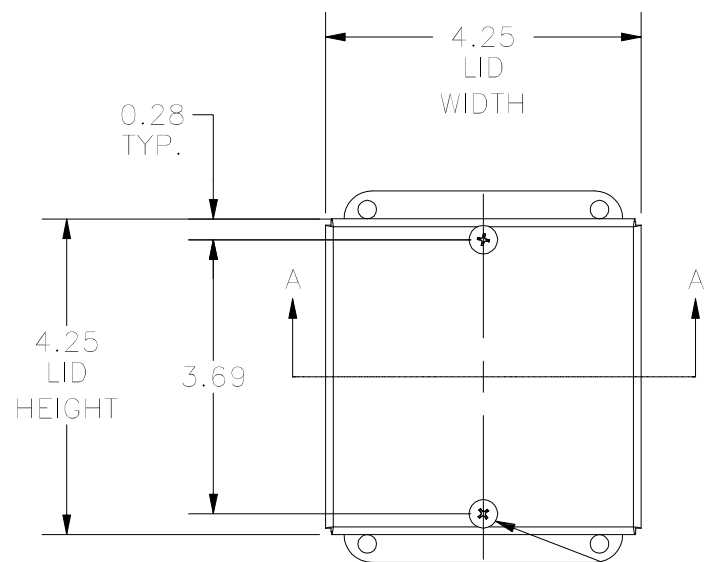
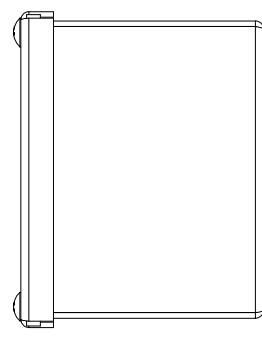


TOP VIEW

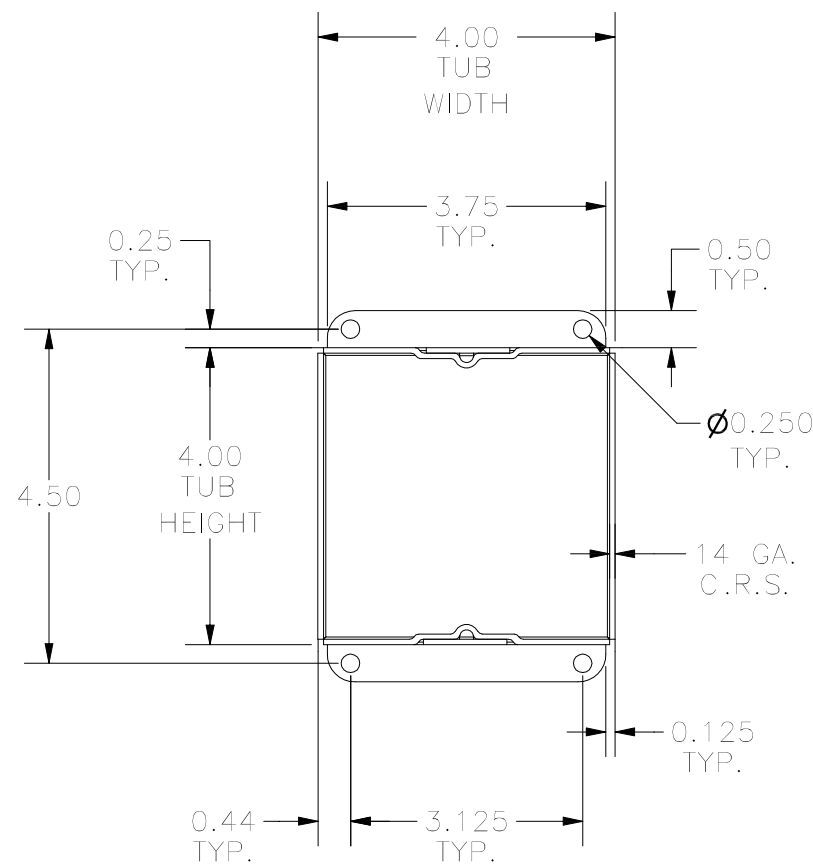


FRONT VIEW

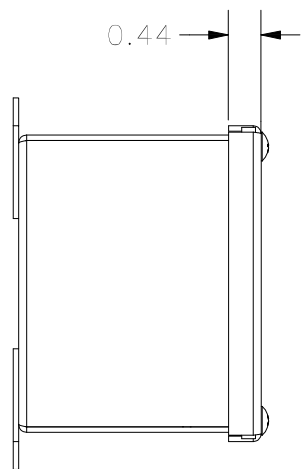
14 GA. C.R.S. MTG. FT. (2 PL.)
SPOT WELD IN PLACE



RIGHT VIEW

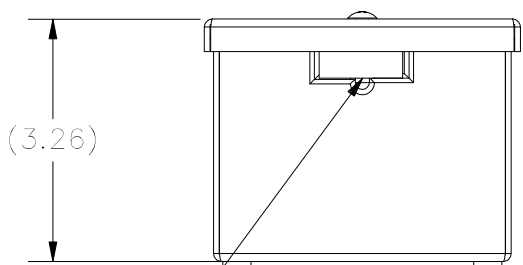


VIEW SHOWING COVER REMOVED



LEFT VIEW

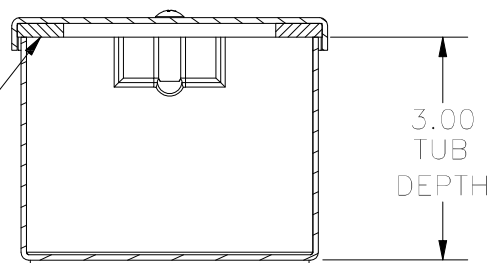
SCREW, TRUSS,
HD, PLT, ST, 8-32X3/8"
(2 PL.)



BOTTOM VIEW

CLIP, 17/32X1-1/8"
(2 PL.)

DIE CUT NEOPRENE
RUBBER GASKET
(2 PL.)



SECTION A-A

PART#: JIC040403

(DATA SUBJECT TO CHANGE WITHOUT NOTICE)

THIS DRAWING IS PROPERTY OF HUBBELL INC. WIEGMANN
ALL INFORMATION IS PROPRIETARY AND NOT TO BE DUPLICATED