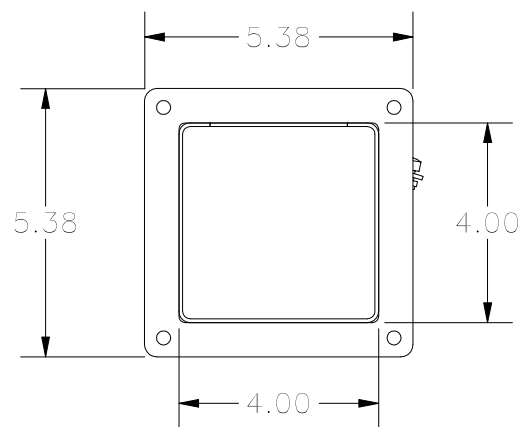
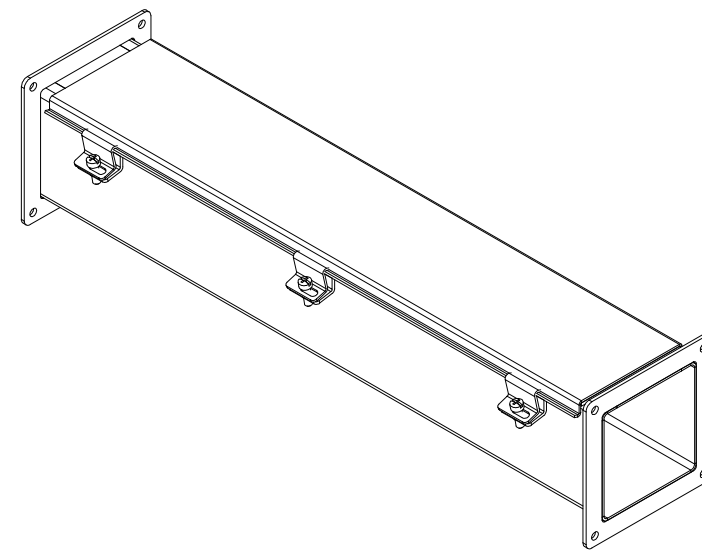
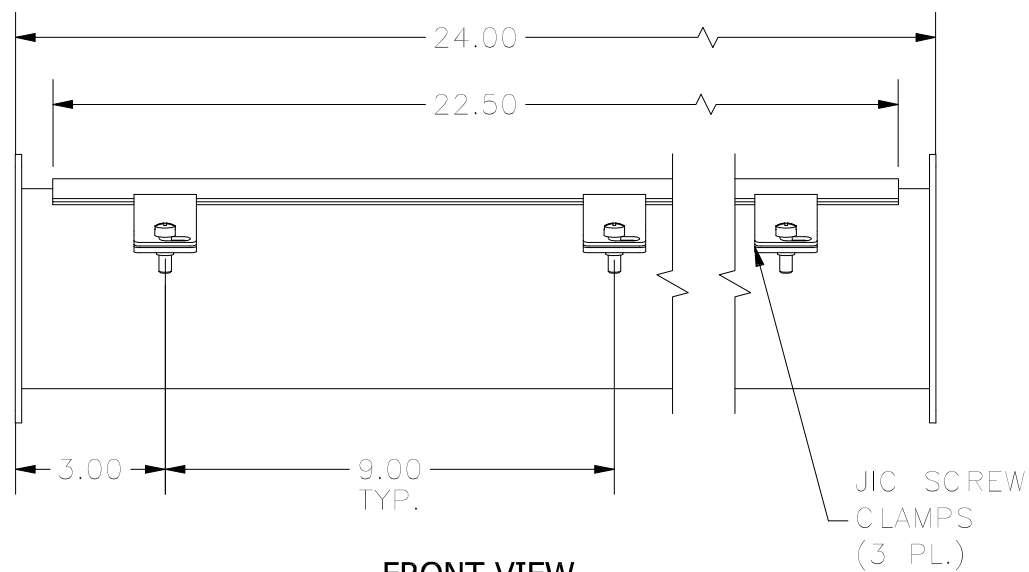


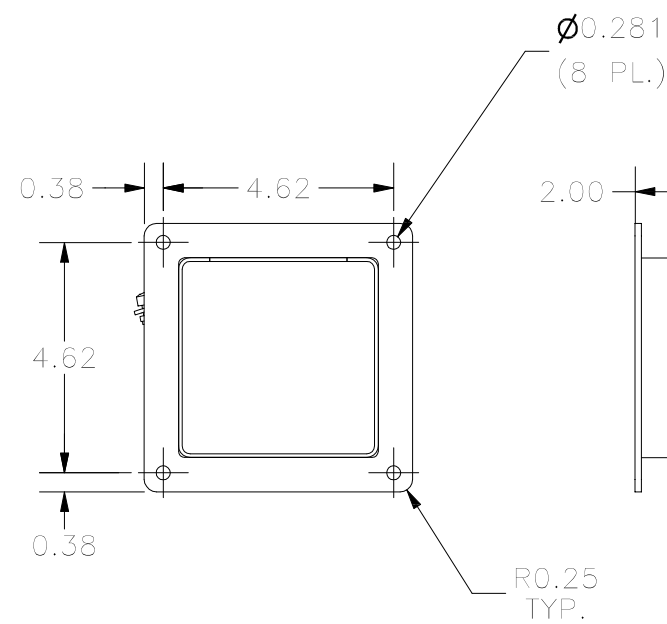
TOP VIEW



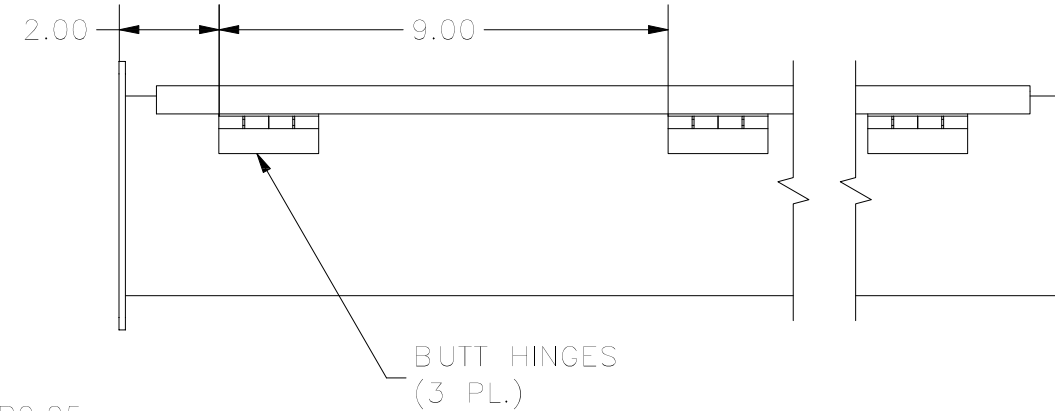
LEFT SIDE VIEW



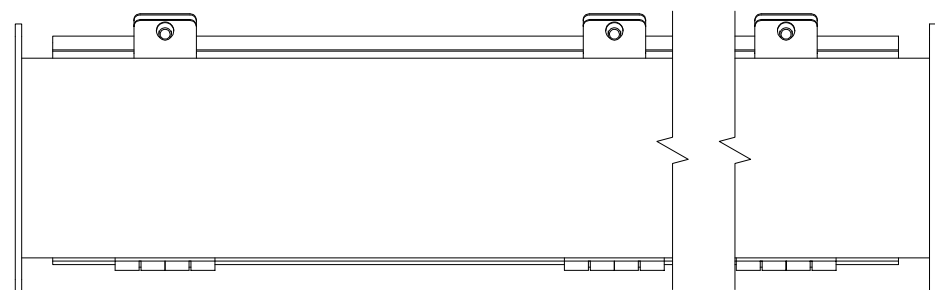
FRONT VIEW



RIGHT SIDE VIEW



BACK VIEW



BOTTOM VIEW

PART#: JW42
 (DATA SUBJECT TO CHANGE
 WITHOUT NOTICE)

THIS DRAWING IS PROPERTY OF HUBBELL INC.
 WIEGMANN
 ALL INFORMATION IS PROPRIETARY AND NOT TO BE
 DUPLICATED