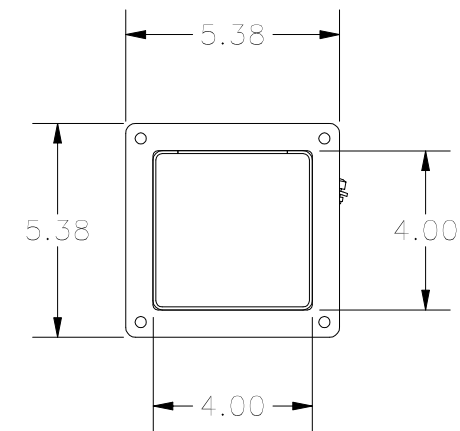
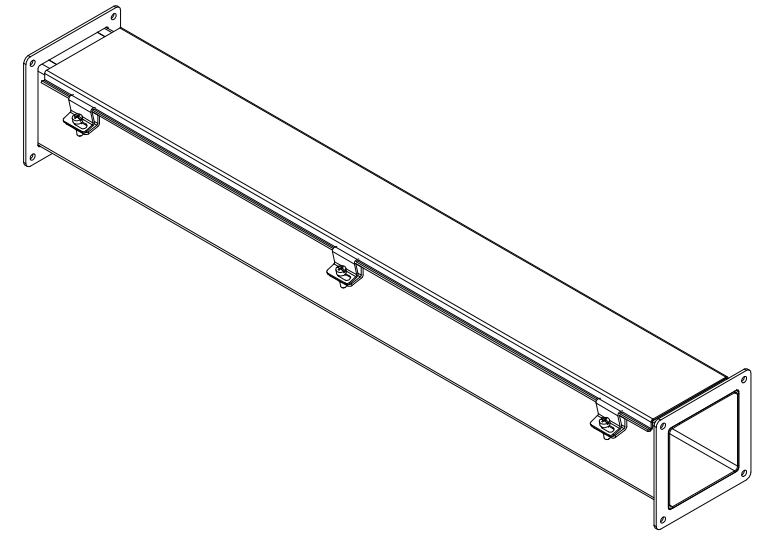
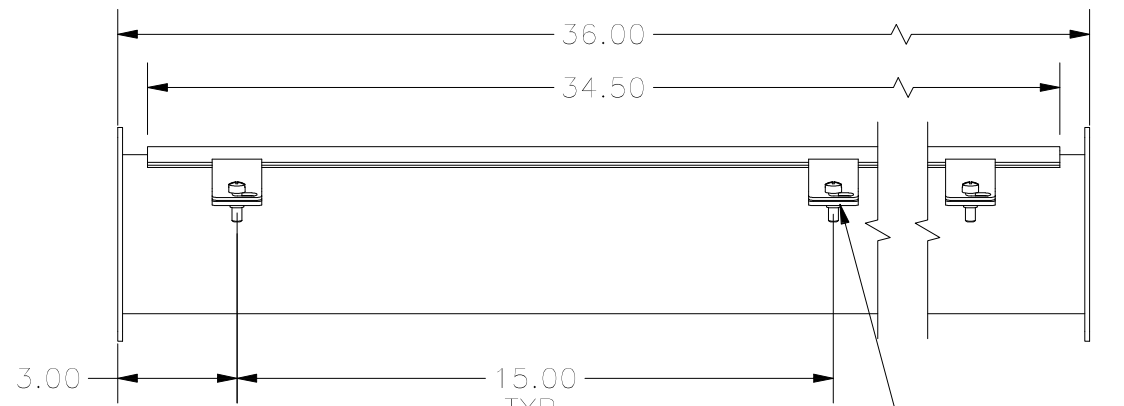


TOP VIEW

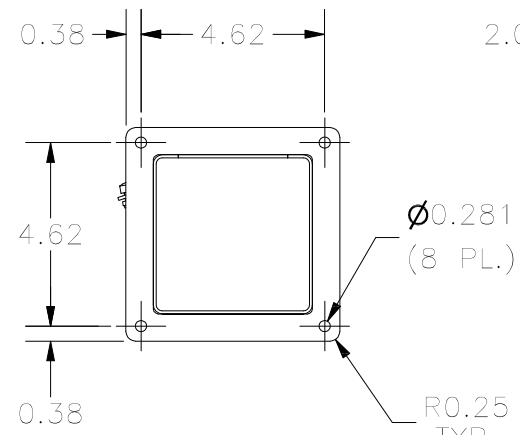


LEFT SIDE VIEW

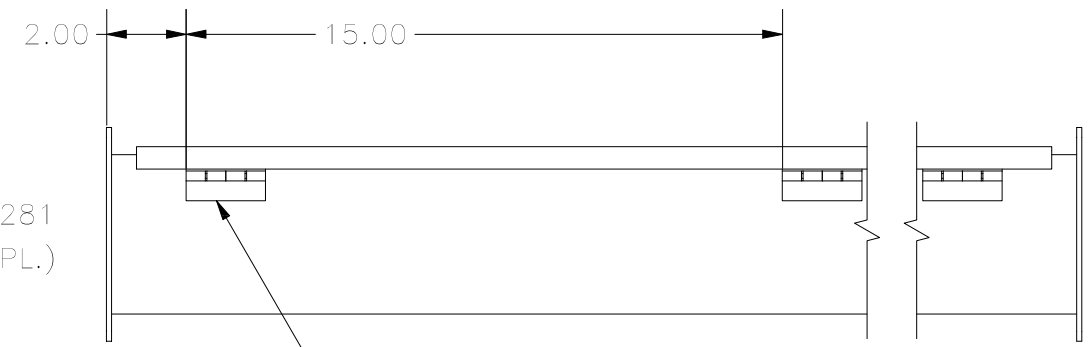


FRONT VIEW

JIC SCREW  
CLAMPS  
(3 PL.)

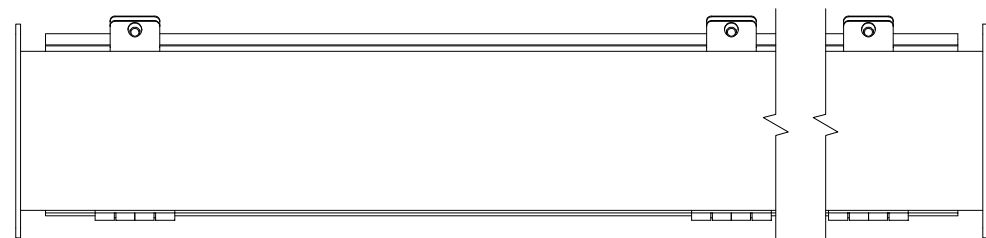


RIGHT SIDE VIEW



BACK VIEW

BUTT HINGES  
(3 PL.)



BOTTOM VIEW

PART#: JW43  
(DATA SUBJECT TO CHANGE  
WITHOUT NOTICE)

THIS DRAWING IS PROPERTY OF HUBBELL INC.  
WIEGMANN  
ALL INFORMATION IS PROPRIETARY AND NOT TO BE  
DUPLICATED