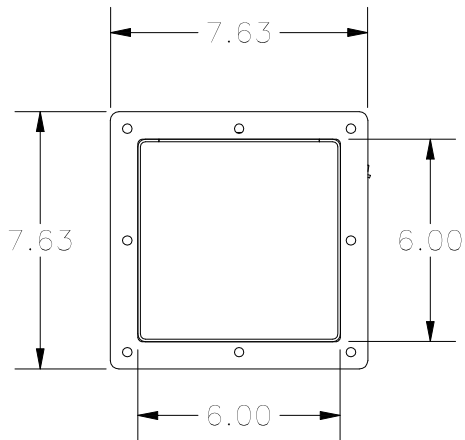
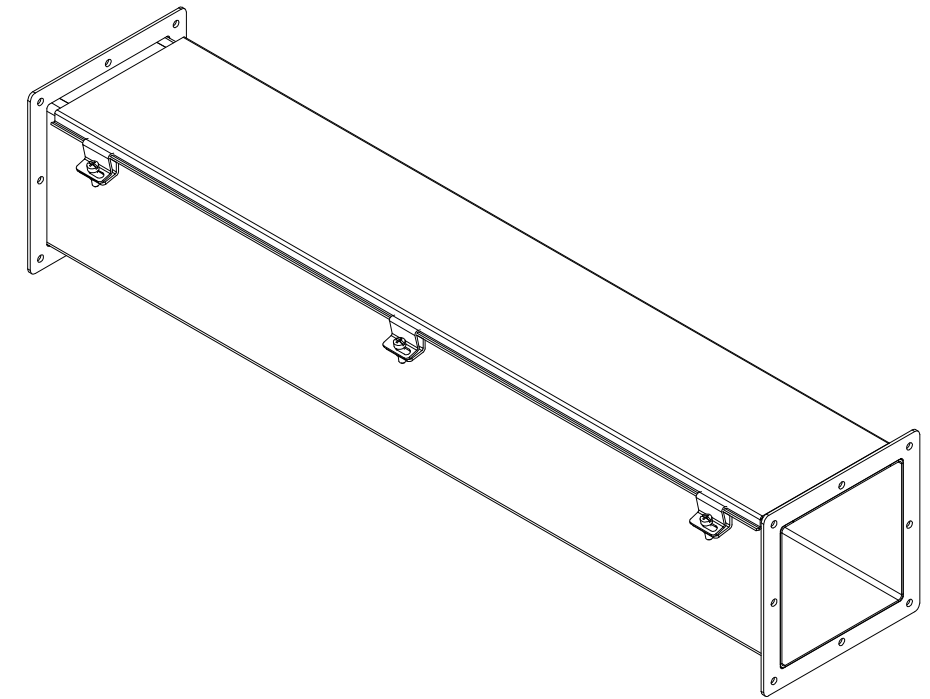
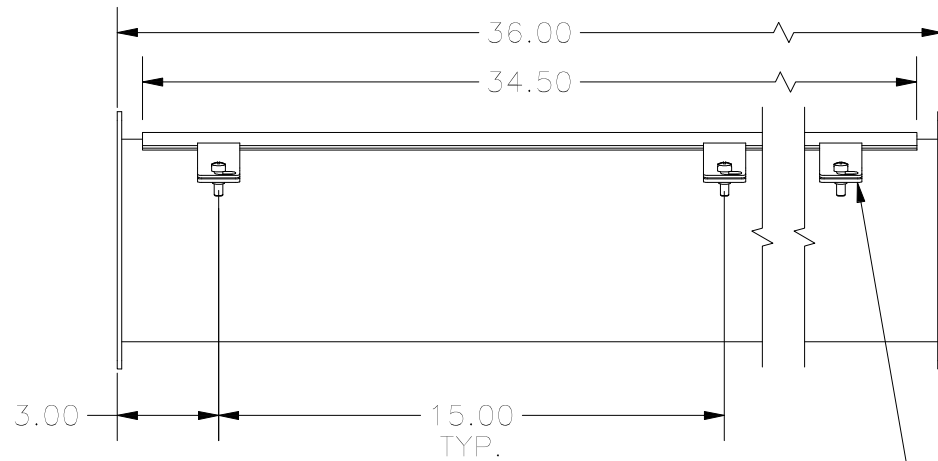


**TOP VIEW**

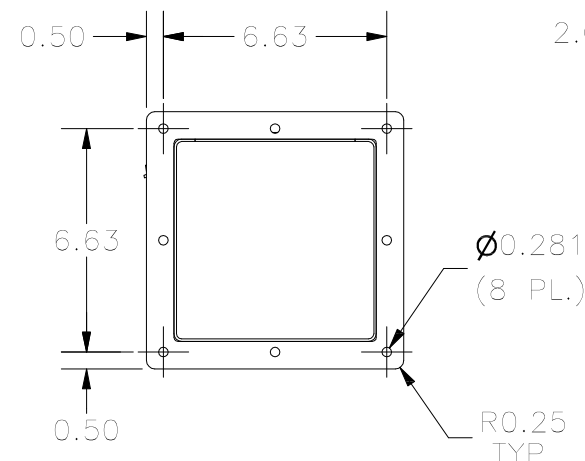


**LEFT SIDE VIEW**

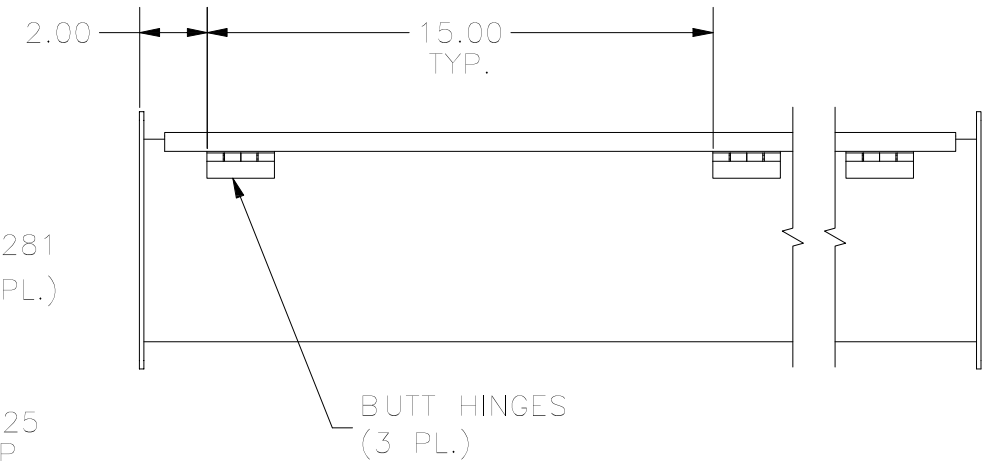


**FRONT VIEW**

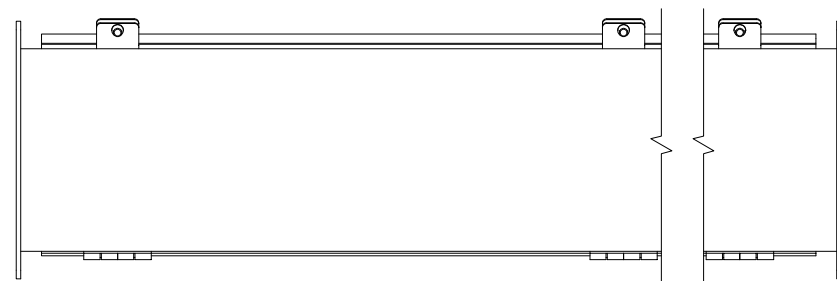
JIC SCREW  
CLAMPS  
(3 PL.)



**RIGHT SIDE VIEW**



**BACK VIEW**



**BOTTOM VIEW**

PART#: JW63  
(DATA SUBJECT TO CHANGE  
WITHOUT NOTICE)

THIS DRAWING IS PROPERTY OF HUBBELL INC.  
WIEGMANN  
ALL INFORMATION IS PROPRIETARY AND NOT TO BE  
DUPLICATED