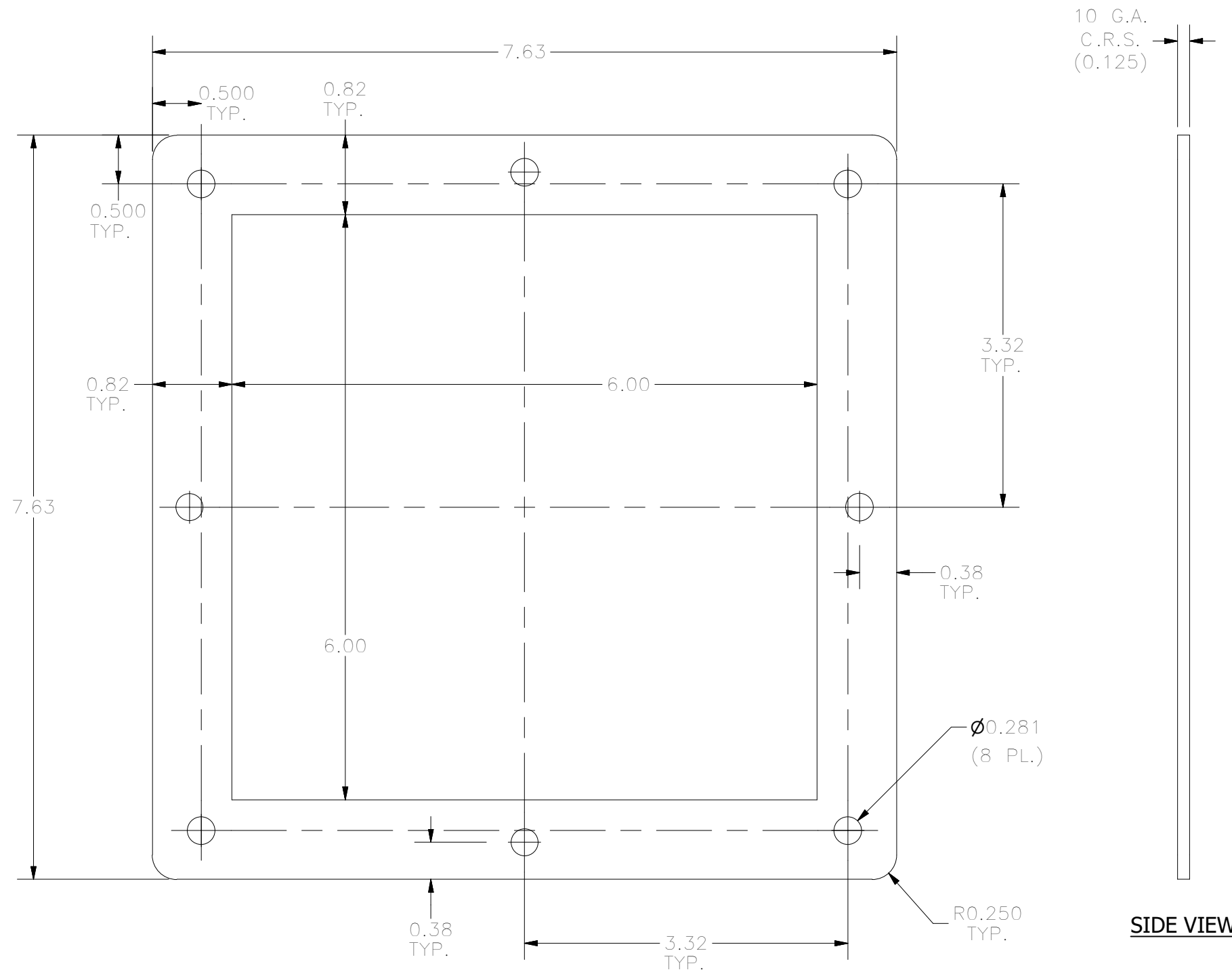
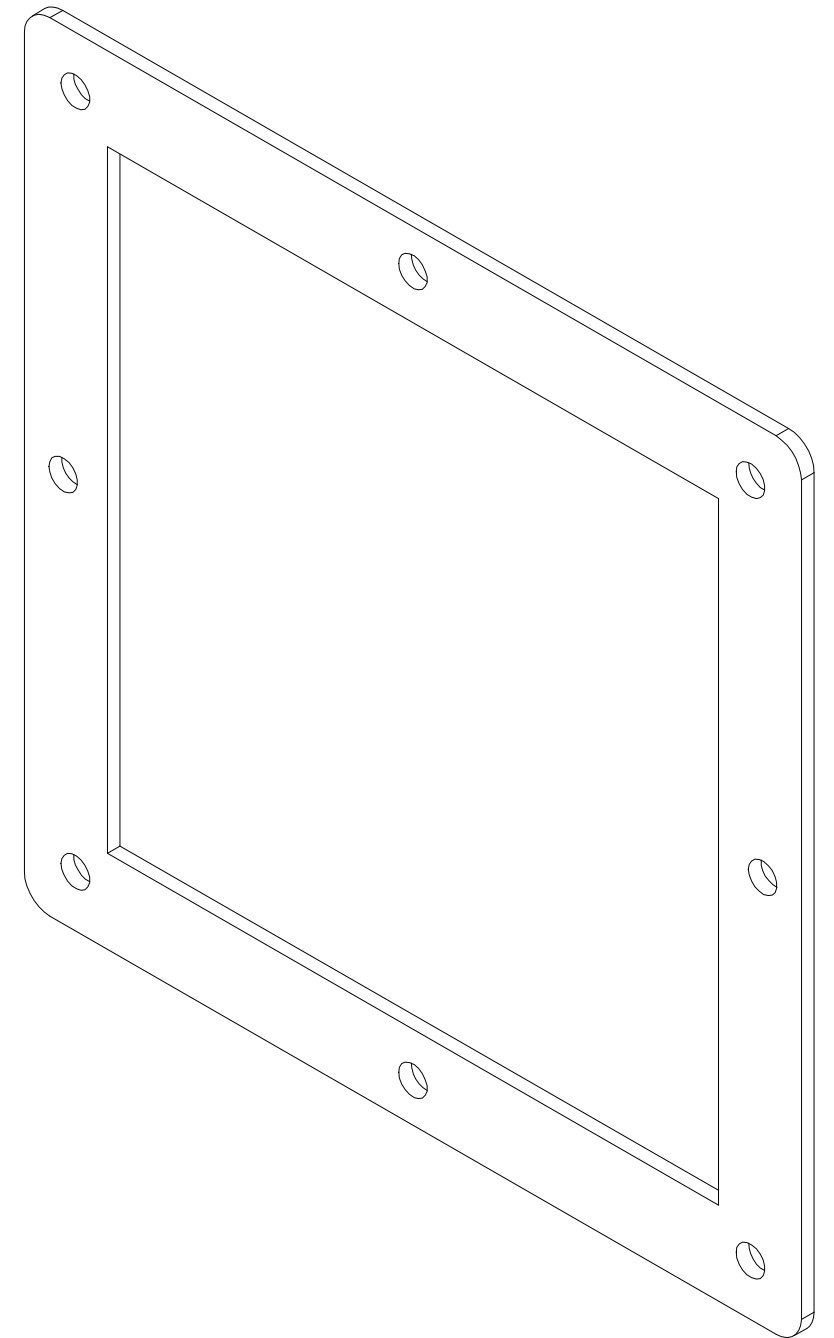


REVISION HISTORY			
REV	DESCRIPTION	BY	DATE
-			



**CLOSE PLATE FLAT PATTERN VIEW**

**SIDE VIEW**



PART#: JWA6  
 (DATA SUBJECT TO CHANGE WITHOUT NOTICE)

NOTES:

1. FABRICATED FROM 10 GA C.R.S.
2. FINISH: ANSI-61 GRAY TEXTURE POLYESTER POWDER.
3. (1) SET OF MTG. HARDWARE AND A RING GASKET ARE PACKAGED AND SHIPPED WITH FITTING

THIS DRAWING IS PROPERTY OF HUBBELL INC. WIEGMANN  
 ALL INFORMATION IS PROPRIETARY AND NOT TO BE DUPLICATED