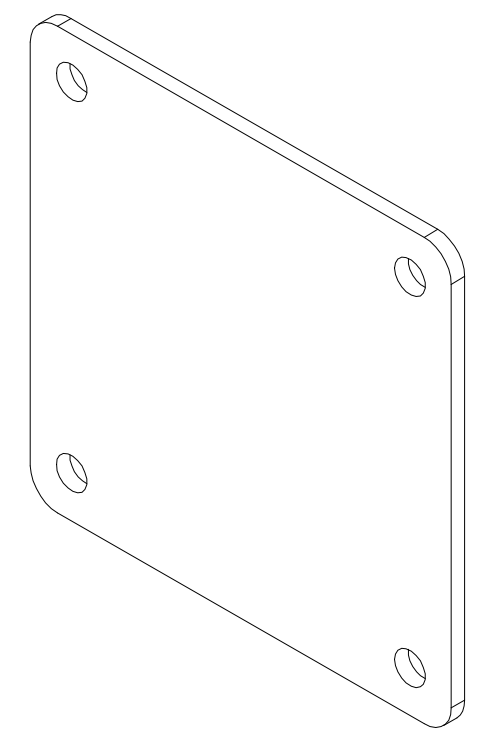
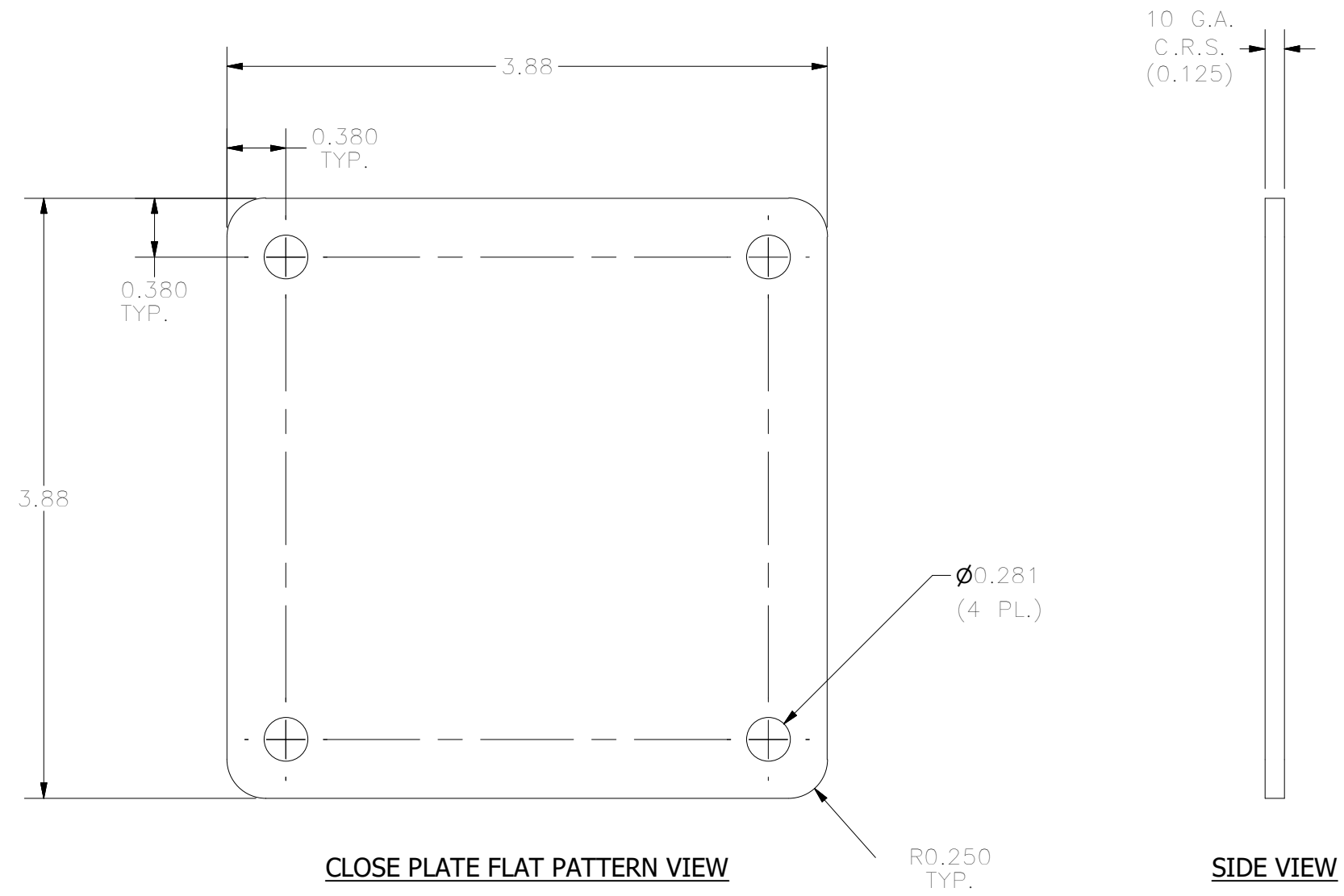


REVISION HISTORY			
REV	DESCRIPTION	BY	DATE
-			



PART#: JWE2  
 (DATA SUBJECT TO CHANGE WITHOUT NOTICE)

THIS DRAWING IS PROPERTY OF HUBBELL INC. WIEGMANN  
 ALL INFORMATION IS PROPRIETARY AND NOT TO BE DUPLICATED

NOTES:  
 1. FABRICATED FROM 10 GA C.R.S.