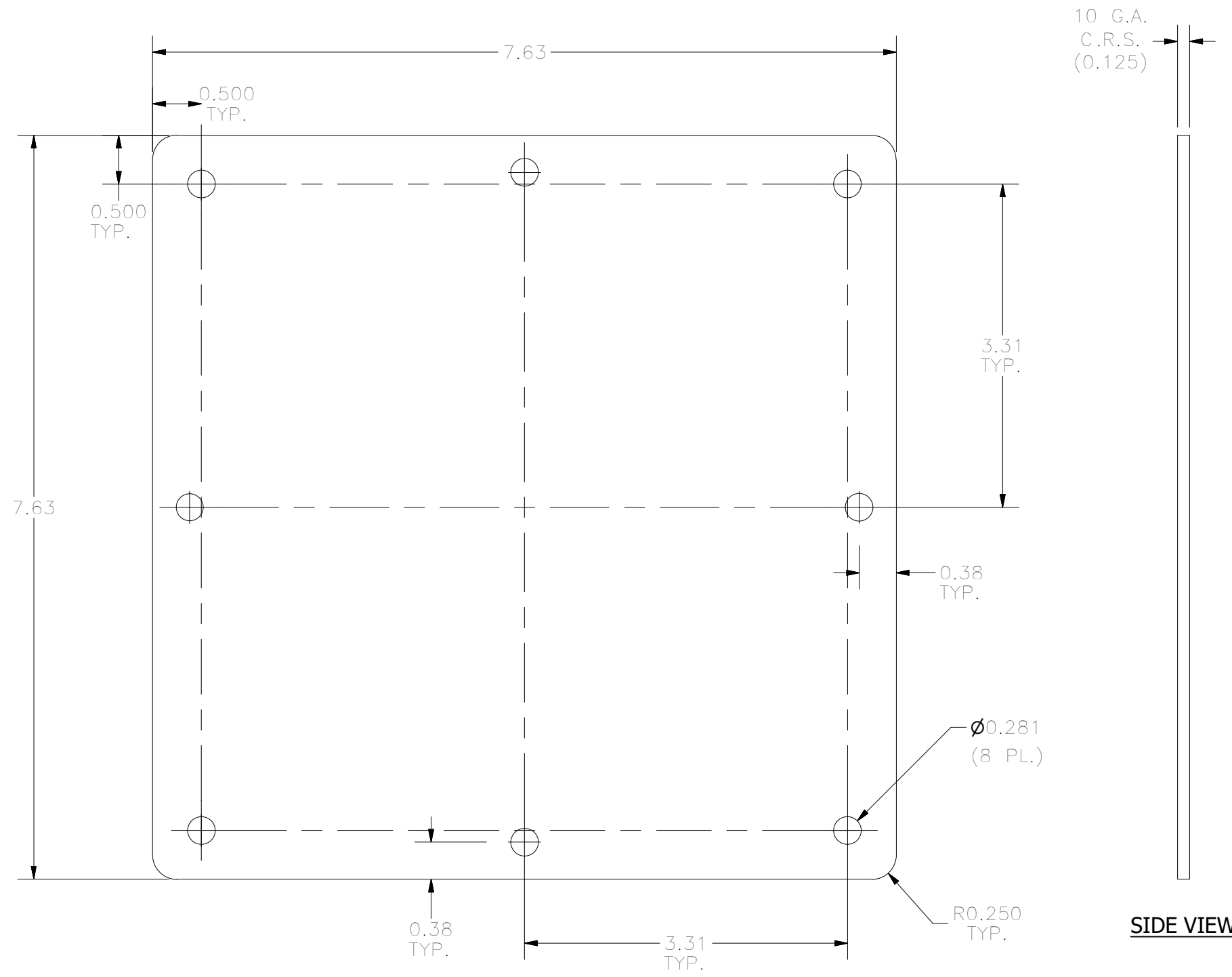
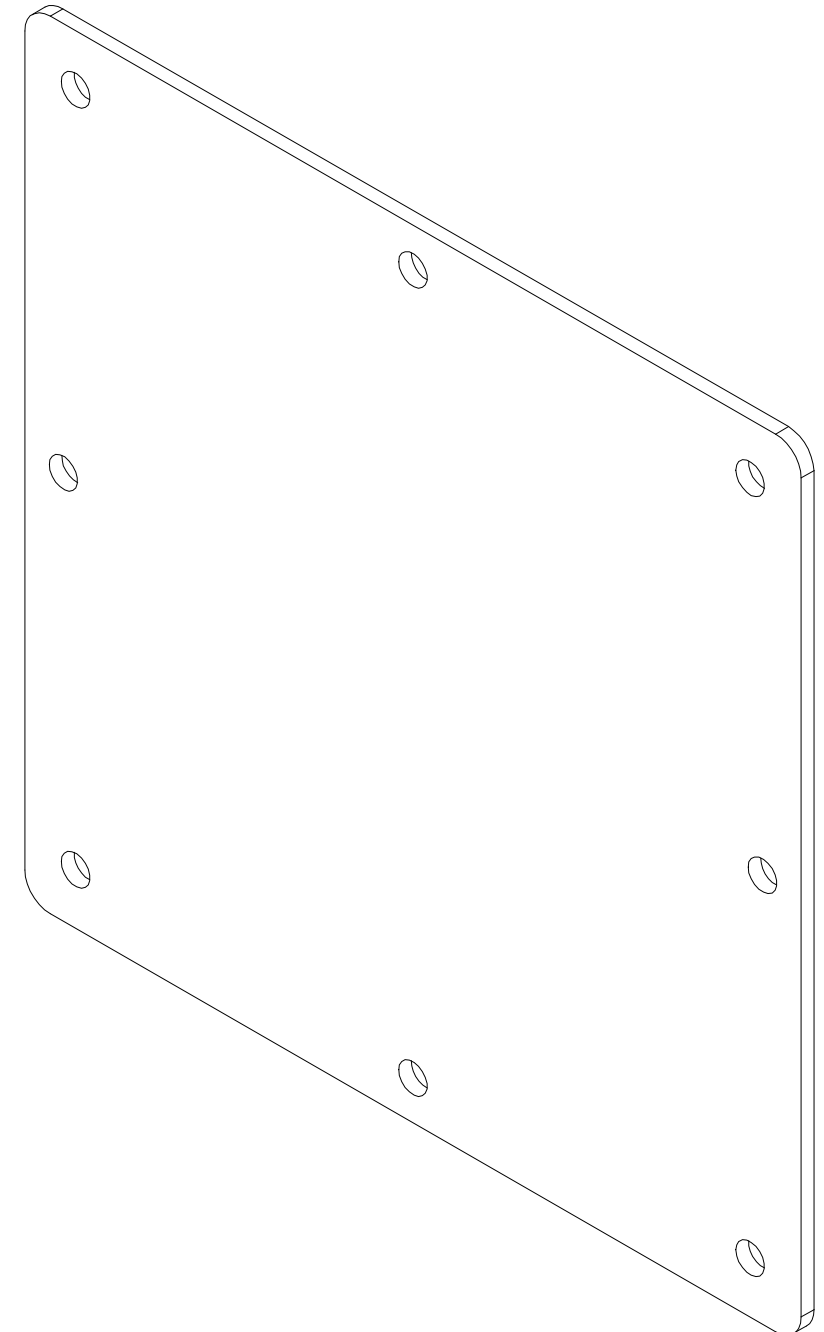


REVISION HISTORY			
REV	DESCRIPTION	BY	DATE
-			



CLOSE PLATE FLAT PATTERN VIEW

SIDE VIEW



PART#: JWE6
 (DATA SUBJECT TO CHANGE WITHOUT NOTICE)

NOTES:
 1. FABRICATED FROM 10 GA. C.R.S.

THIS DRAWING IS PROPERTY OF HUBBELL INC. WIEGMANN
 ALL INFORMATION IS PROPRIETARY AND NOT TO BE DUPLICATED