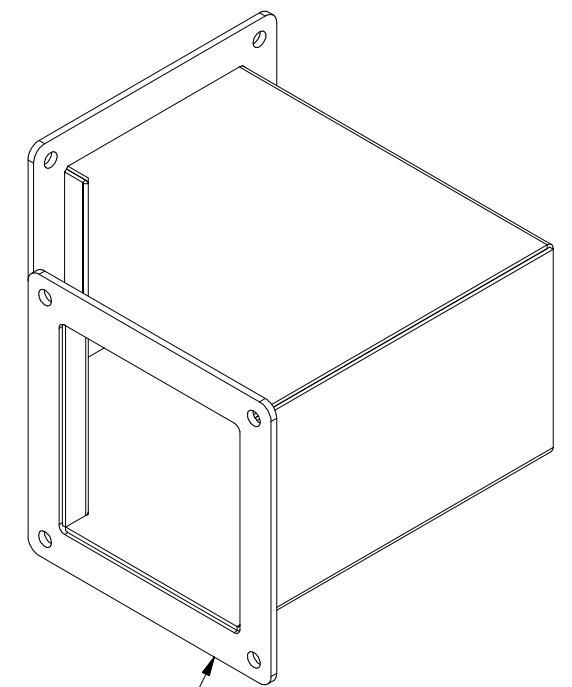
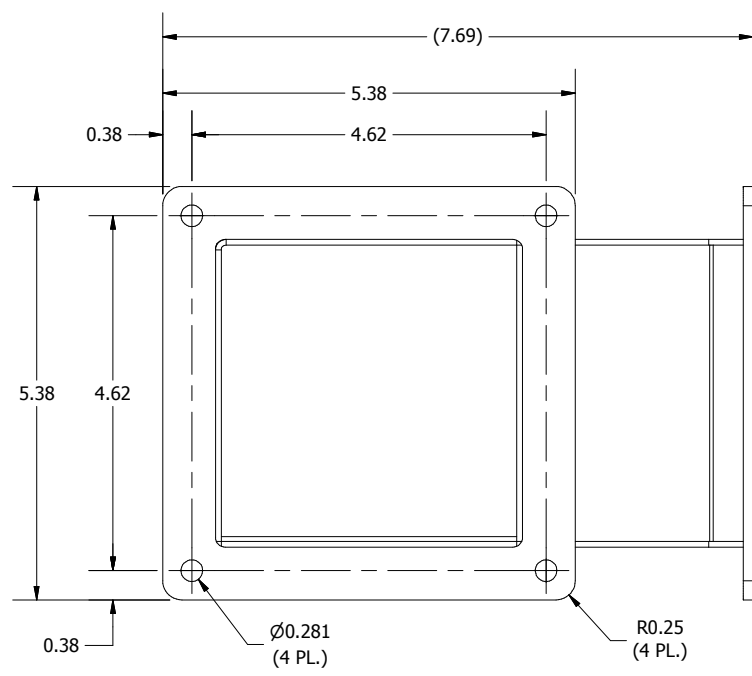


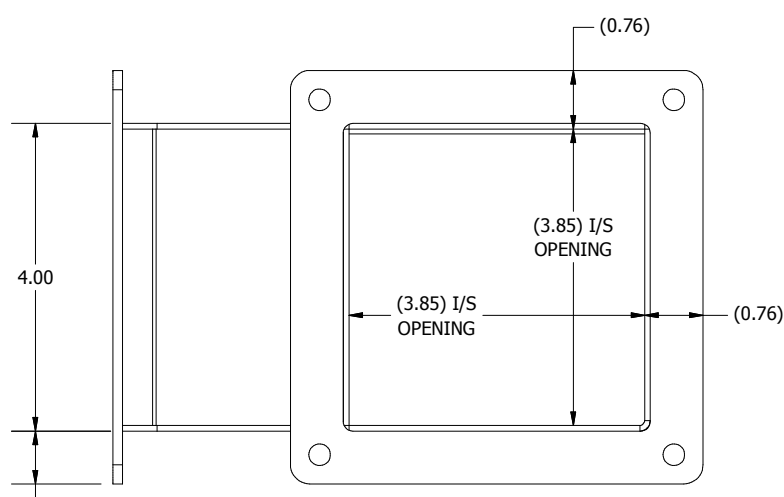
TOP VIEW



10 GA. C.R.S. WELDED ON RING (2 PL.)



RIGHT SIDE VIEW



FRONT VIEW

PART #: JWL904
(DATA SUBJECT TO CHANGE WITHOUT NOTICE)

THIS DRAWING IS PROPERTY OF HUBBELL INC. WIEGMANN
 ALL INFORMATION IS PROPRIETARY AND NOT TO BE DUPLICATED