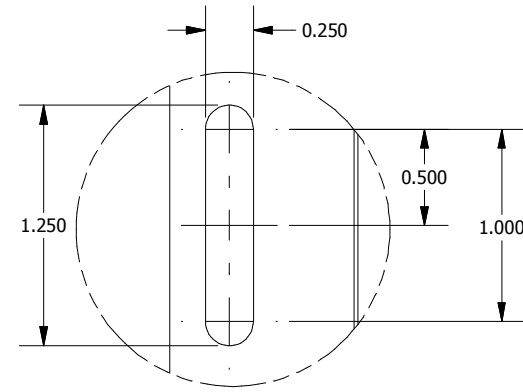
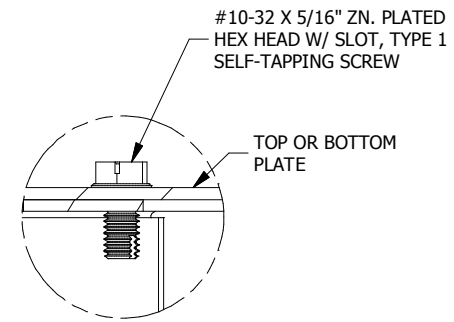


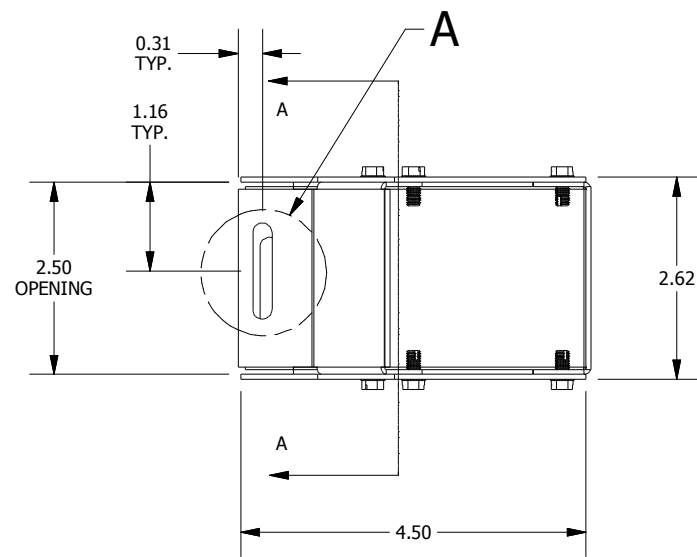
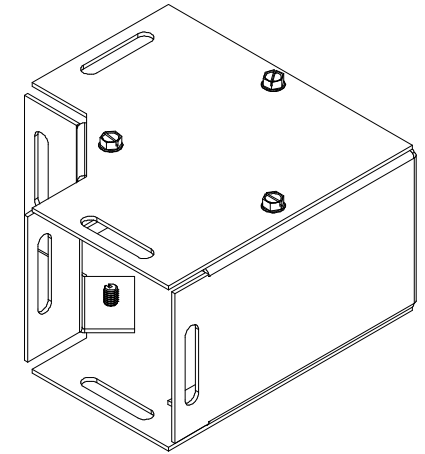
TOP VIEW



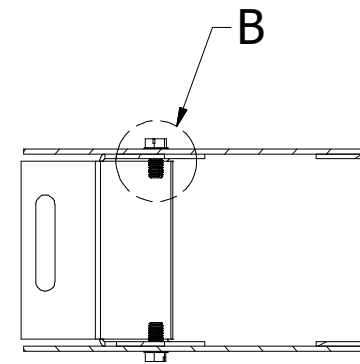
DETAIL A (8 PL.)  
(SLOT DETAIL)



DETAIL B (6 PL.)  
(ASSM. DETAIL)



FRONT VIEW



SECTION A-A  
(INSIDE VIEW OF SIDE)

PART#: L020290G  
(DATA SUBJECT TO CHANGE WITHOUT NOTICE)

THIS DRAWING IS PROPERTY OF HUBBELL INC. WIEGMANN  
ALL INFORMATION IS PROPRIETARY AND NOT TO BE DUPLICATED