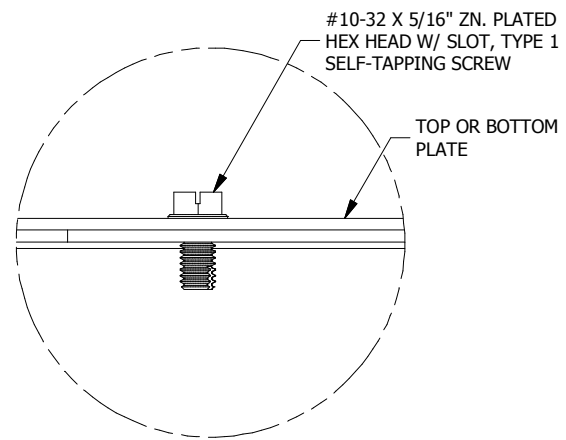
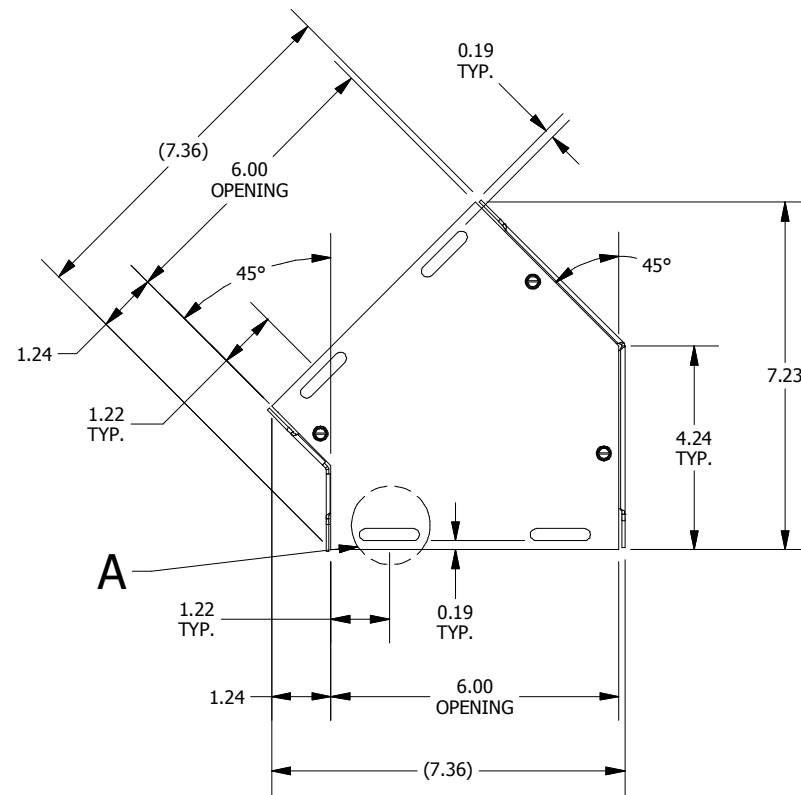


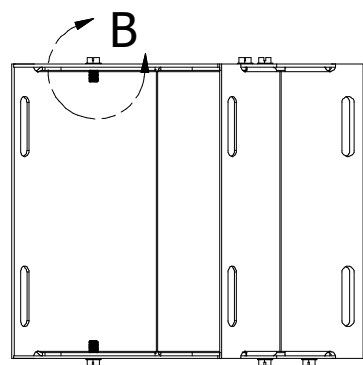
**DETAIL A (16 PL.)  
(SLOT DETAIL)**



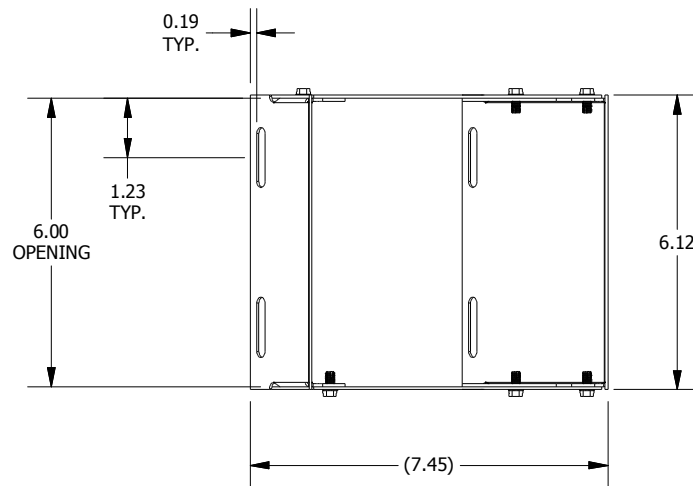
**DETAIL B (6 PL.)  
(ASSM. DETAIL)**



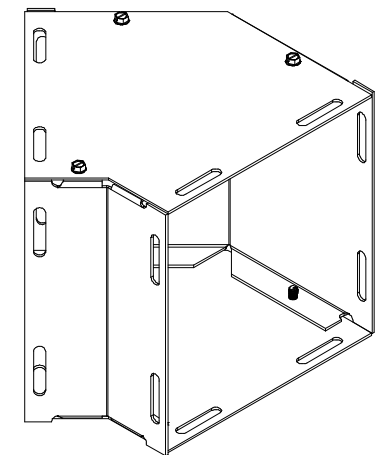
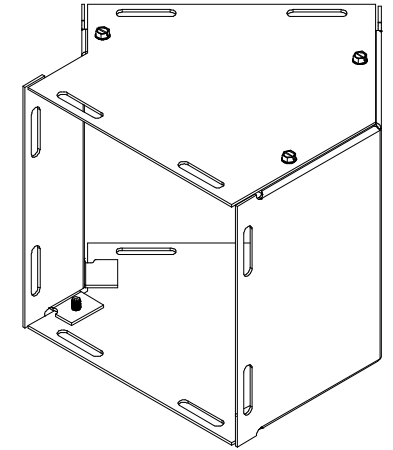
**TOP VIEW**



**SIDE VIEW**



**FRONT VIEW**



PART#: L060645  
(DATA SUBJECT TO CHANGE WITHOUT NOTICE)

THIS DRAWING IS PROPERTY OF HUBBELL INC. WIEGMANN  
ALL INFORMATION IS PROPRIETARY AND NOT TO BE DUPLICATED