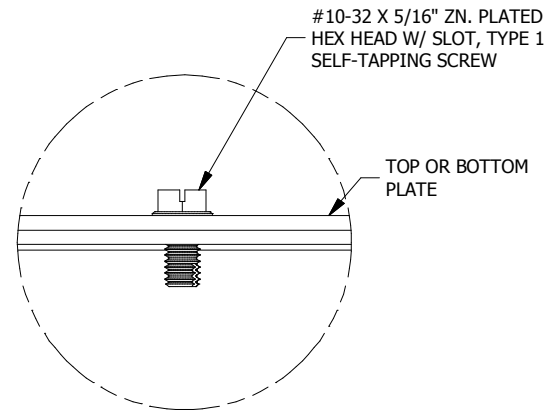
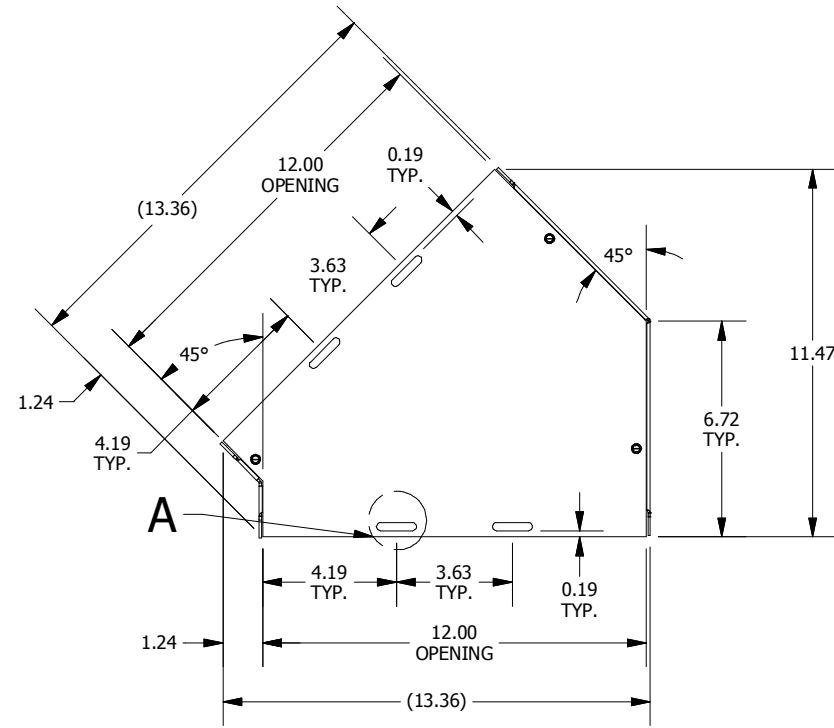


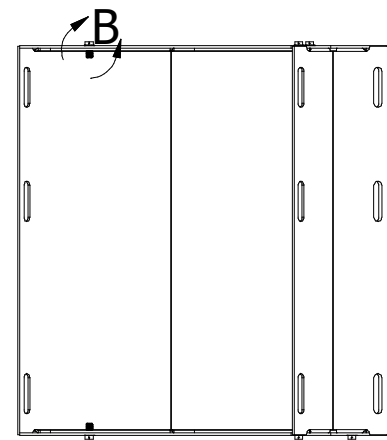
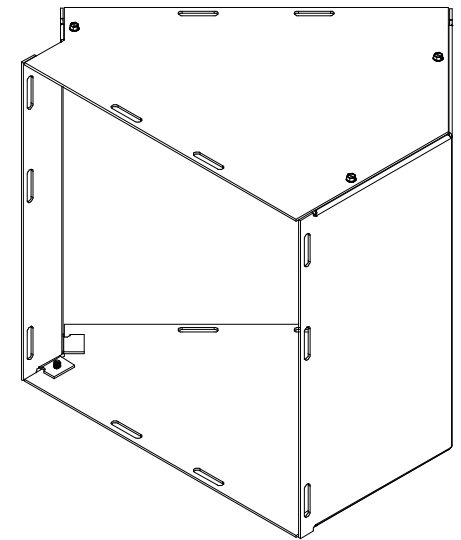
**DETAIL A (20 PL.)  
(SLOT DETAIL)**



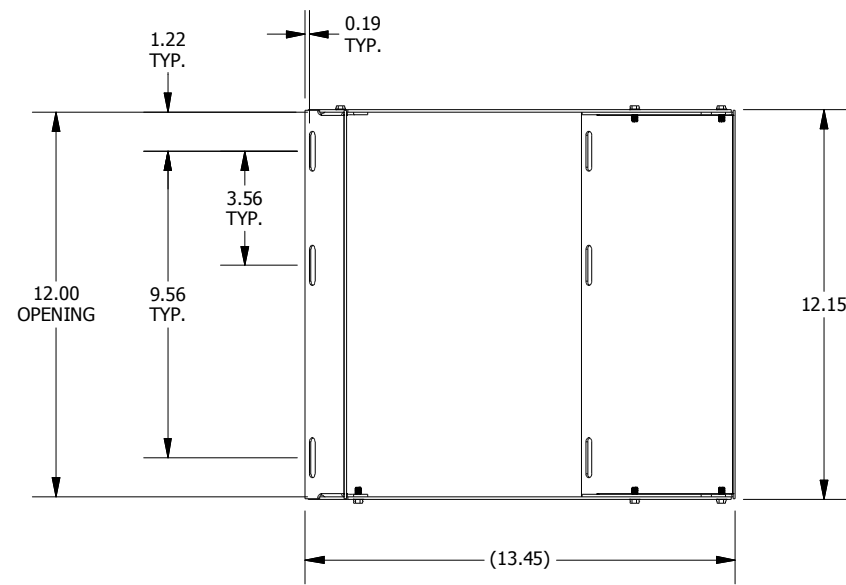
**DETAIL B (6 PL.)  
(ASSM. DETAIL)**



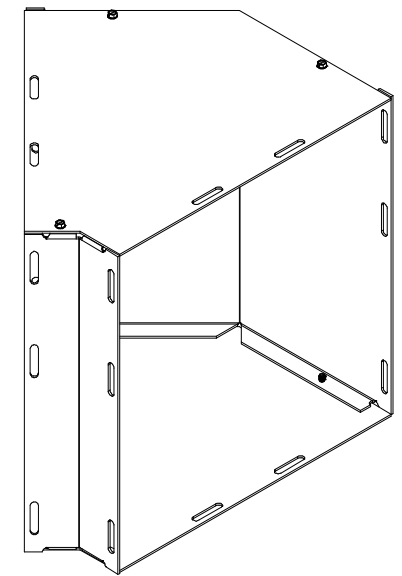
**TOP VIEW**



**SIDE VIEW**



**FRONT VIEW**



**PART#: L121245**  
 (DATA SUBJECT TO CHANGE WITHOUT NOTICE)

THIS DRAWING IS PROPERTY OF HUBBELL INC. WIEGMANN  
 ALL INFORMATION IS PROPRIETARY AND NOT TO BE DUPLICATED