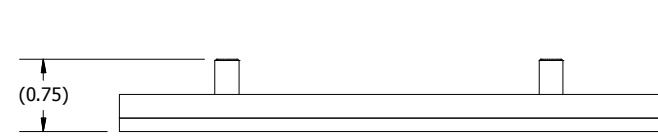
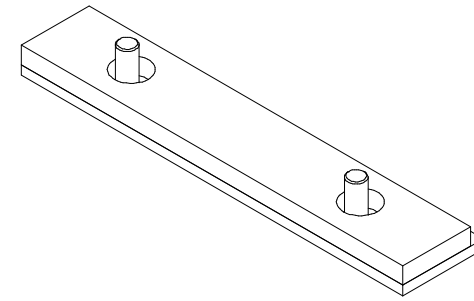
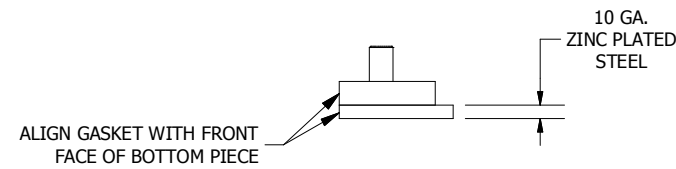


TOP VIEW

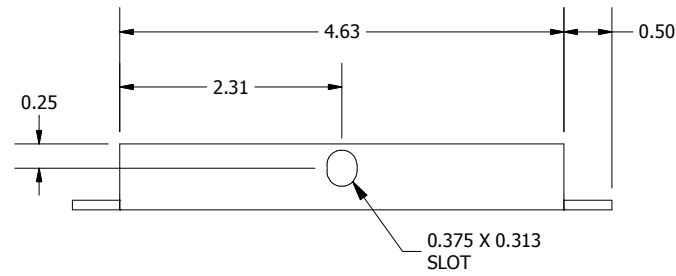


BOTTOM ASSEMBLY FRONT VIEW

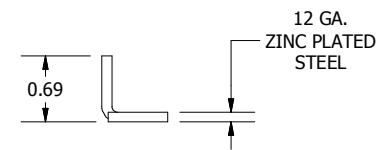
ALIGN SIDES OF GASKET WITH SIDE OF BOTTOM PIECE



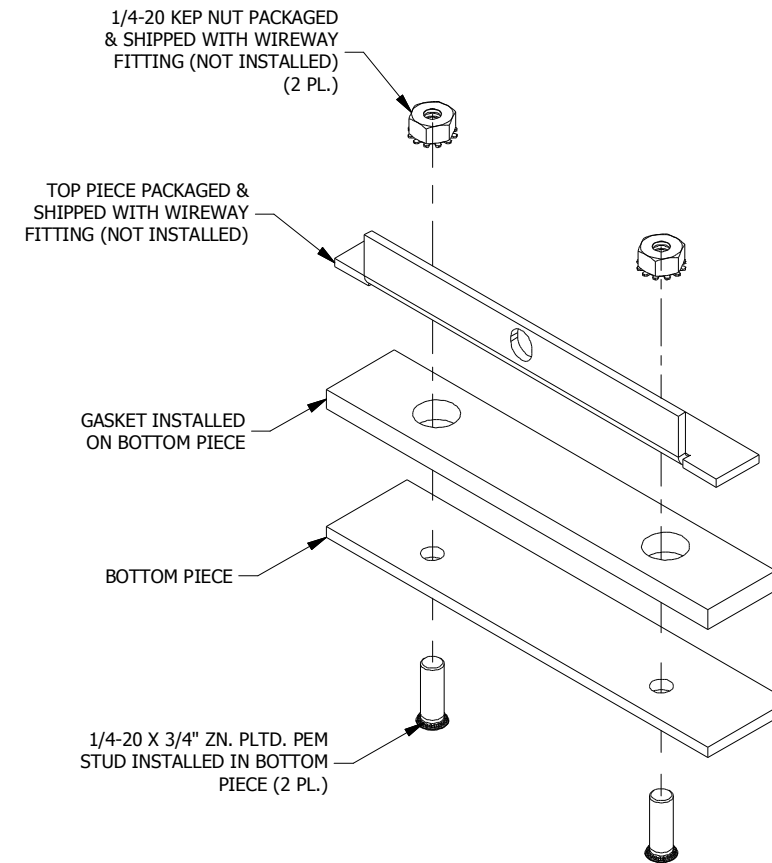
SIDE VIEW



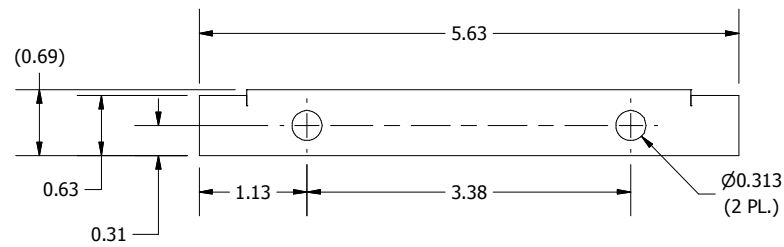
TOP PIECE FRONT VIEW



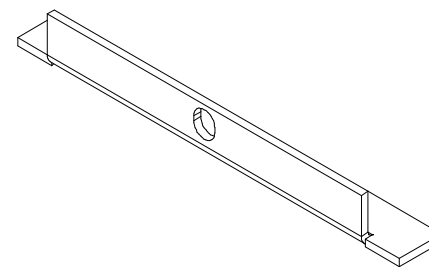
SIDE VIEW



ASSEMBLY EXPLODED VIEW



BOTTOM VIEW



PART#: LJW6ASP
 (DATA SUBJECT TO CHANGE WITHOUT NOTICE)

THIS DRAWING IS PROPERTY OF HUBBELL INC. WIEGMANN
 ALL INFORMATION IS PROPRIETARY AND NOT TO BE DUPLICATED