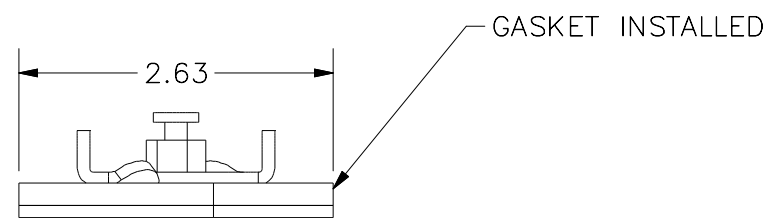
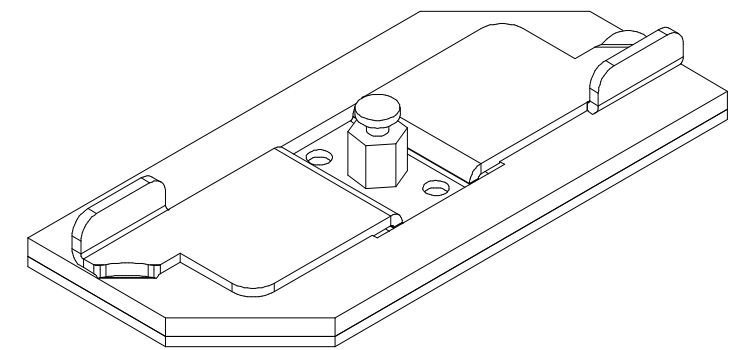


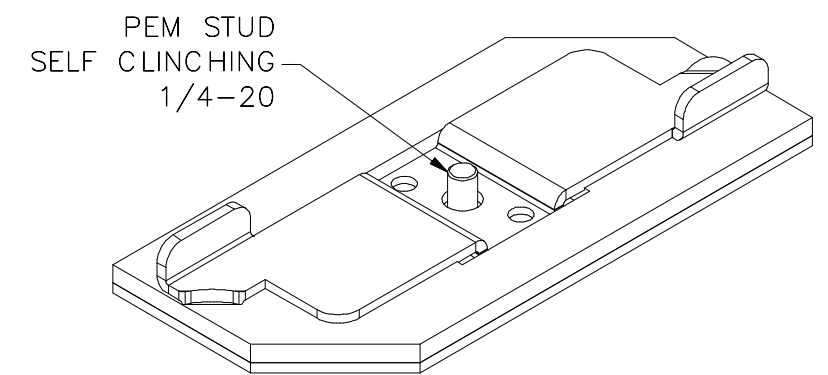
TOP VIEW



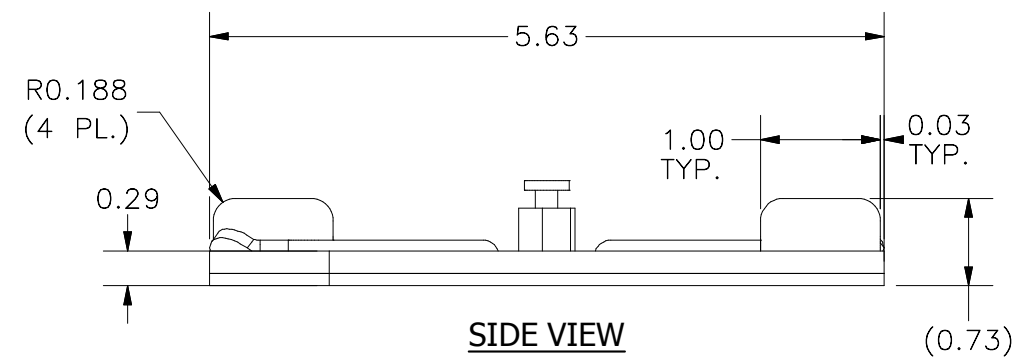
FRONT VIEW



NUT INSTALLED



NUT REMOVED



SIDE VIEW

PART#: LJW6QRSP
 (DATA SUBJECT TO CHANGE WITHOUT NOTICE)

THIS DRAWING IS PROPERTY OF HUBBELL INC. WIEGMANN
 ALL INFORMATION IS PROPRIETARY AND NOT TO BE DUPLICATED