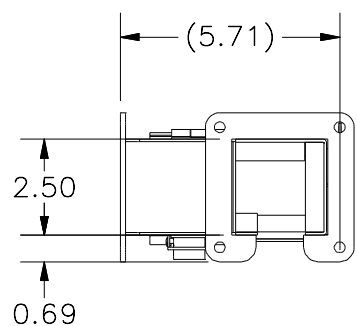
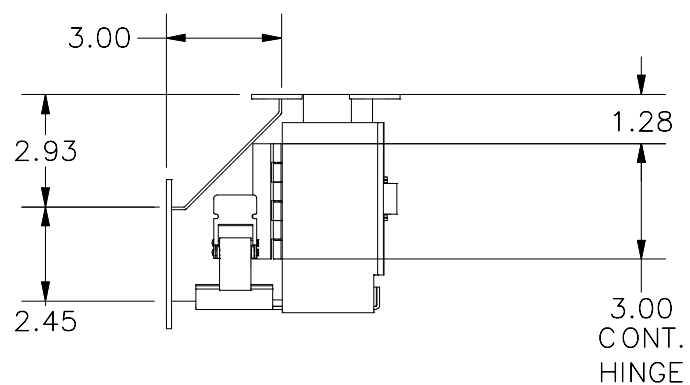


TOP VIEW

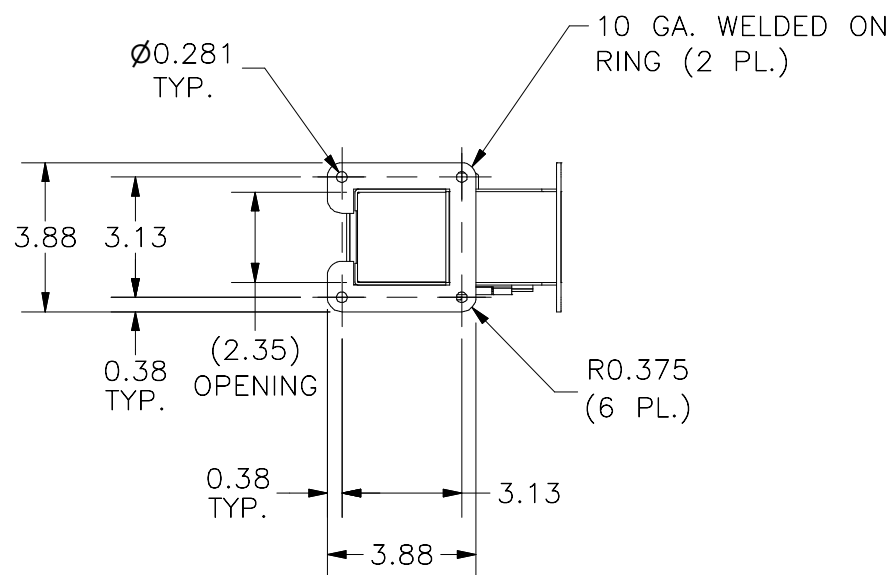
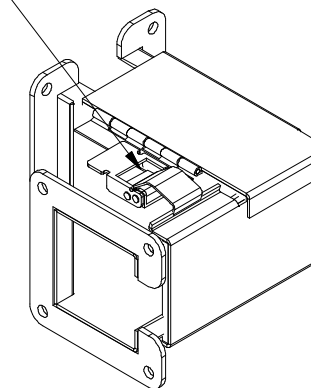


RIGHT SIDE VIEW



BOTTOM VIEW

QUICK-RELEASE  
DRAW LATCH  
(2 PL.)



FRONT VIEW

PART#: LJW902CCW  
(DATA SUBJECT TO CHANGE WITHOUT NOTICE)

THIS DRAWING IS PROPERTY OF HUBBELL INC. WIEGMANN  
ALL INFORMATION IS PROPRIETARY AND NOT TO BE DUPLICATED