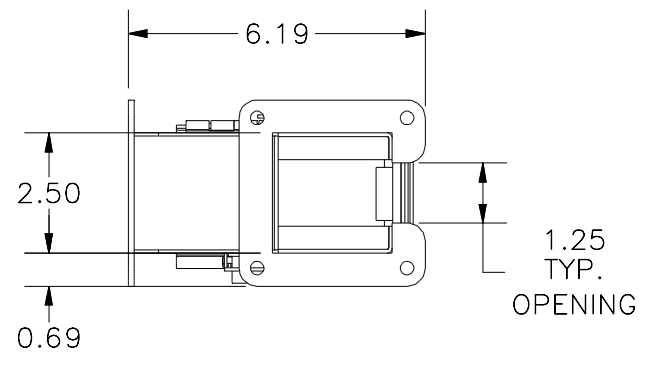
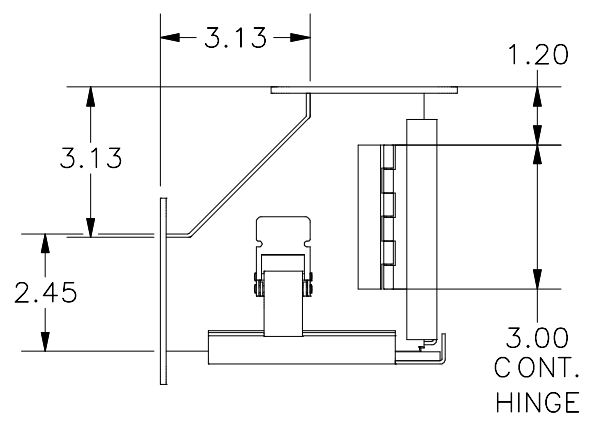


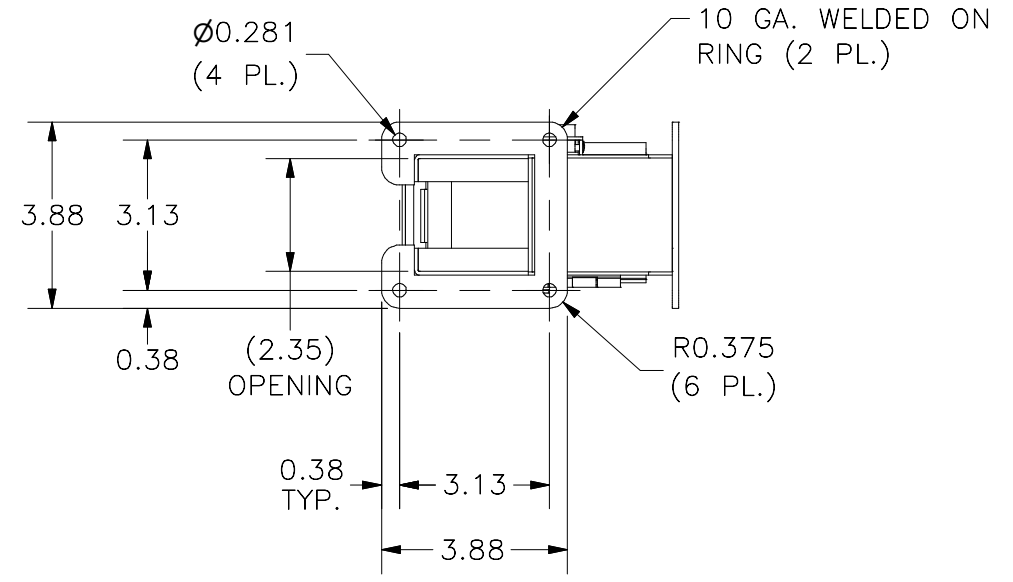
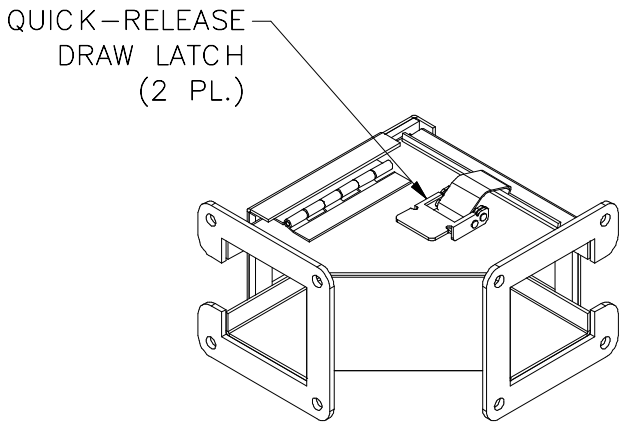
TOP VIEW



RIGHT SIDE VIEW



BOTTOM VIEW



FRONT VIEW

PART#: LJWL902C
 (DATA SUBJECT TO CHANGE WITHOUT NOTICE)

THIS DRAWING IS PROPERTY OF HUBBELL INC. WIEGMANN
 ALL INFORMATION IS PROPRIETARY AND NOT TO BE DUPLICATED