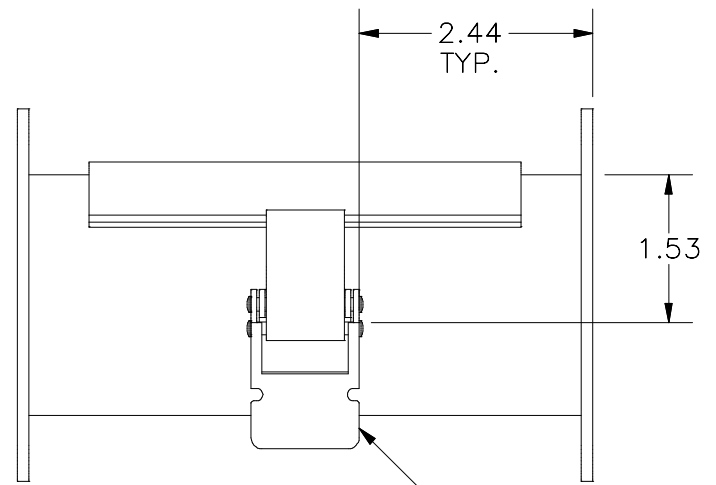
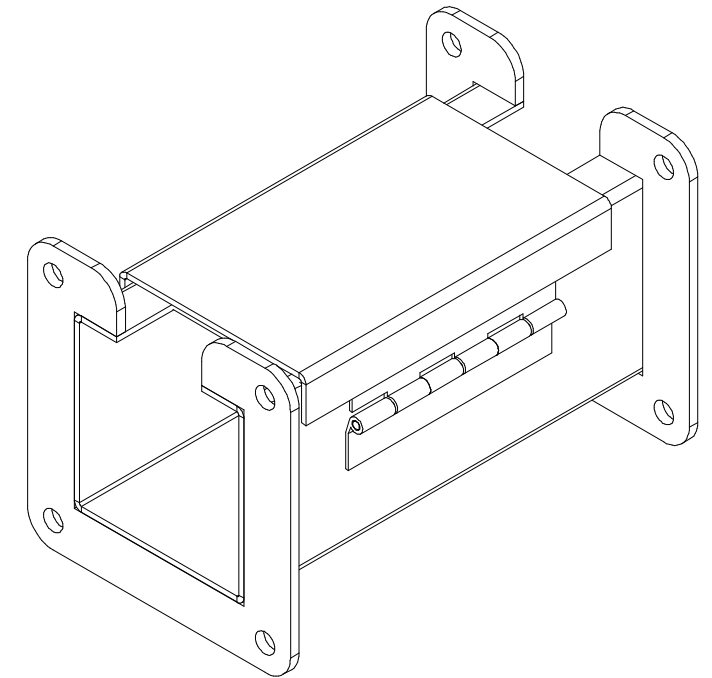


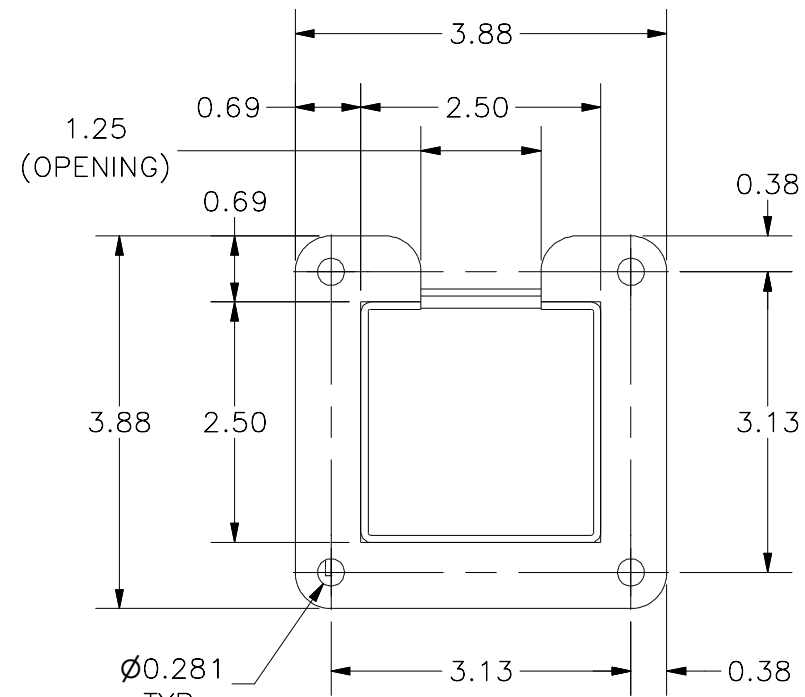
10 GA.
C.R.S.
(0.13)

TOP VIEW

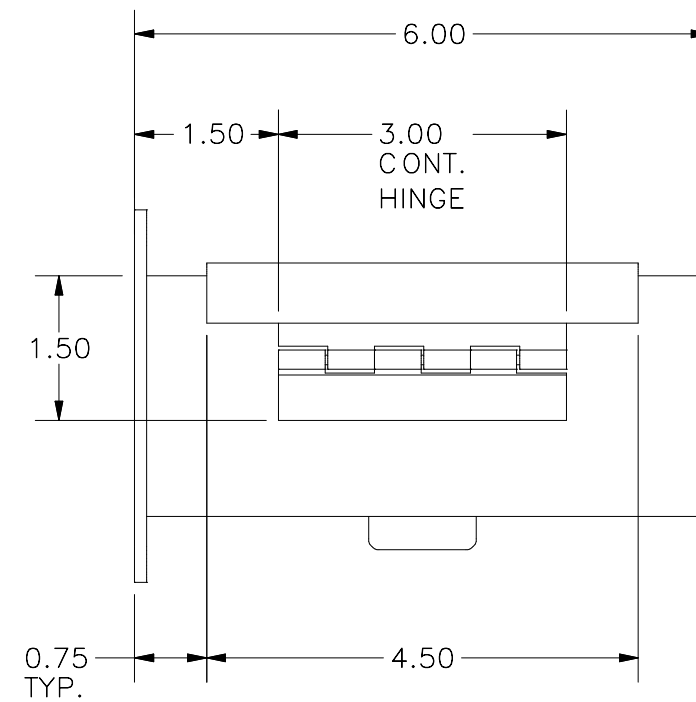


QUICK-RELEASE
DRAW LATCH

LEFT SIDE VIEW



FRONT VIEW



SIDE VIEW

PART#: LJWN226
(DATA SUBJECT TO CHANGE WITHOUT NOTICE)

THIS DRAWING IS PROPERTY OF HUBBELL INC. WIEGMANN
ALL INFORMATION IS PROPRIETARY AND NOT TO BE DUPLICATED