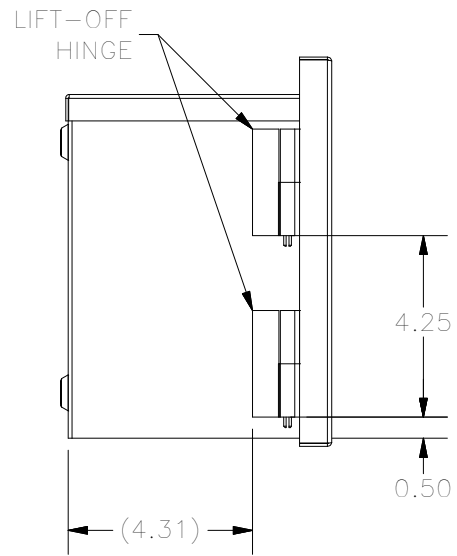
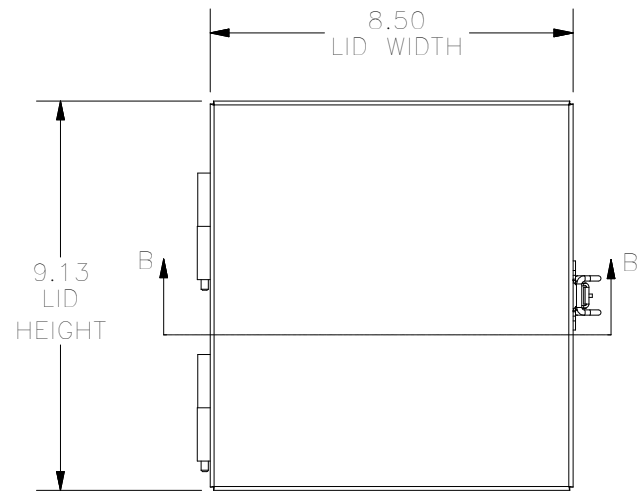


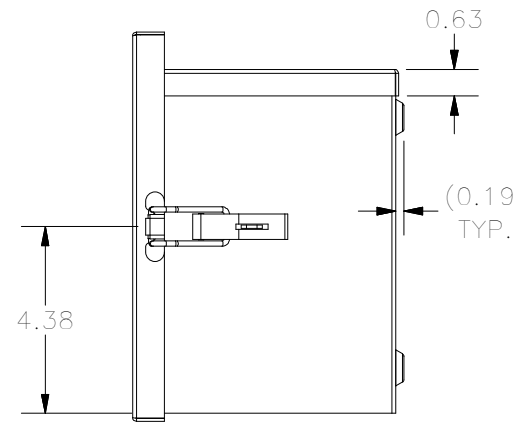
**TOP VIEW**



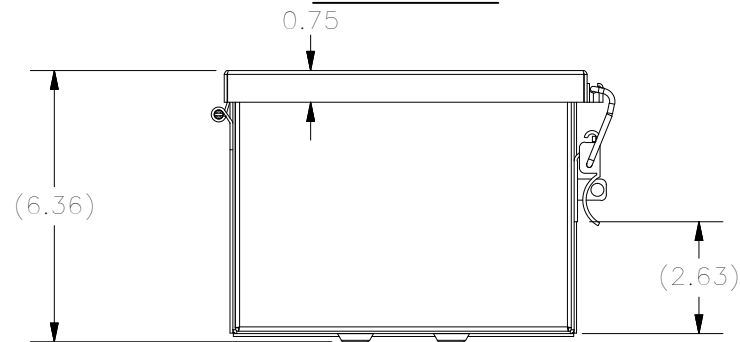
**LEFT SIDE VIEW**



**FRONT VIEW**

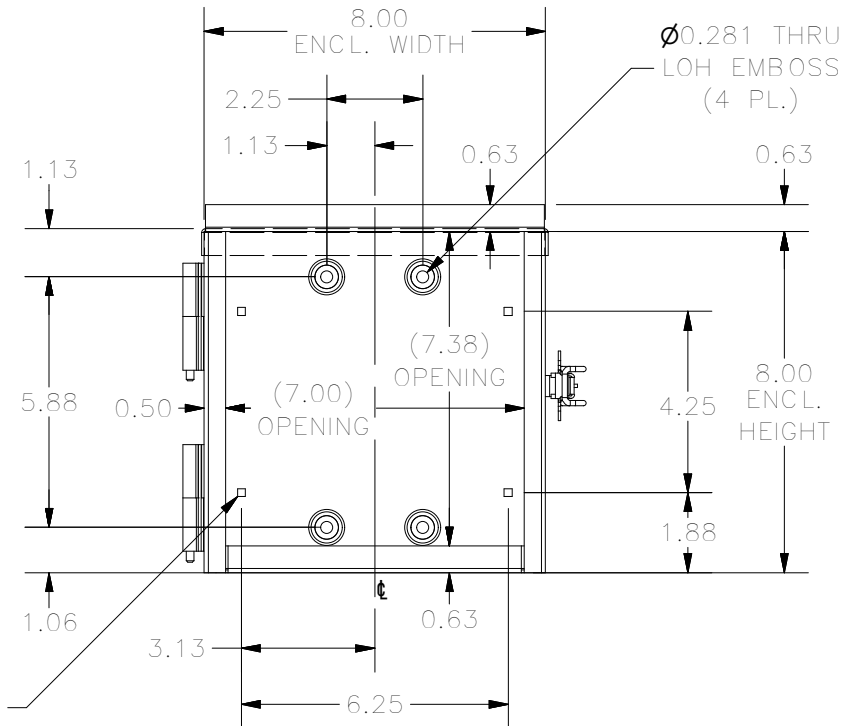
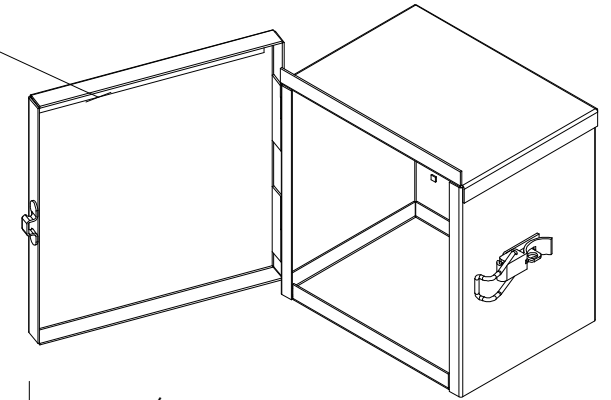


**RIGHT SIDE VIEW**

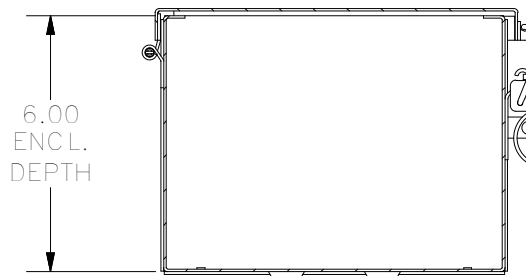


**BOTTOM VIEW**

5/8" X 1/8" NEOPRENE STRIP GASKET APPLIED TO INSIDE TOP FACE OF LID TO REDUCE RATTLE (1 FT.)



**FRONT VIEW (DOOR REMOVED)**



**SECTION B-B  
(INSIDE VIEW OF TOP)**

0.188 X 0.188 SQUARE EMBOSS (EMBOSS TO PROTRUDE INSIDE ENCL. (0.03")) (4 PL.)

PART#: LOH080806

(DATA SUBJECT TO CHANGE WITHOUT NOTICE)

THIS DRAWING IS PROPERTY OF HUBBELL INC. WIEGMANN  
ALL INFORMATION IS PROPRIETARY AND NOT TO BE DUPLICATED