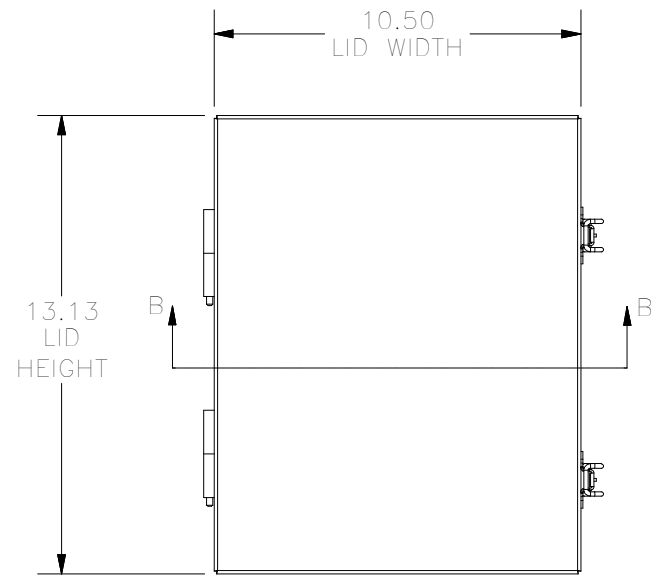
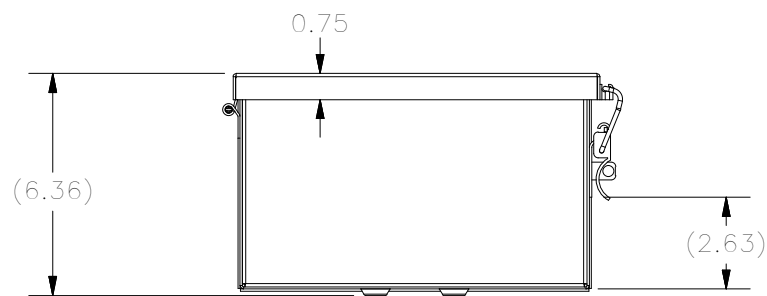


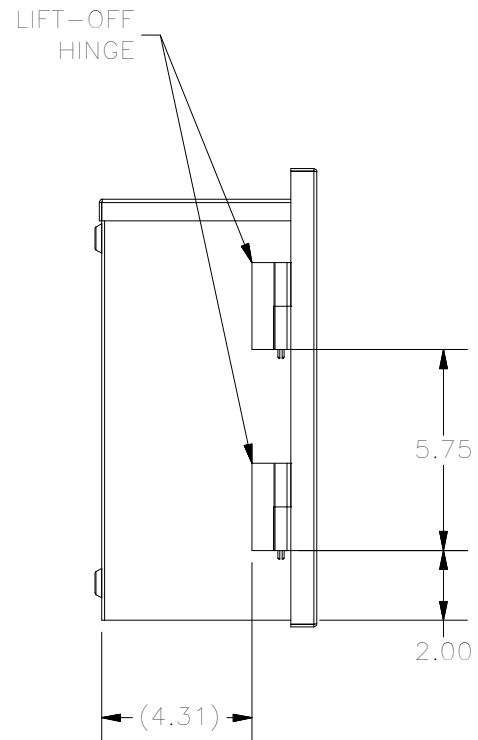
TOP VIEW



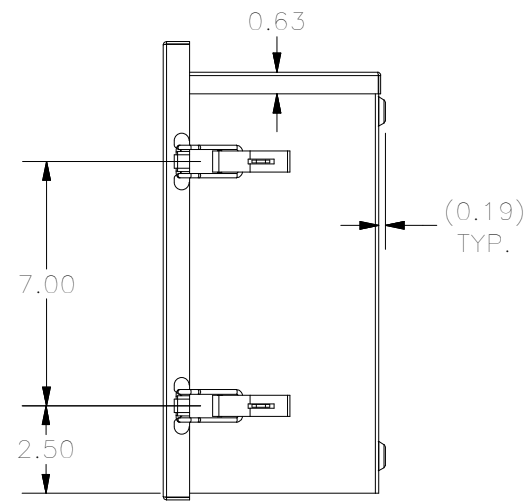
FRONT VIEW



BOTTOM VIEW

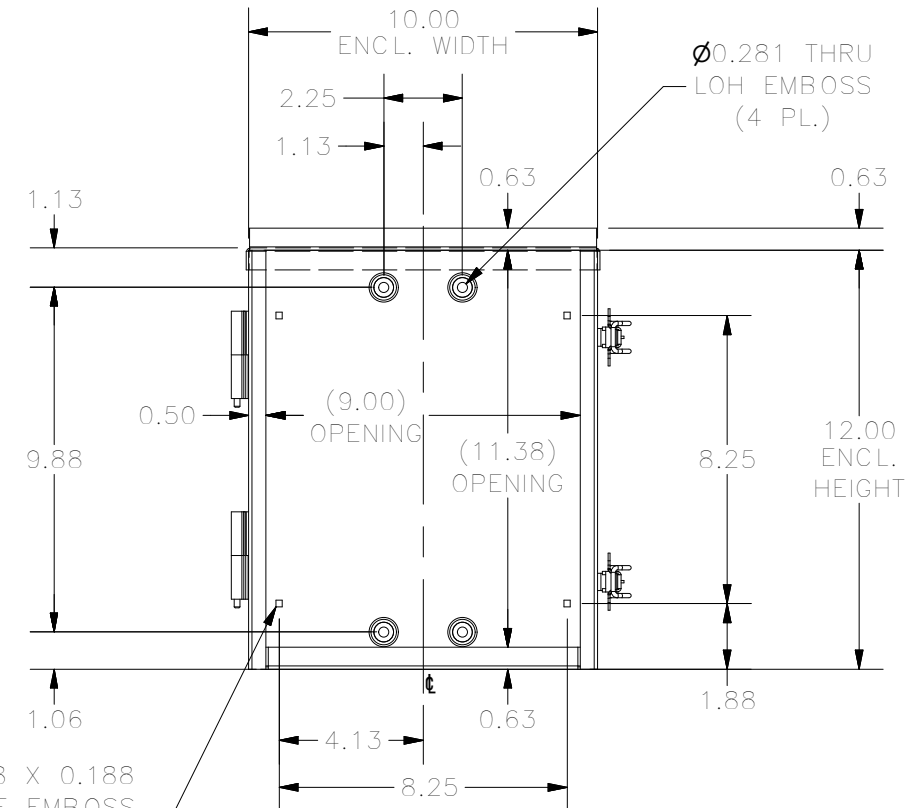
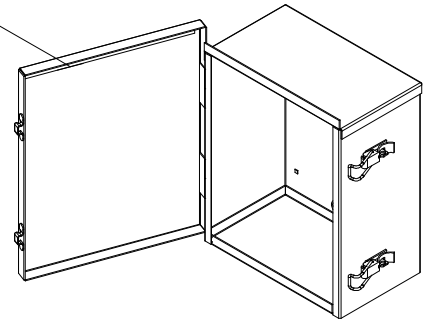


LEFT SIDE VIEW



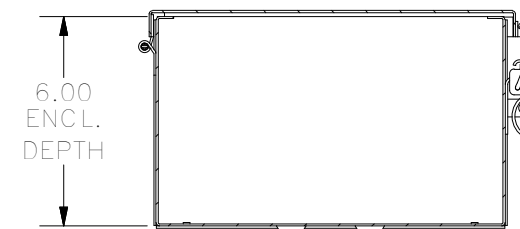
RIGHT SIDE VIEW

5/8" X 1/8" NEOPRENE STRIP GASKET APPLIED TO INSIDE TOP FACE OF LID TO REDUCE RATTLE (1 FT.)



FRONT VIEW (DOOR REMOVED)

0.188 X 0.188 SQUARE EMBOSS (EMBOSS TO PROTRUDE INSIDE ENCL. (0.03")) (4 PL.)



SECTION B-B (INSIDE VIEW OF TOP)

PART#: LOH121006
(DATA SUBJECT TO CHANGE WITHOUT NOTICE)

THIS DRAWING IS PROPERTY OF HUBBELL INC. WIEGMANN
ALL INFORMATION IS PROPRIETARY AND NOT TO BE DUPLICATED